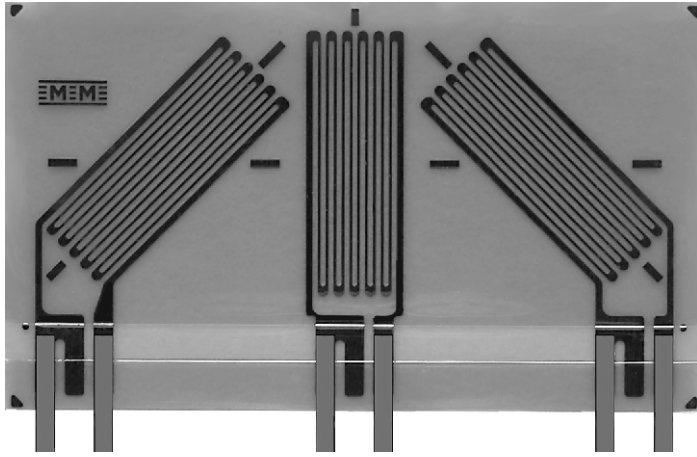
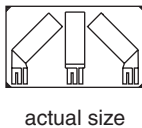





## General Purpose Strain Gages - Rectangular Rosette

<b>GAGE PATTERN DATA</b>								
			<b>GAGE DESIGNATION</b>  See Note 1	<b>RESISTANCE (OHMS)</b>  L2A-XX-250LR-120    120 ± 0.6% L2A-XX-250LR-350    350 ± 0.6% C2A-XX-250LR-120    120 ± 0.6% C2A-XX-250LR-350    350 ± 0.6%	<b>OPTIONS AVAILABLE</b>			
 <p style="text-align: center;">actual size</p>			<b>DESCRIPTION</b>  General-purpose 45° rectangular single-plane rosette.		 <b>RoHS COMPLIANT</b>			
<b>GAGE DIMENSIONS</b>								
			Legend:    ES = Each Section S = Section (S1 = Sec 1)	CP = Complete Pattern M = Matrix		<table border="1" style="margin: auto;"> <tr><td style="padding: 2px;">inch</td></tr> <tr><td style="padding: 2px;">millimeter</td></tr> </table>	inch	millimeter
inch								
millimeter								
Gage Length	Overall Length	Grid Width	Overall Width	Matrix Length	Matrix Width			
0.250	0.373	0.100	0.655	0.420	0.715			
6.35	9.47	2.54	16.64	10.67	18.16			
<b>GAGE SERIES DATA</b>								
See Gage Series data sheet for complete specifications.								
Series	Description	Strain Range	Temperature Range					
L2A	Encapsulated constantan gages with preattached ribbon leads.	±3%	-100° to +250°F [-75° to +120°C]					
C2A	Encapsulated constantan gages with preattached ready-to-use cables.	±3%	-60° to +180°F [-50° to +80°C]					
<div style="display: flex; justify-content: space-around; align-items: center;"> <div style="text-align: center;">  <p>Example of an L2A Construction</p> </div> <div style="text-align: center;">  <p>Example of a C2A Construction</p> </div> </div>								

**Note 1:** Insert desired S-T-C number in spaces marked XX.



## Disclaimer

All product specifications and data are subject to change without notice.

Vishay Intertechnology, Inc., its affiliates, agents, and employees, and all persons acting on its or their behalf (collectively, "Vishay"), disclaim any and all liability for any errors, inaccuracies or incompleteness contained herein or in any other disclosure relating to any product.

Vishay disclaims any and all liability arising out of the use or application of any product described herein or of any information provided herein to the maximum extent permitted by law. The product specifications do not expand or otherwise modify Vishay's terms and conditions of purchase, including but not limited to the warranty expressed therein, which apply to these products.

No license, express or implied, by estoppel or otherwise, to any intellectual property rights is granted by this document or by any conduct of Vishay.

The products shown herein are not designed for use in medical, life-saving, or life-sustaining applications unless otherwise expressly indicated. Customers using or selling Vishay products not expressly indicated for use in such applications do so entirely at their own risk and agree to fully indemnify Vishay for any damages arising or resulting from such use or sale. Please contact authorized Vishay personnel to obtain written terms and conditions regarding products designed for such applications.

Product names and markings noted herein may be trademarks of their respective owners.