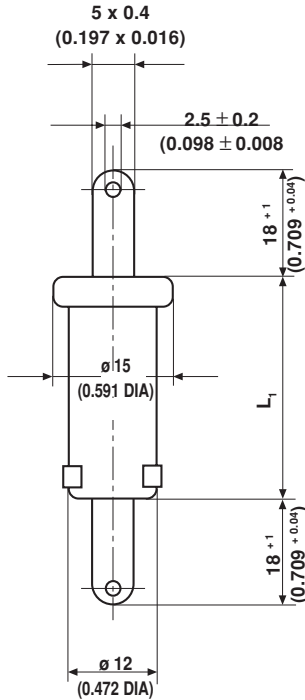
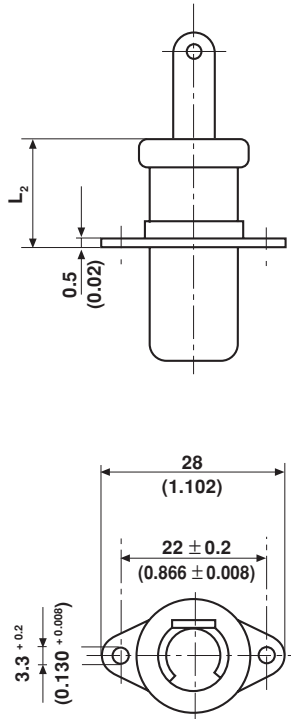


Tubular Capacitors, Tag Mounting

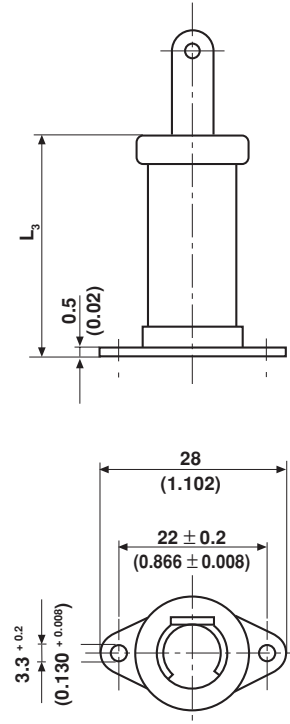
RA 012085 2KV_p
RA 012020 2KV_p



RB 012085 2KV_p
RB 012020 2KV_p



RE 012085 2KV_p
RE 012020 2KV_p



• Dimensions in millimeters (inches)

| MODEL | RA 012085 RE 012085 | RA 012020 RB 012020 RE 012020 |
|-----------------------|----------------------------------|-------------------------------------|
| Length L ₁ | 8.5 (0.335) | 20 (0.787) |
| Length L ₂ | Model RB 012085 is not available | 10 ± 1 (0.394 ± 0.039) |
| Length L ₃ | 10 ± 1 (0.394 ± 0.039) | 22 ± 1 (0.866 ± 0.039) |

MATERIAL:

Capacitor elements made from Class 1 ceramic dielectric with noble metal electrodes.
 Connection terminals: Copper/brass, silver plated.

MARKING:

Type designator, Capacitance value and tolerance, Rated voltage (peak value), Production date code, Ceramic material code, DRALORIC Logo

FINISH:

Capacitor body completely laquered.

| ORDERING INFORMATION | | | | |
|----------------------|------------------|-------------------|-----------|---------|
| RA 012085 | 2KV _p | 100pF | ± 10% | R 85 |
| MODEL | RATED VOLTAGE | CAPACITANCE VALUE | TOLERANCE | CERAMIC |



| R. 012085 | | | | |
|------------------|------------------------|----------------------------------|---------------------------------|-----------------------------------|
| CERAMIC | CAPACITANCE VALUE [pF] | RATED VOLTAGE [KV _p] | RATED POWER [KVA _r] | RATED CURRENT [A _{RMS}] |
| R 7 | 3 | 2 | 0.7 | 4 |
| | 4 | | | |
| | 5 | | | |
| | 6 | | | |
| | 8 | | | |
| R 42 | 10 | 2 | 0.8 | 4 |
| | 16 | | | |
| | 20 | | | |
| R 85 | 25 | 2 | 0.8 | 4 |
| | 30 | | | |
| | 40 | | | |
| | 50 | | | |
| | 60 | | | |
| | 80 | | | |
| | 100 | | | |

CAPACITANCE TOLERANCES: < 10pF: ± 2pF, ± 1pF, ± 0.5pF
 ≥10pF: ± 20%, ± 10%, ± 5%

Other capacitance values and tolerances are available on request.

| R. 012020 | | | | |
|------------------|------------------------|----------------------------------|---------------------------------|-----------------------------------|
| CERAMIC | CAPACITANCE VALUE [pF] | RATED VOLTAGE [KV _p] | RATED POWER [KVA _r] | RATED CURRENT [A _{RMS}] |
| R 7 | 10 | 2 | 1.4 | 4 |
| | 12 | | | |
| | 16 | | | |
| | 20 | | | |
| | 25 | | | |
| R 42 | 30 | 2 | 1.7 | 4 |
| | 40 | | | |
| | 50 | | | |
| | 60 | | | |
| R 85 | 80 | 2 | 1.7 | 4 |
| | 100 | | | |
| | 120 | | | |
| | 160 | | | |
| | 200 | | | |
| | 250 | | | |
| | 300 | | | |
| | 400 | | | |

CAPACITANCE TOLERANCES: ± 20%, ± 10%, ± 5%

Other capacitance values and tolerances are available on request.



Disclaimer

All product specifications and data are subject to change without notice.

Vishay Intertechnology, Inc., its affiliates, agents, and employees, and all persons acting on its or their behalf (collectively, "Vishay"), disclaim any and all liability for any errors, inaccuracies or incompleteness contained herein or in any other disclosure relating to any product.

Vishay disclaims any and all liability arising out of the use or application of any product described herein or of any information provided herein to the maximum extent permitted by law. The product specifications do not expand or otherwise modify Vishay's terms and conditions of purchase, including but not limited to the warranty expressed therein, which apply to these products.

No license, express or implied, by estoppel or otherwise, to any intellectual property rights is granted by this document or by any conduct of Vishay.

The products shown herein are not designed for use in medical, life-saving, or life-sustaining applications unless otherwise expressly indicated. Customers using or selling Vishay products not expressly indicated for use in such applications do so entirely at their own risk and agree to fully indemnify Vishay for any damages arising or resulting from such use or sale. Please contact authorized Vishay personnel to obtain written terms and conditions regarding products designed for such applications.

Product names and markings noted herein may be trademarks of their respective owners.