

Ceramic Pulse Disc Capacitors, Class 1

DESIGN:

Disc capacitor with epoxy coating

RATED VOLTAGE U_R :

25kV_{DC}

DIELECTRIC STRENGTH BETWEEN LEADS:

Component test
35 kV_{DC} 5s

DISSIPATION FACTOR $\tan \delta$:

$\leq 5 \cdot 10^{-3}$

INSULATION RESISTANCE R_{IS} :

$\geq 1 \cdot 10^{10} \Omega$

MARKING:

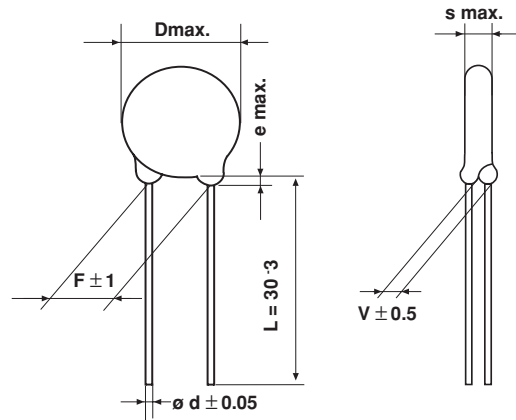
Capacitance value - Clear text
Capacitance tolerance - Letter code
Type - IEL

CATEGORY TEMPERATURE RANGE ϑ_A :

(- 40 to + 125°C)

CLIMATIC CATEGORY ACC. TO EN 60068-1:

40 / 125 / 21



• Dimensions in mm

COATING:

Epoxy dipped, insulating,
Flame retarding acc. to UL 94V-0

TEMPERATURE COEFFICIENT OF CAPACITANCE:

See next page

TAPING AND SPECIAL LEAD CONFIGURATIONS:

On request

ORDERING INFORMATION

IEL	360	M	BQ	DF0	K
MODEL	CAPACITANCE VALUE	TOLERANCE	RATED VOLTAGE	LEAD CONFIGURATION	INTERNAL CODE

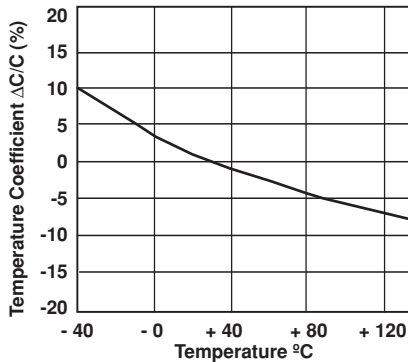


RATED VOLTAGE = 25kV _{DC}							
CAP. VALUE (pF)	D x s (MAX) (mm)	F ± 1* (mm)	d ± 0.05* (mm)	V ± 1* (mm)	e max. (mm)	ORDERING CODE	CERAMIC DIELECTRIC
12	10.0 x 8.0	10	0.8	4.0	3.0	IEL120MBQ□□□K	N 750
15	10.0 x 8.0					IEL150MBQ□□□K	
36	10.0 x 8.0					IEL360MBQ□□□K	N 2200

*Standard lead configuration, other lead spacing and diameter available on request

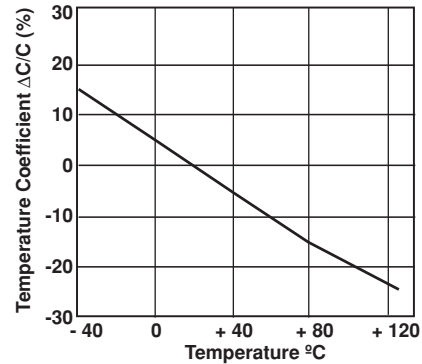
Capacitance tolerance: ± 20%

N 750 CERAMIC

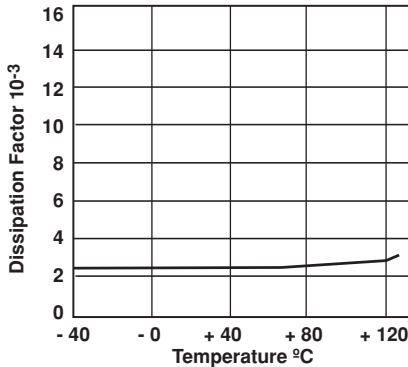


CAPACITANCE VS. TEMPERATURE

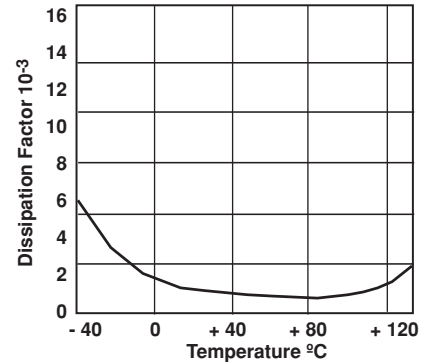
N 2200 CERAMIC



CAPACITANCE VS. TEMPERATURE



DISSIPATION FACTOR VS. TEMPERATURE



DISSIPATION FACTOR VS. TEMPERATURE

ORDERING CODE

Ordering code

□□□ 10th / 11th / 12th digit

Lead configuration (See appropriate pages)



Disclaimer

All product specifications and data are subject to change without notice.

Vishay Intertechnology, Inc., its affiliates, agents, and employees, and all persons acting on its or their behalf (collectively, "Vishay"), disclaim any and all liability for any errors, inaccuracies or incompleteness contained herein or in any other disclosure relating to any product.

Vishay disclaims any and all liability arising out of the use or application of any product described herein or of any information provided herein to the maximum extent permitted by law. The product specifications do not expand or otherwise modify Vishay's terms and conditions of purchase, including but not limited to the warranty expressed therein, which apply to these products.

No license, express or implied, by estoppel or otherwise, to any intellectual property rights is granted by this document or by any conduct of Vishay.

The products shown herein are not designed for use in medical, life-saving, or life-sustaining applications unless otherwise expressly indicated. Customers using or selling Vishay products not expressly indicated for use in such applications do so entirely at their own risk and agree to fully indemnify Vishay for any damages arising or resulting from such use or sale. Please contact authorized Vishay personnel to obtain written terms and conditions regarding products designed for such applications.

Product names and markings noted herein may be trademarks of their respective owners.