

## Aluminum Capacitors

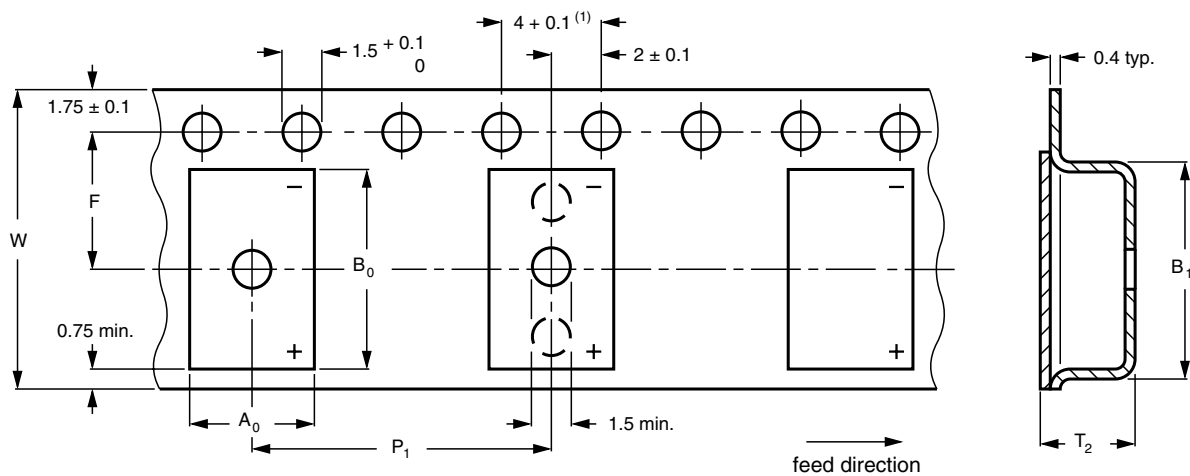
### TAPE AND REEL DATA

The information contained within this part is valid for the following series:

- 085 CS
- 139 CLL

For catalog numbers, refer to the relevant detail specification in this data book.

Vishay BCcomponents SMD aluminum capacitors are available in taped version based on IEC 60286-3. They are most suitable for use on automatic placement machines and are supplied in blister tape on reel.



(1) Tolerance over any pitches:  $\pm 0.2$  mm

Fig.1 Blister tape

Table 1

BLISTER TAPE: DIMENSIONS in millimeters AND PACKAGING QUANTITIES					
PARAMETER	085 CS		139 CLL		TOLERANCE
CASE CODE	1A	1	2	3	-
<b>CASE SIZE:</b>					
$L_{nom}$	8.8	11.9	14.3	14.3	-
$W_{nom}$	3.7	3.7	6.2	7.6	-
$H_{nom}$	3.9	3.9	6.9	8.2	-
W	16	24	24	24	$\pm 0.3$
$T_2$	4.9	4.9	7.7	9.1	max.
F	7.5	11.5	11.5	11.5	$\pm 0.1$
$P_1$	8	8	12	12	$\pm 0.1$
$A_0$	4.1	4.1	6.5	7.9	$\pm 0.2$
$B_0$	9.3	12.5	14.8	14.8	$\pm 0.2$
$B_1$	10	13.2	15.5	15.5	max.
Quantity per reel	2000	2000	700	700	-

# Packaging: SMD Aluminum Capacitors

Vishay BCcomponents

Aluminum Capacitors



The information contained within this part is valid for the following series:

- 153 CRV
- 140 CRH
- 150 CRZ

For catalog numbers, refer to the relevant detail specification in this data handbook.

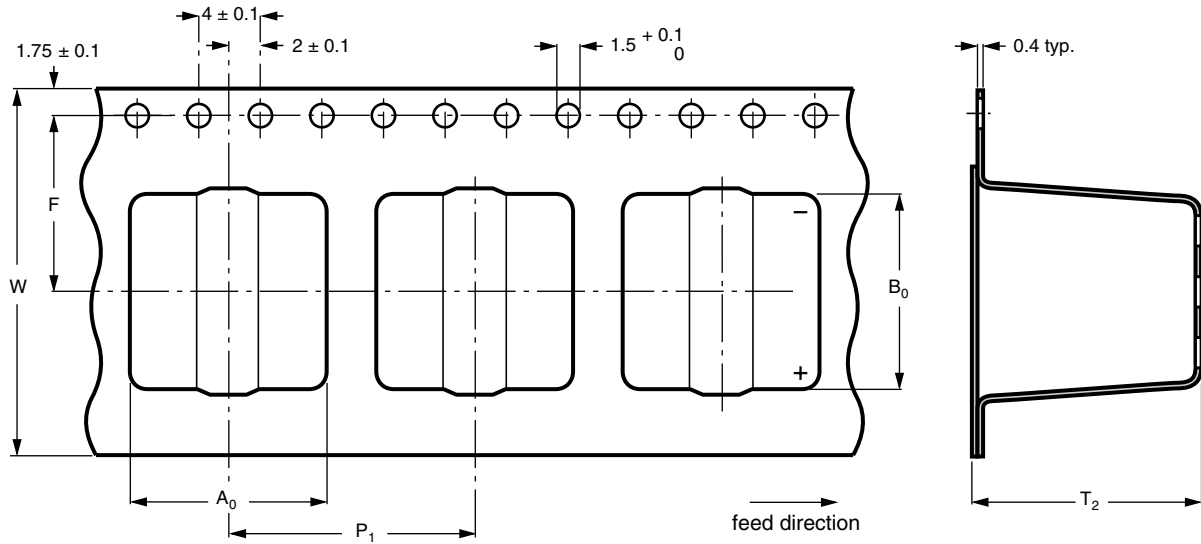


Fig.2 Blister tape

Table 2

<b>BLISTER TAPE: DIMENSIONS</b> in millimeters <b>AND PACKAGING QUANTITIES</b>											
PARAMETER	153 CRV; 140 CRH; 150 CRZ										TOLERANCE
CASE CODE	0405	0505	0605	0807	0810	1010	1012	1014	1213	1216	-
<b>CASE SIZE:</b>											
L <sub>nom</sub>	4.0	5.0	6.3	8.0	8.0	10.0	10.0	10.0	12.5	12.5	-
W <sub>nom</sub>	4.0	5.0	6.3	8.0	8.0	10.0	10.0	10.0	12.5	12.5	-
H <sub>nom</sub>	5.3	5.3	5.3	6.5	10.0	10.0	12.0	14.0	13.0	16.0	-
W	12	12	16	16	24	24	24	24	24	32	± 0.3
T <sub>2</sub>	6.0	6.0	6.0	7.0	11.6	11.6	13.0	14.7	15.5	17.5	max.
F	5.5	5.5	7.5	7.5	11.5	11.5	11.5	11.5	11.5	14.2	± 0.1
P <sub>1</sub>	8	12	12	12	16	16	16	16	20	24	± 0.1
A <sub>0</sub>	5.0	6.0	7.0	8.7	8.7	10.7	10.8	10.8	13.2	13.2	± 0.2
B <sub>0</sub>	5.0	6.0	7.0	8.7	8.7	10.7	10.8	10.8	13.2	13.2	± 0.2
Quantity per reel	2000	1000	1000	1000	500	500	250	250	250	200	-

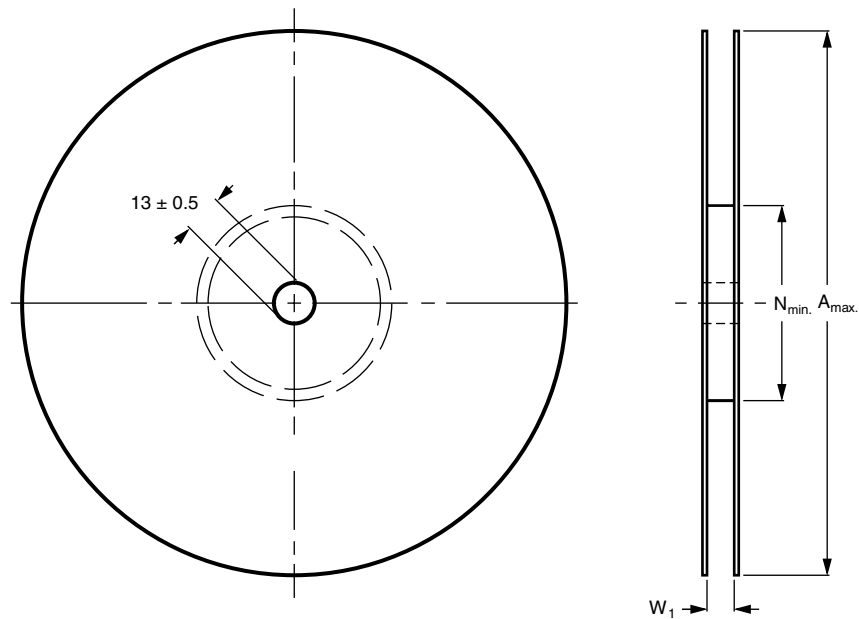


Fig.3 Reel for blister tape

Table 3

REEL DIMENSIONS IN MILLIMETERS					
TAPE WIDTH	A <sub>max.</sub>			N <sub>min.</sub>	W <sub>1</sub>
	085 CS 139 CLL	153 CRV; 140 CRH; 150 CRZ			
		CASE SIZE 1012, 1014	CASE SIZE ≤ 1216		
12	-	-	380	50	14
16	330	-	380	50	18
24	330	330	330 or 380 <sup>(1)</sup>	50	26
32	-	-	380	50	34

**Note**

<sup>(1)</sup> Depending on production location