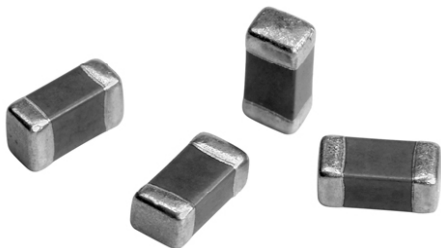


Surface Mount Multilayer Ceramic Chip Capacitors for Commodity Applications



FEATURES

- Ultra stable class 1 dielectric
- Four standard sizes
- High capacitance per unit volume
- Supplied in tape on reel
- For high frequency applications
- Ni-barrier with 100 % tin terminations
- Dry sheet manufacturing technology
- Halogen-free according to IEC 61249-2-21



RoHS
COMPLIANT
HALOGEN
FREE

APPLICATIONS

- Consumer electronics
- Telecommunications
- Data processing

ELECTRICAL SPECIFICATIONS

Note: Electrical characteristics at + 25 °C unless otherwise specified

Operating Temperature: - 55 °C to + 125 °C

Capacitance Range: 0.5 pF to 0.039 μF

Voltage Rating: 10 Vdc to 100 Vdc

Temperature Coefficient of Capacitance (TCC):

0 ± 30 ppm/°C from - 55 °C to + 125 °C

Dissipation Factor (DF):

Cap. < 30 pF: Q 400 + 20C

Cap. ≥ 30 pF: Q ≥ 1000

Test Conditions:

Cap. ≤ 1000 pF 1.0 ± 0.2 V_{rms}, 1 MHz ± 10 %

Cap. > 1000 pF 1.0 ± 0.2 V_{rms}, 1 kHz ± 10 %

Aging Rate: 0 % maximum per decade

Insulation Resistance (IR): after 120 s at U_R (DC):

10 GΩ or 500 ΩF whichever is less

Dielectric Withstand Voltage (DWV): This is the maximum voltage the capacitors are tested 1 to 5 s period and the charge/discharge current does not exceed 50 mA

≤ 50 Vdc: DWV at 250 % of rated voltage

100 Vdc: DWV at 300 % of rated voltage

DIMENSIONS in inches [millimeters]					
SIZE CODE	L	W	T MAX.	MB	
0402 (1002)	0.040 ± 0.002 [1.0 ± 0.05]	0.020 ± 0.002 [0.5 ± 0.05]	0.022 [0.55]	0.010 + 0.002/- 0.004 [0.25 + 0.05/- 0.10]	
0603 (1608)	0.063 ± 0.004 [1.6 ± 0.10]	0.030 ± 0.004 [0.8 ± 0.10]	0.035 [0.87]	0.015 ± 0.006 [0.40 ± 0.15]	
0805 (2012)	0.080 ± 0.006 [2.0 ± 0.15]	0.050 ± 0.004 [1.25 ± 0.10]	0.053 [1.35]	0.020 ± 0.008 [0.50 ± 0.20]	
1206 (3216)	0.125 + 0.012/- 0.004 [3.2 + 0.30/- 0.10]	0.063 + 0.012/- 0.004 [1.6 + 0.30/- 0.10]	0.075 [1.90]	0.025 ± 0.008 [0.60 ± 0.20]	

ORDERING INFORMATION							
VJ0402	A	101	J	X	Q	C	W1BC
SIZE CODE	DIELECTRIC	CAPACITANCE	TOLERANCE	TERMINATION	VOLTAGE	PACKAGING	PROCESS CODE FOR BASIC COMMODITY
0402 0603 0805 1206	A = C0G (NP0)	Two significant digits followed by the number of zeros: 101 = 100 pF 102 = 1000 pF 152 = 1500 pF 103 = 10 000 pF	Cap. < 10 pF B = ± 0.10 pF C = ± 0.25 pF D = ± 0.50 pF Cap. ≥ 10 pF F = ± 1 % G = ± 2 % J = ± 5 % K = ± 10 %	X = Ni Barrier	Q = 10 V J = 16 V X = 25 V A = 50 V B = 100 V	C = 7" reel/ paper tape P = 13" reel/ paper tape T = 7" reel/ plastic tape R = 13" reel/ plastic tape	



VJ...W1BC C0G (NP0) Dielectric

Surface Mount Multilayer Ceramic Chip Capacitors
for Commodity Applications

Vishay

SELECTION CHART																					
DIELECTRIC		NP0																			
EIA CAP. CODE	EIA SIZE CAP.	0402					0603					0805					1206				
		10 V	16 V	25 V	50 V	100 V	10 V	16 V	25 V	50 V	100 V	10 V	16 V	25 V	50 V	100 V	10 V	16 V	25 V	50 V	100 V
0R5	0.5 pF	N	N	N	N	N	S	S	S	S	S	A	A	A	A	A					
1R0	1.0 pF	N	N	N	N	N	S	S	S	S	S	A	A	A	A	A					
1R2	1.2 pF	N	N	N	N	N	S	S	S	S	S	A	A	A	A	A					
1R5	1.5 pF	N	N	N	N	N	S	S	S	S	S	A	A	A	A	A	B	B	B	B	
1R8	1.8 pF	N	N	N	N	N	S	S	S	S	S	A	A	A	A	A	B	B	B	B	
2R2	2.2 pF	N	N	N	N	N	S	S	S	S	S	A	A	A	A	A	B	B	B	B	
2R7	2.7 pF	N	N	N	N	N	S	S	S	S	S	A	A	A	A	A	B	B	B	B	
3R3	3.3 pF	N	N	N	N	N	S	S	S	S	S	A	A	A	A	A	B	B	B	B	
3R9	3.9 pF	N	N	N	N	N	S	S	S	S	S	A	A	A	A	A	B	B	B	B	
4R7	4.7 pF	N	N	N	N	N	S	S	S	S	S	A	A	A	A	A	B	B	B	B	
5R6	5.6 pF	N	N	N	N	N	S	S	S	S	S	A	A	A	A	A	B	B	B	B	
6R8	6.8 pF	N	N	N	N	N	S	S	S	S	S	A	A	A	A	A	B	B	B	B	
8R2	8.2 pF	N	N	N	N	N	S	S	S	S	S	A	A	A	A	A	B	B	B	B	
100	10 pF	N	N	N	N	N	S	S	S	S	S	A	A	A	A	A	B	B	B	B	
120	12 pF	N	N	N	N	N	S	S	S	S	S	A	A	A	A	A	B	B	B	B	
150	15 pF	N	N	N	N	N	S	S	S	S	S	A	A	A	A	A	B	B	B	B	
180	18 pF	N	N	N	N	N	S	S	S	S	S	A	A	A	A	A	B	B	B	B	
220	22 pF	N	N	N	N	N	S	S	S	S	S	A	A	A	A	A	B	B	B	B	
270	27 pF	N	N	N	N	N	S	S	S	S	S	A	A	A	A	A	B	B	B	B	
330	33 pF	N	N	N	N	N	S	S	S	S	S	A	A	A	A	A	B	B	B	B	
390	39 pF	N	N	N	N	N	S	S	S	S	S	A	A	A	A	A	B	B	B	B	
470	47 pF	N	N	N	N	N	S	S	S	S	S	A	A	A	A	A	B	B	B	B	
560	56 pF	N	N	N	N	N	S	S	S	S	S	A	A	A	A	A	B	B	B	B	
680	68 pF	N	N	N	N	N	S	S	S	S	S	A	A	A	A	A	B	B	B	B	
820	82 pF	N	N	N	N	N	S	S	S	S	S	A	A	A	A	A	B	B	B	B	
101	100 pF	N	N	N	N	N	S	S	S	S	S	A	A	A	A	A	B	B	B	B	
121	120 pF	N	N	N	N	N	S	S	S	S	S	A	A	A	A	A	B	B	B	B	
151	150 pF	N	N	N	N	N	S	S	S	S	S	A	A	A	A	A	B	B	B	B	
181	180 pF	N	N	N	N	N	S	S	S	S	S	A	A	A	A	A	B	B	B	B	
221	220 pF	N	N	N	N	N	S	S	S	S	S	A	A	A	A	A	B	B	B	B	
271	270 pF	N	N	N			S	S	S	S	S	A	A	A	A	A	B	B	B	B	
331	330 pF	N	N				S	S	S	S	S	A	A	A	A	A	B	B	B	B	
391	390 pF	N	N				S	S	S	S	S	B	B	B	B	B	B	B	B	B	
471	470 pF	N	N				S	S	S	S	S	B	B	B	B	B	B	B	B	B	
561	560 pF						S	S	S	S	S	B	B	B	B	B	B	B	B	B	
681	680 pF						S	S	S	S	S	B	B	B	B	B	B	B	B	B	
821	820 pF						S	S	S	S	S	B	B	B	B	B	B	B	B	B	
102	1000 pF						S	S	S	S	S	B	B	B	B	B	B	B	B	B	
122	1200 pF						S	S				B	B	B	B	B	B	B	B	B	
152	1500 pF						S	S				B	B	B	B	B	B	B	B	B	
182	1800 pF						S	S				B	B	B	B	B	B	B	B	B	
222	2200 pF						S	S				B	B	B	B	B	B	B	B	B	
272	2700 pF						S	S				D	D	D	D	D	B	B	B	B	
332	3300 pF						S	S				D	D	D	D	D	B	B	B	B	
392	3900 pF											D	D	D	D	D	B	B	B	B	
472	4700 pF											D	D	D	D		B	B	B	B	
562	5600 pF											D	D				B	B	B	B	
682	6800 pF											D	D				C	C	C	C	
822	8200 pF											D	D				D	D	D	D	
103	0.01 μF											D	D				D	D	D	D	
123	0.012 μF											D	D				D	D	P	P	
153	0.015 μF																D	D	P	P	
183	0.018 μF																D	D			
223	0.022 μF																D	D			
273	0.027 μF																D	D			
333	0.033 μF																D	D			
393	0.039 μF																G	G			
473	0.047 μF																				
563	0.056 μF																				
683	0.068 μF																				
823	0.082 μF																				
104	0.1 μF																				

Note: Letters indicate product thickness, see Packaging Quantities

VJ....W1BC C0G (NP0) Dielectric



Vishay

Surface Mount Multilayer Ceramic Chip Capacitors
for Commodity Applications

PACKAGING QUANTITIES						
SIZE (inch/mm)	THICKNESS (mm)	THICKNESS SYMBOL	PAPER TAPE		PLASTIC TAPE	
			7" reel (C)	13" reel (P)	7" reel (T)	13" reel (R)
0402 (1002)	0.50 ± 0.05	N	10K	50K		
0603 (1608)	0.80 ± 0.07	S	4K	15K		
	0.80 + 0.15/- 0.10	X	4K	15K		
0805 (2012)	0.60 ± 0.10	A	4K	15K		
	0.80 ± 0.10	B	4K	15K		
	1.25 ± 0.10	D			3K	10K
1206 (3216)	0.80 ± 0.10	B	4K	15K		
	0.95 ± 0.10	C			3K	10K
	1.15 ± 0.15	J			3K	10K
	1.25 ± 0.10	D			3K	10K
	1.60 ± 0.20	G			2K	
	1.60 ± 0.30/- 0.10	P			2K	

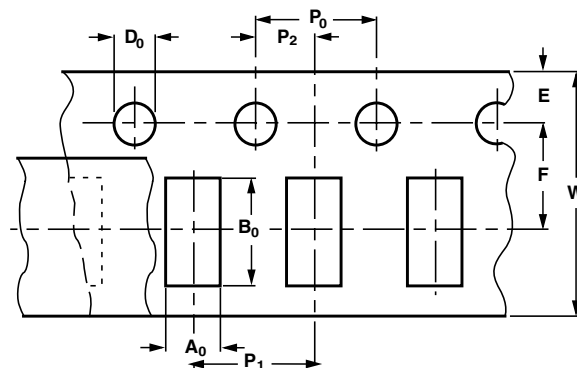
COVER TAPE (POLYESTER - ANTISTATIC)

PROPERTIES OF COVER TAPE	
PARAMETER	WIDTH
Breaking force	≥ 10.7 N
Elongation at break	≥ 63 %
Surface resistance	< 10 ¹⁰ Ω/sq.
Softening point	71 ± 5 °C
Thickness	62 μm

CARRIER TAPE (POLYCARBONATE)

PROPERTIES OF CARRIER TAPE	
PARAMETER	WIDTH
Thickness	190 to 280 μm
Tensile strength at break	> 60 N/mm ²
Elongation at break	100 to 150 %
Surface resistance	> 10 ¹² Ω/sq.

PAPER TAPE SPECIFICATIONS



DIMENSIONS OF PAPER TAPE in millimeters								
SYMBOL	PRODUCT SIZE CODE							
	0402		0603		0805		1206	
	SIZE	TOL.	SIZE	TOL.	SIZE	TOL.	SIZE	TOL.
A ₀	0.62	± 0.05	1.02	± 0.05	1.50	± 0.10	2.00	± 0.10
B ₀	1.12	± 0.05	1.82	± 0.05	2.30	± 0.10	3.50	± 0.10
W	8.00	± 0.10	8.00	± 0.10	8.00	± 0.10	8.00	± 0.10
E	1.75	± 0.05	1.75	± 0.05	1.75	± 0.05	1.75	± 0.10
F	3.50	± 0.05	3.50	± 0.05	3.50	± 0.05	3.50	± 0.05
D ₀	1.55	± 0.05	1.55	± 0.05	1.55	± 0.05	1.50	± 0.05
P ₀	4.00	± 0.10	4.00	± 0.10	4.00	± 0.10	4.00	± 0.10
P ₁	2.00	± 0.05	4.00	± 0.10	4.00	± 0.10	4.00	± 0.10
P ₂	2.00	± 0.05	2.00	± 0.05	2.00	± 0.05	2.00	± 0.05

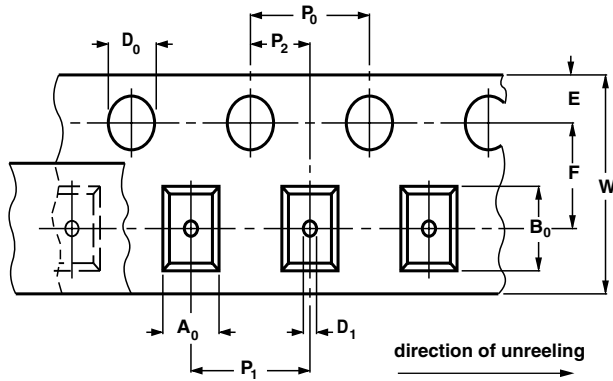


VJ...W1BC C0G (NP0) Dielectric

Surface Mount Multilayer Ceramic Chip Capacitors
for Commodity Applications

Vishay

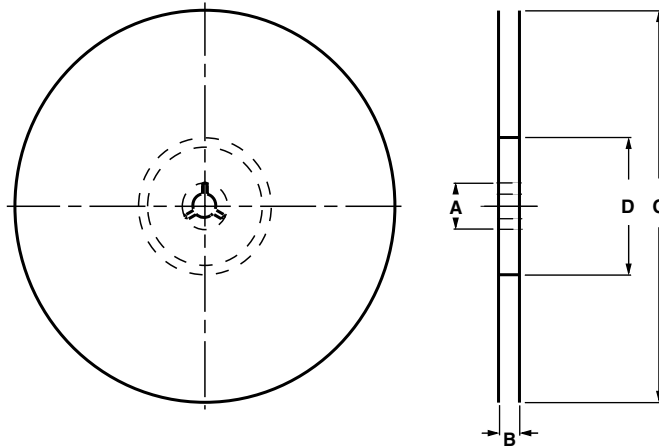
BLISTER TAPE SPECIFICATIONS



BLISTER TAPE SPECIFICATIONS

DIMENSIONS OF BLISTER TAPE in millimeters			
DIMENSION	PRODUCT		TOLERANCE
	0805	1206	
A ₀	< 1.57	< 2.00	-
B ₀	< 2.45	< 3.60	-
W	8.00	8.00	± 0.10
E	1.75	1.75	± 0.10
F	3.50	3.50	± 0.05
D ₀	1.50	1.50	± 0.05
D ₁	1.00	1.00	± 0.10
P ₀	4.00	4.00	± 0.10
P ₁	4.00	4.00	± 0.10
P ₂	2.00	2.00	± 0.05

REEL SPECIFICATIONS



REEL DIMENSIONS AND TAPE WIDTH in millimeters		
	Ø 180 mm; 7"	Ø 330 mm; 13"
A	13.0 ± 1.0	13.0 ± 0.5
B	9.0 ± 1.0	9.0 ± 1.0
C	178.0 ± 1.0	330.0 ± 1.0
D	60.5 ± 1.0	100.0 ± 1.0



Disclaimer

All product specifications and data are subject to change without notice.

Vishay Intertechnology, Inc., its affiliates, agents, and employees, and all persons acting on its or their behalf (collectively, "Vishay"), disclaim any and all liability for any errors, inaccuracies or incompleteness contained herein or in any other disclosure relating to any product.

Vishay disclaims any and all liability arising out of the use or application of any product described herein or of any information provided herein to the maximum extent permitted by law. The product specifications do not expand or otherwise modify Vishay's terms and conditions of purchase, including but not limited to the warranty expressed therein, which apply to these products.

No license, express or implied, by estoppel or otherwise, to any intellectual property rights is granted by this document or by any conduct of Vishay.

The products shown herein are not designed for use in medical, life-saving, or life-sustaining applications unless otherwise expressly indicated. Customers using or selling Vishay products not expressly indicated for use in such applications do so entirely at their own risk and agree to fully indemnify Vishay for any damages arising or resulting from such use or sale. Please contact authorized Vishay personnel to obtain written terms and conditions regarding products designed for such applications.

Product names and markings noted herein may be trademarks of their respective owners.