



## Surface Mount Multilayer Ceramic Chip Capacitors Array for Commodity Applications



### FEATURES

- High density mounting due to mounting space saving
- Mounting cost saving
- Increased throughput
- Dry sheet manufacturing technology
- Base Metal Electrode system (BME)
- Compliant to RoHS Directive 2011/65/EU
- Halogen-free according to IEC 61249-2-21 definition



**RoHS**  
COMPLIANT  
HALOGEN  
**FREE**

### APPLICATIONS

- For use as a bypass for digital and analog signal line noise
- Computer motherboards and peripherals
- The common electronic circuits

ELECTRICAL SPECIFICATION			
Size	4 x 0603		
Dielectric	C0G (NP0)	X7R	Y5V
Capacitance <sup>(1)</sup>	10 pF to 470 pF	180 pF to 100 nF	10 nF to 100 nF
Capacitance Tolerance <sup>(2)</sup>	J (± 5 %), K (± 10 %)	K (± 10 %), M (± 20 %)	Z (- 20 %/+ 80 %)
Rated Voltage (V <sub>DC</sub> )	50 V	16 V, 50 V	50 V
tan δ/Q <sup>(1)</sup>	Cap. < 30 pF: Q ≥ 400 + 20 C Cap. ≥ 30 pF: Q ≥ 1000	U <sub>R</sub> = 50 V: ≤ 2.5 % U <sub>R</sub> = 16 V: ≤ 3.5 %	≤ 5 %
Insulation Resistance at U <sub>R</sub>	≥ 10 GΩ	≥ 10 GΩ or R x C ≥ 500 Ω x F, whichever is less	
Operating Temperature	- 55 °C to + 125 °C		- 25 °C to + 85 °C
Capacitance Change	± 30 ppm	± 15 %	+ 30 %/- 80 %
Termination	Ni/Sn lead (Pb)-free termination		

### Notes

<sup>(1)</sup> Measured at 30 % ~ 70 % related humidity

NP0: apply 1.0 V<sub>RMS</sub> ± 0.2 V<sub>RMS</sub>, 1.0 MHz ± 10 % at the conditions of 25 °C ambient temperature

X7R: apply 1.0 V<sub>RMS</sub> ± 0.2 V<sub>RMS</sub>, 1.0 kHz ± 10 % at the conditions of 25 °C ambient temperature

Y5V: apply 1.0 V<sub>RMS</sub> ± 0.2 V<sub>RMS</sub>, 1.0 kHz ± 10 % at the conditions of 20 °C ambient temperature

<sup>(2)</sup> Preconditioning for X7R, Y5V MLCC: Perform a heat treatment at 150 °C ± 10 °C for 1 h, then leave in ambient condition for 24 h ± 2 h before measurement.



QUICK REFERENCE DATA				
DIELECTRIC	CASE	MAXIMUM VOLTAGE (V)	CAPACITANCE	
			MINIMUM	MAXIMUM
C0G (NP0)	0612	50	10 pF	470 pF
X7R	0612	50	180 pF	100 nF
Y5V	0612	50	10 nF	100 nF

**Note**

- Detail ratings see selection chart

ORDERING INFORMATION							
VJ06C4	A	100	J	X	A	C	W1BC
SIZE CODE	DIELECTRIC	CAPACITANCE	TOLERANCE	TERMINATION	RATED VOLTAGE	PACKAGING	PROCESS CODE FOR BASIC COMMODITY
06C4	A = C0G (NP0) Y = X7R V = Y5V	Two significant digits followed by the number of zeros. R is in place of decimal point: 100 = 10 pF 101 = 100 pF	J = ± 5 % K = ± 10 % M = ± 20 % Z = - 20 % / + 80 %	X = Ni Barrier	J = 16 V A = 50 V	C = 7" reel/paper tape	

DIMENSIONS in inches (millimeters)							
	SIZE CODE	L	W	T MAX.	S	BW	P
		0612 (1632)	0.125 ± 0.006 (3.20 ± 0.15)	0.063 ± 0.006 (1.60 ± 0.15)	0.036 (0.90)	0.012 ± 0.008 (0.30 ± 0.20)	0.016 ± 0.006 (0.40 ± 0.15)



SELECTION CHART					
DIELECTRIC		COG (NP0)	X7R		Y5V
STYLE		VJ06C4			
SIZE CODE		0612 (4 x 0603)			
VOLTAGE V <sub>DC</sub>		50 V	16 V	50 V	50 V
VOLTAGE CODE		A	J	A	A
CAP. CODE	CAP.				
100	10 pF	B			
150	15 pF	B			
220	22 pF	B			
330	33 pF	B			
470	47 pF	B			
680	68 pF	B			
101	100 pF	B			
151	150 pF	B			
181	180 pF	B		B	
221	220 pF	B		B	
271	270 pF	B		B	
331	330 pF	B		B	
471	470 pF	B		B	
102	1.0 nF			B	
152	1.5 nF			B	
222	2.2 nF			B	
332	3.3 nF			B	
472	4.7 nF			B	
682	6.8 nF			B	
103	10 nF			B	B
153	15 nF		B	B	B
223	22 nF		B	B	B
333	33 nF		B		B
473	47 nF		B		B
683	68 nF		B		B
104	100 nF		B		B

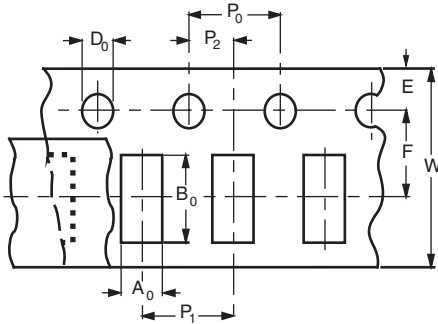
**Note**

- Letters indicate product thickness, see packaging quantities



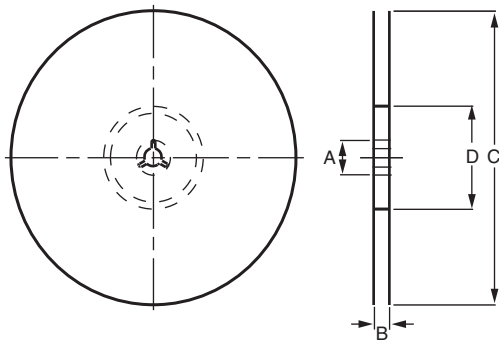
PACKAGING QUANTITIES			
SIZE CODE	THICKNESS (mm)	PAPER TAPE	
		7" REEL (C)	13" REEL (P)
06C4 (4 x 0603)	0.80 ± 0.10	4K	-

## PAPER TAPE SPECIFICATIONS



DIMENSIONS OF PAPER TAPE in millimeters	
SYM.	PRODUCT SIZE CODE
	06C4 (4 x 0603)
A <sub>0</sub>	2.00 ± 0.10
B <sub>0</sub>	3.50 ± 0.10
W	8.00 ± 0.10
E	1.75 ± 0.05
F	3.50 ± 0.05
D <sub>0</sub>	1.50 ± 0.05
P <sub>0</sub>	4.00 ± 0.10
P <sub>1</sub>	4.00 ± 0.10
P <sub>2</sub>	2.00 ± 0.05

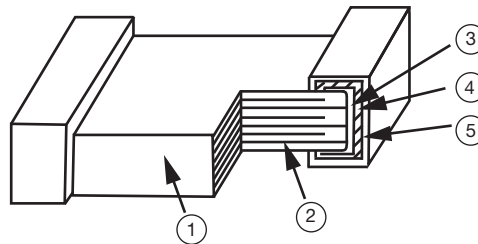
## REEL SPECIFICATION



REEL DIMENSIONS AND TAPE WIDTH in millimeters		
	Ø 180 mm; 7"	Ø 330 mm; 13"
A	13.0 ± 0.5	13.0 ± 0.5
B	9.0 ± 1.0	9.0 ± 1.0
C	178.0 ± 1.0	330.0 ± 1.0
D	60.0 ± 1.0	100.0 ± 1.0



CONSTRUCTION		
NO.	NAME	COG (NP0), X7R, Y5V
1	Ceramic material	BaTiO <sub>3</sub> based
2	Inner electrode	Ni
3	Termination	Inner layer
4		Middle layer
5		Outer layer
		Sn (matt)



STORAGE AND HANDLING CONDITIONS
<p>(1) To store products at 5 °C to 40 °C ambient temperature and 20 % to 70 % related humidity conditions.</p> <p>(2) The product is recommended to be used within one year after shipment. Check solderability in case of shelf life extension is needed.</p> <p>Cautions:</p> <ul style="list-style-type: none"> <li>a. Do not store products in a corrosive environment such as sulfide, chloride gas, or acid. It may cause oxidization of electrode, which easily be resulted in poor soldering.</li> <li>b. To store products on the shelf and avoid exposure to moisture.</li> <li>c. Do not expose products to excessive shock, vibration, direct sunlight and so on.</li> </ul>



## Disclaimer

ALL PRODUCT, PRODUCT SPECIFICATIONS AND DATA ARE SUBJECT TO CHANGE WITHOUT NOTICE TO IMPROVE RELIABILITY, FUNCTION OR DESIGN OR OTHERWISE.

Vishay Intertechnology, Inc., its affiliates, agents, and employees, and all persons acting on its or their behalf (collectively, "Vishay"), disclaim any and all liability for any errors, inaccuracies or incompleteness contained in any datasheet or in any other disclosure relating to any product.

Vishay makes no warranty, representation or guarantee regarding the suitability of the products for any particular purpose or the continuing production of any product. To the maximum extent permitted by applicable law, Vishay disclaims (i) any and all liability arising out of the application or use of any product, (ii) any and all liability, including without limitation special, consequential or incidental damages, and (iii) any and all implied warranties, including warranties of fitness for particular purpose, non-infringement and merchantability.

Statements regarding the suitability of products for certain types of applications are based on Vishay's knowledge of typical requirements that are often placed on Vishay products in generic applications. Such statements are not binding statements about the suitability of products for a particular application. It is the customer's responsibility to validate that a particular product with the properties described in the product specification is suitable for use in a particular application. Parameters provided in datasheets and/or specifications may vary in different applications and performance may vary over time. All operating parameters, including typical parameters, must be validated for each customer application by the customer's technical experts. Product specifications do not expand or otherwise modify Vishay's terms and conditions of purchase, including but not limited to the warranty expressed therein.

Except as expressly indicated in writing, Vishay products are not designed for use in medical, life-saving, or life-sustaining applications or for any other application in which the failure of the Vishay product could result in personal injury or death. Customers using or selling Vishay products not expressly indicated for use in such applications do so at their own risk and agree to fully indemnify and hold Vishay and its distributors harmless from and against any and all claims, liabilities, expenses and damages arising or resulting in connection with such use or sale, including attorneys fees, even if such claim alleges that Vishay or its distributor was negligent regarding the design or manufacture of the part. Please contact authorized Vishay personnel to obtain written terms and conditions regarding products designed for such applications.

No license, express or implied, by estoppel or otherwise, to any intellectual property rights is granted by this document or by any conduct of Vishay. Product names and markings noted herein may be trademarks of their respective owners.

## Material Category Policy

**Vishay Intertechnology, Inc. hereby certifies that all its products that are identified as RoHS-Compliant fulfill the definitions and restrictions defined under Directive 2011/65/EU of The European Parliament and of the Council of June 8, 2011 on the restriction of the use of certain hazardous substances in electrical and electronic equipment (EEE) - recast, unless otherwise specified as non-compliant.**

**Please note that some Vishay documentation may still make reference to RoHS Directive 2002/95/EC. We confirm that all the products identified as being compliant to Directive 2002/95/EC conform to Directive 2011/65/EU.**