

Single-Turn Continuous Rotation Analog Displacement Sensors



FEATURES

- Conductive plastic potentiometer technology, infinite resolution
- Metal housing (SS and SR)
- Stainless steel shaft
- Precious metal contacts
- Soldering terminal outputs
- Applicable standards: NFC 93255, MIL R 39023
- Material categorization: for definitions of compliance please see www.vishay.com/doc?99912



QUICK REFERENCE DATA

Sensor type	ROTATIONAL, conductive plastic
Output type	Output by turrets
Market appliance	Industrial
Dimensions	7/8" (22.2 mm)

ELECTRICAL SPECIFICATIONS

PARAMETER	P22SBS	P22SSS	P22SSR
Theoretical electrical travel		340° ± 3°	
Independent linearity standard	± 2.0 %	± 2.0 %	± 1.0 %
Independent linearity optional	± 1 %	± 1 %	± 0.5 %
Total resistance range (R _n)	4.7 kΩ or 10 kΩ (1 kΩ on request)		
Tolerance on R _n	± 20 %		
Output smoothness	≤ 0.1 %		
Power rating at 70 °C	1 W (see "Power Rating Chart")		
Temperature coefficient	-300 ± 300 ppm/°C		
Wiper current	≤ 1 mA		
Recommended load impedance	≥ 100 R _n		
Insulation resistance	≥ 1 GΩ at 500 V _{DC}		
Dielectric strength	750 V _{RMS} , 50 Hz, 1 min		

MECHANICAL SPECIFICATIONS

PARAMETER	P22SBS	P22SSS	P22SSR
Mechanical rotation	360° continuous		
Moment of inertia	1 g cm ²		
Mounting	Bushing	Servo	Servo
Shaft guiding	Sleeve bearings	Sleeve bearings	Precision ball bearings
Running and starting torque	≤ 0.5 N cm	≤ 0.5 N cm	≤ 0.1 N cm
Panel tightening torque	≤ 250 N cm	-	-
Protection class	IP 50		
Weight	< 16 g	< 13 g	< 13 g

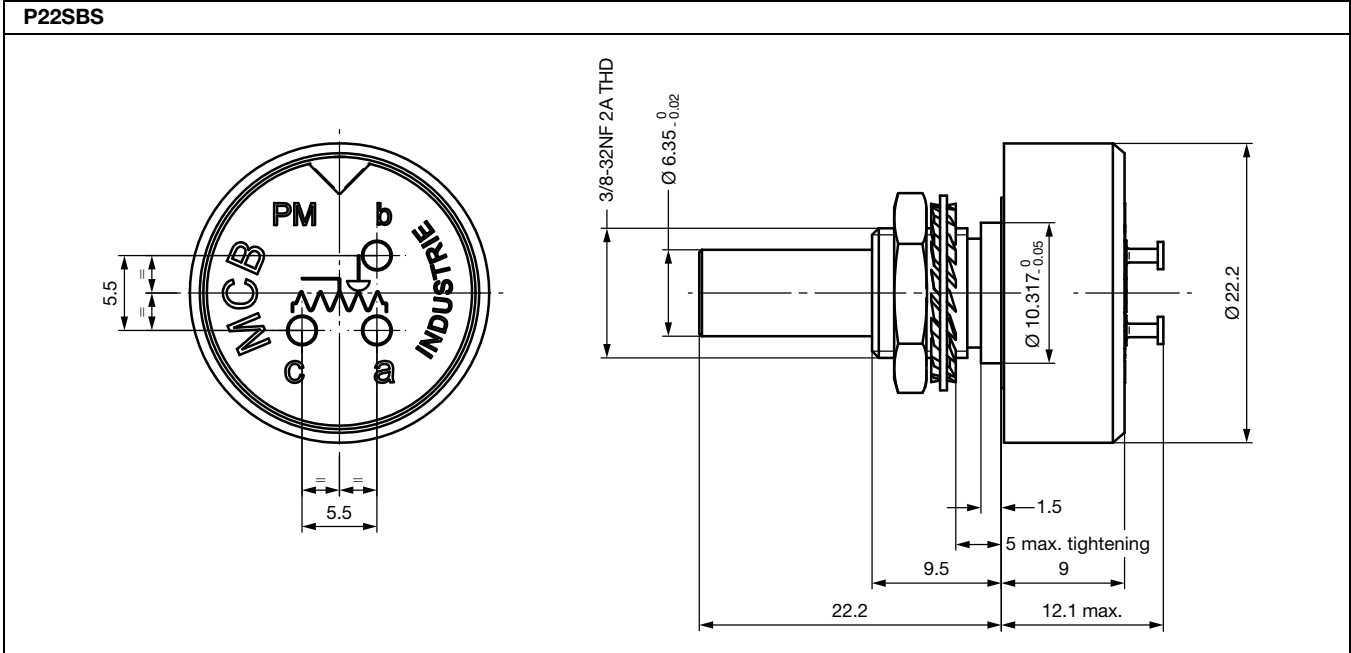
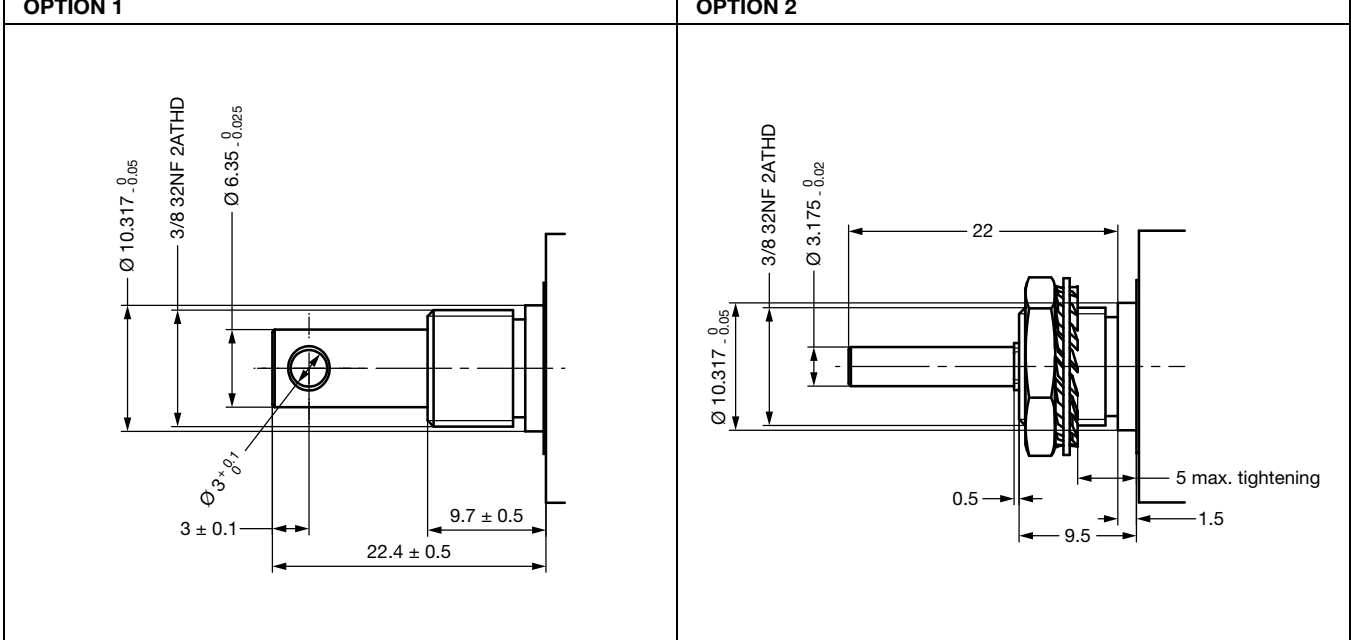
PERFORMANCE

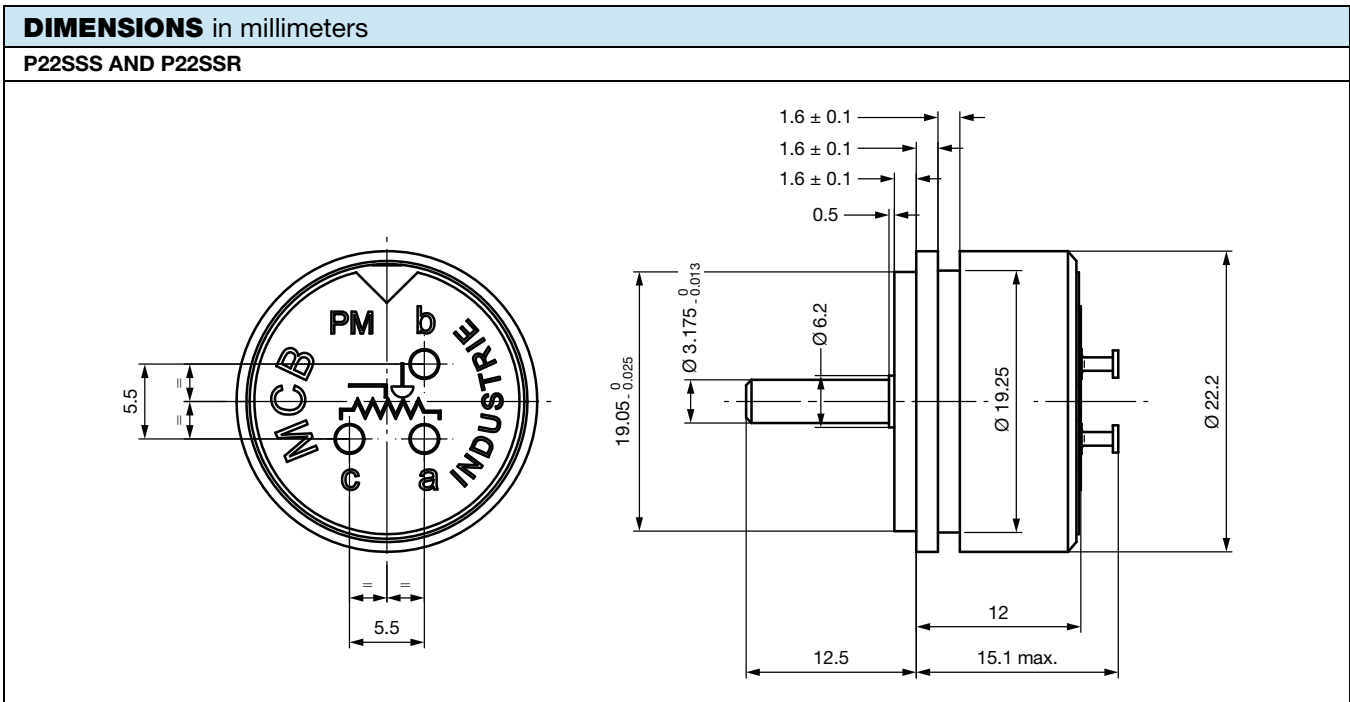
PARAMETER	P22SBS	P22SSS	P22SSR
Operating temperature range	-55 °C to +125 °C		
Life	5M cycles	10M cycles	20M cycles
Rotation speed (max.)	400 rpm	400 rpm	600 rpm

Note

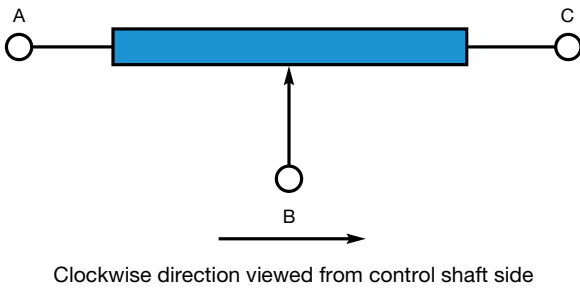
- Nothing stated herein shall be construed as a guarantee of quality or durability.

SAP PART NUMBERING GUIDELINES							
MODEL	FUNCTION	MOUNTING	TYPE	VALUE	LINEARITY	ANGLE	PACKAGING
P22	S = single	B = bushing (only with sleeve bearing) S = servo (with sleeve bearing or ball bearing)	S = sleeve bearing R = ball bearing	472 = 4K7 103 = 10K	X = 2 % (bushing or servo) A = 1 % (servo)	0340	B = box

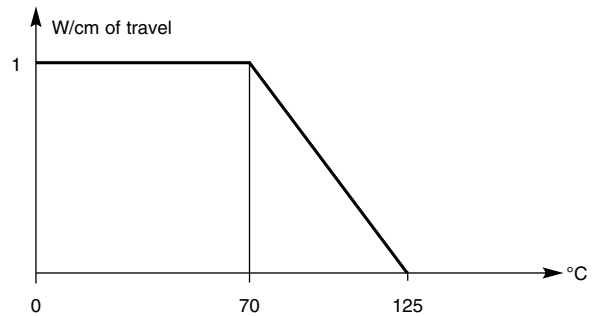
DIMENSIONS in millimeters

OPTIONS ON REQUEST




ELECTRICAL DIAGRAM



POWER RATING CHART



OPTIONS (on request)

- Other nominal resistance
- Other tolerances on R_n
- Other linearity
- Other electrical travels: $205^\circ \pm 5^\circ$; $58^\circ (-2^\circ; 0)$
- Center tap: $U/2 \pm 1\%$; $U/2 \pm 1.5\%$
- Other shaft diameter
- Anti-rotation system
- Mechanical stops
- Other pinning
- Reinforced mechanical fixation on track to support big efforts (by gluing)



Disclaimer

ALL PRODUCT, PRODUCT SPECIFICATIONS AND DATA ARE SUBJECT TO CHANGE WITHOUT NOTICE TO IMPROVE RELIABILITY, FUNCTION OR DESIGN OR OTHERWISE.

Vishay Intertechnology, Inc., its affiliates, agents, and employees, and all persons acting on its or their behalf (collectively, "Vishay"), disclaim any and all liability for any errors, inaccuracies or incompleteness contained in any datasheet or in any other disclosure relating to any product.

Vishay makes no warranty, representation or guarantee regarding the suitability of the products for any particular purpose or the continuing production of any product. To the maximum extent permitted by applicable law, Vishay disclaims (i) any and all liability arising out of the application or use of any product, (ii) any and all liability, including without limitation special, consequential or incidental damages, and (iii) any and all implied warranties, including warranties of fitness for particular purpose, non-infringement and merchantability.

Statements regarding the suitability of products for certain types of applications are based on Vishay's knowledge of typical requirements that are often placed on Vishay products in generic applications. Such statements are not binding statements about the suitability of products for a particular application. It is the customer's responsibility to validate that a particular product with the properties described in the product specification is suitable for use in a particular application. Parameters provided in datasheets and / or specifications may vary in different applications and performance may vary over time. All operating parameters, including typical parameters, must be validated for each customer application by the customer's technical experts. Product specifications do not expand or otherwise modify Vishay's terms and conditions of purchase, including but not limited to the warranty expressed therein.

Hyperlinks included in this datasheet may direct users to third-party websites. These links are provided as a convenience and for informational purposes only. Inclusion of these hyperlinks does not constitute an endorsement or an approval by Vishay of any of the products, services or opinions of the corporation, organization or individual associated with the third-party website. Vishay disclaims any and all liability and bears no responsibility for the accuracy, legality or content of the third-party website or for that of subsequent links.

Vishay products are not designed for use in life-saving or life-sustaining applications or any application in which the failure of the Vishay product could result in personal injury or death unless specifically qualified in writing by Vishay. Customers using or selling Vishay products not expressly indicated for use in such applications do so at their own risk. Please contact authorized Vishay personnel to obtain written terms and conditions regarding products designed for such applications.

No license, express or implied, by estoppel or otherwise, to any intellectual property rights is granted by this document or by any conduct of Vishay. Product names and markings noted herein may be trademarks of their respective owners.