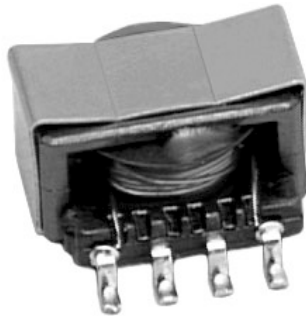


Current Sense Transformer



ELECTRICAL SPECIFICATIONS

Primary Inductance (4-3): 2000 μ H \pm 20% @ 0.1Vrms, 100KHz

Primary DC Current (Continuous): 0.120A(dc) For temperature rise of 30°C maximum

Primary Incremental Current (or Peak Current): 0.120A(dc) typical for less than 20% reduction of inductance

Primary DC Resistance (4-3): 4.95 ohm maximum

Secondary DC Resistance (2-1): 0.50 ohm maximum

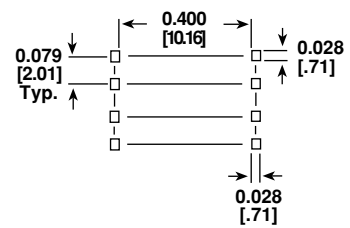
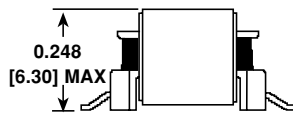
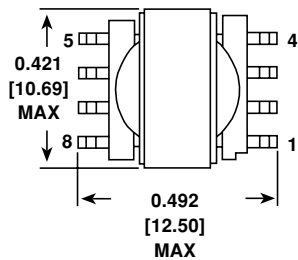
Tertiary DC Resistance (7-6): 0.50 ohm maximum

Turns Ratio: PRI:SEC:TER = 10.0 : 1.0 : 1.0

Hipot Voltage: 500V(ac), 5 seconds (Between windings and windings to core)

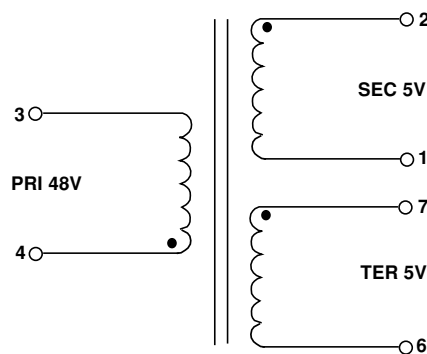
Operating Temperature Range: -20° + 85°C

DIMENSIONS in inches [millimeters]



FOOTPRINT DIAGRAM

SCHEMATIC





Disclaimer

All product specifications and data are subject to change without notice.

Vishay Intertechnology, Inc., its affiliates, agents, and employees, and all persons acting on its or their behalf (collectively, "Vishay"), disclaim any and all liability for any errors, inaccuracies or incompleteness contained herein or in any other disclosure relating to any product.

Vishay disclaims any and all liability arising out of the use or application of any product described herein or of any information provided herein to the maximum extent permitted by law. The product specifications do not expand or otherwise modify Vishay's terms and conditions of purchase, including but not limited to the warranty expressed therein, which apply to these products.

No license, express or implied, by estoppel or otherwise, to any intellectual property rights is granted by this document or by any conduct of Vishay.

The products shown herein are not designed for use in medical, life-saving, or life-sustaining applications unless otherwise expressly indicated. Customers using or selling Vishay products not expressly indicated for use in such applications do so entirely at their own risk and agree to fully indemnify Vishay for any damages arising or resulting from such use or sale. Please contact authorized Vishay personnel to obtain written terms and conditions regarding products designed for such applications.

Product names and markings noted herein may be trademarks of their respective owners.