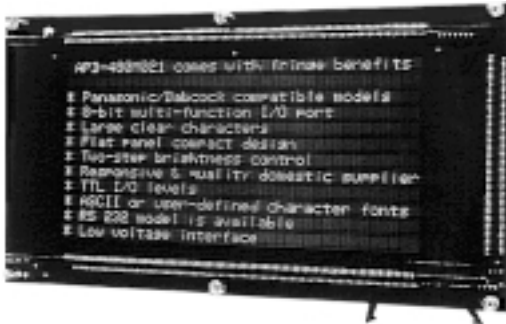


## Plasma Panel Display Modules

### 480 Character Display with Drive Electronics Controller and Serial Interface



**FEATURES**

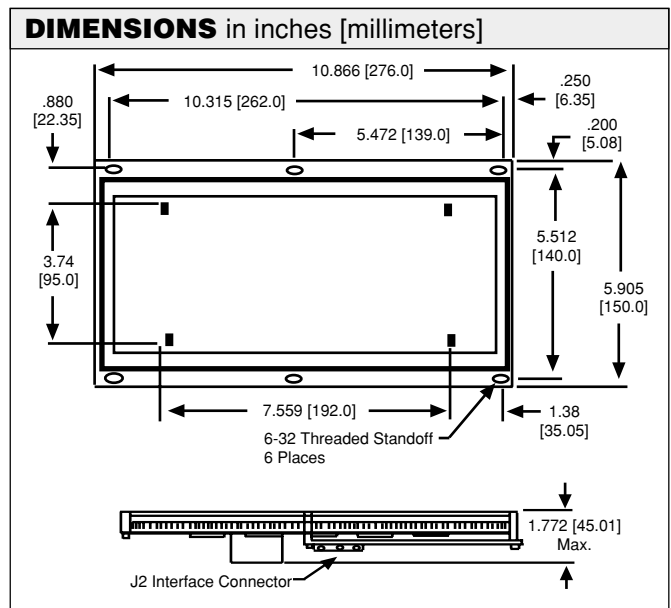
- 480 (12 x 40) alphanumeric characters (5 x 7 dot matrix)
- Only + 5 and + 12 VDC required
- ASCII character set (optional character sets available)
- Efficient serial interface
- Two step brightness control
- Wide viewing angle (150°)
- Rugged design/slim profile
- Flicker free refresh
- Editing functions

The APD-480M021-1 consists of a DC plasma panel display, drive circuitry and controller. The interface is through a single 4 pin power connector that only requires + 5 VDC, + 12 VDC, Ground and Serial Data inputs. Handshaking is not required as a 20 byte FIFO buffer is used to capture data when the display is busy. Dale's® patented open construction display technology assures a stable, flicker free screen. The controller maintains all the refresh memory, character generation and control logic. Various editing functions are available such as scrolling, inserting and deleting characters. The module can also be dimmed or blanked for screen highlighting. Serial data protocol is 8 data bits, no parity, 1 start bit and 1 stop bit. Baud rate (300, 1200 or 9600) is selected with a control board jumper. A self test can be manually performed by removing a jumper. The EPROM based character generator is programmed with an ASCII character set, but is easily configured for any character set.

**OPTICAL SPECIFICATIONS**

- Viewing Area:** 7.56" [192.02mm] W x 3.74" [95.00mm] H.
- Number of Characters:** 480.
- Character Size:** 0.146" [3.708mm] W x .209" [5.309mm] H.
- Luminance:** 60 foot lamberts.
- Color:** Neon orange.
- Viewing Angle:** 150° cone.

STANDARD ELECTRICAL SPECIFICATIONS				
	MIN.	TYP.	MAX.	UNITS
Logic Supply Voltage	+ 4.75	+ 5.0	+ 5.25	V
Logic Supply Current	—	—	750	mA
Panel Supply Voltage	11.4	12.0	12.6	V
Panel Supply Current	—	.7	2.5	A



ORDERING INFORMATION	
DESCRIPTION	PART NUMBER
Display, Drive Electronics, Controller .....	APD-480M021-1
Interface Connector Kit .....	280108-05
Non-Glare Filter (amber circular polarized) - other filters available, contact factory .....	280109-11
Parallel Interface Version .....	APD-480M021/-2



## Disclaimer

All product specifications and data are subject to change without notice.

Vishay Intertechnology, Inc., its affiliates, agents, and employees, and all persons acting on its or their behalf (collectively, "Vishay"), disclaim any and all liability for any errors, inaccuracies or incompleteness contained herein or in any other disclosure relating to any product.

Vishay disclaims any and all liability arising out of the use or application of any product described herein or of any information provided herein to the maximum extent permitted by law. The product specifications do not expand or otherwise modify Vishay's terms and conditions of purchase, including but not limited to the warranty expressed therein, which apply to these products.

No license, express or implied, by estoppel or otherwise, to any intellectual property rights is granted by this document or by any conduct of Vishay.

The products shown herein are not designed for use in medical, life-saving, or life-sustaining applications unless otherwise expressly indicated. Customers using or selling Vishay products not expressly indicated for use in such applications do so entirely at their own risk and agree to fully indemnify Vishay for any damages arising or resulting from such use or sale. Please contact authorized Vishay personnel to obtain written terms and conditions regarding products designed for such applications.

Product names and markings noted herein may be trademarks of their respective owners.