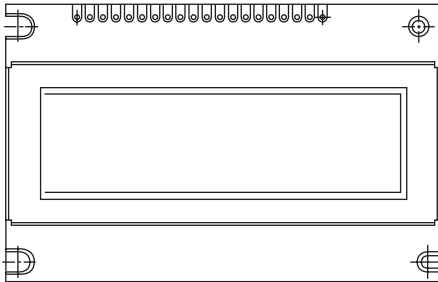


160 x 32 Dots Graphic LCD



FEATURES

- Available for external oscillation 2KHz
- Epson-SED 1520, or equivalent
- 1/32 duty cycle
- N.V. optional for + 3V power supply

| MECHANICAL DATA | | |
|------------------|----------------|------|
| ITEM | STANDARD VALUE | UNIT |
| Module Dimension | 85.2 x 55.0 | mm |
| Viewing Area | 72.0 x 22.0 | mm |
| Mounting Hole | 80.2 x 46.7 | mm |
| Dot Pitch | 0.44 x 0.61 | mm |

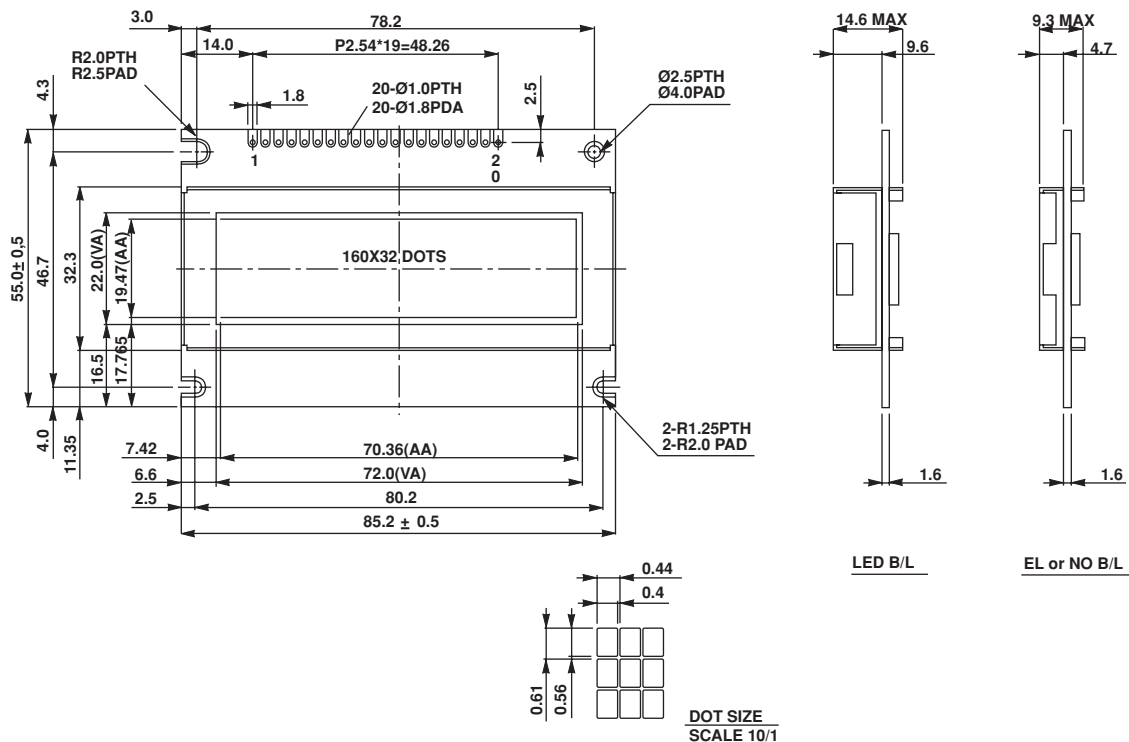
| ABSOLUTE MAXIMUM RATING | | | | | |
|-------------------------|---------|----------------|------|------|------|
| ITEM | SYMBOL | STANDARD VALUE | | | UNIT |
| | | MIN. | TYP. | MAX. | |
| Power Supply | VDD-VSS | 4.75 | 5.0 | 5.52 | V |
| Input Voltage | VI | - 0.3 | - | VDD | V |

NOTE: VSS = 0 Volt, VDD = 5.0 Volt

| ELECTRICAL SPECIFICATIONS | | | | | | |
|--|--------|---------------------|----------------|------|------|------|
| ITEM | SYMBOL | CONDITION | STANDARD VALUE | | | UNIT |
| | | | MIN. | TYP. | MAX. | |
| Input Voltage | VDD | VDD = + 5V | 4.5 | 5.0 | 5.5 | V |
| Supply Current | IDD | VDD = 5V | - | 1.0 | 1.4 | mA |
| Recommended LC Driving Voltage for Normal Temp. Version Module | VDD-V0 | - 2 | 5.8 | 6.0 | 6.2 | V |
| | | 25°C | 5.3 | 5.5 | 5.7 | |
| | | + 7 | 4.8 | 5.0 | 5.2 | |
| LED Forward Voltage | VF | 25°C | - | 4.2 | 4.6 | V |
| LED Forward Current | IF | 25°C | - | 180 | 360 | mA |
| EL Power Supply Current | IEL | Vel = 110VAC; 400Hz | - | - | 5.0 | mA |

| PIN NUMBER | SYMBOL | FUNCTION |
|------------|--------|----------------------------------|
| 1 | Vss | GND |
| 2 | Vdd | (+ 5V) |
| 3 | Vo | Contrast Adjustment |
| 4 | Ao | H →Data L →Instruction |
| 5 | CS1 | CS1 = 0, CS2 = 0 Select U1 |
| 6 | CS2 | CS1 = 1, CS2 = 0 Select U2 |
| 7 | CL | CS1 = 0, CS2 = 1 Select U3 |
| 8 | E | External Clock 2KHz |
| 9 | R/W | Enable Signal |
| 10 | DB0 | H: Read Data L: Write Data |
| 11 | DB1 | Data Bus Line |
| 12 | DB2 | Data Bus Line |
| 13 | DB3 | Data Bus Line |
| 14 | DB4 | Data Bus Line |
| 15 | DB5 | Data Bus Line |
| 16 | DB6 | Data Bus Line |
| 17 | DB7 | Data Bus Line |
| 18 | RES | H →L Reset the LCM |
| 19 | A | Power Supply forLED B/L (+ 4.2V) |
| 20 | K | Power Supply forLED B/L (0V) |

DIMENSIONS in millimeters





Disclaimer

All product specifications and data are subject to change without notice.

Vishay Intertechnology, Inc., its affiliates, agents, and employees, and all persons acting on its or their behalf (collectively, "Vishay"), disclaim any and all liability for any errors, inaccuracies or incompleteness contained herein or in any other disclosure relating to any product.

Vishay disclaims any and all liability arising out of the use or application of any product described herein or of any information provided herein to the maximum extent permitted by law. The product specifications do not expand or otherwise modify Vishay's terms and conditions of purchase, including but not limited to the warranty expressed therein, which apply to these products.

No license, express or implied, by estoppel or otherwise, to any intellectual property rights is granted by this document or by any conduct of Vishay.

The products shown herein are not designed for use in medical, life-saving, or life-sustaining applications unless otherwise expressly indicated. Customers using or selling Vishay products not expressly indicated for use in such applications do so entirely at their own risk and agree to fully indemnify Vishay for any damages arising or resulting from such use or sale. Please contact authorized Vishay personnel to obtain written terms and conditions regarding products designed for such applications.

Product names and markings noted herein may be trademarks of their respective owners.