



Aluminum Electrolytic Capacitors - Specifications for Brackets (Vishay Sprague)

DIMENSIONS AND AVAILABLE FORMS

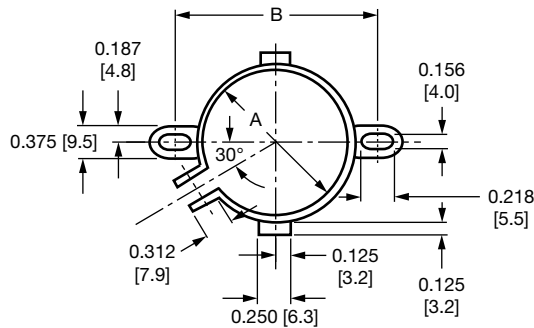


Fig. 1

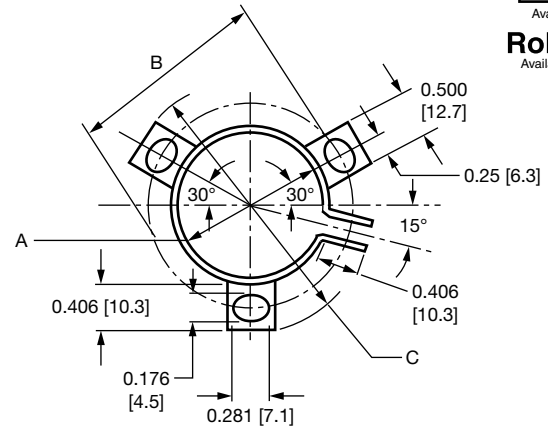
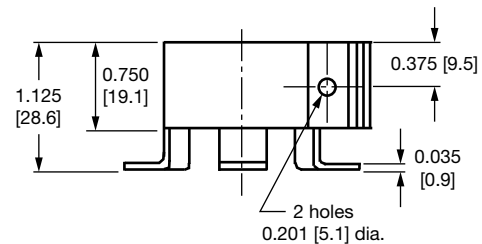
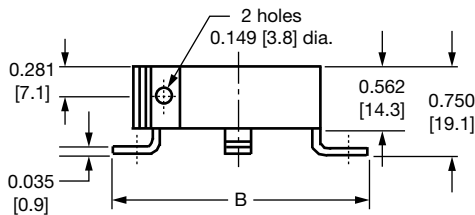


Fig. 2



DIMENSIONS in inches [millimeters]					
BRACKETS (RoHS-COMPLIANT)					
TYPE	PART NUMBER	A	B	C	FIGURE NUMBER
2 feet	1245860035A	1.375 [34.9]	1.781 [45.2]	2.218 [56.3]	1
3 feet	1245860036A	2.000 [50.8]	2.500 [63.5]	2.875 [73.0]	2
3 feet	1245860037A	2.500 [63.5]	3.000 [76.2]	3.375 [85.7]	2
3 feet	1245860038A	3.000 [76.2]	3.500 [88.9]	3.875 [98.4]	2

WHERE USED		
PRODUCT FAMILY	DOCUMENT NUMBER	TO VIEW THE PRODUCT, PLEASE GO TO THE FOLLOWING LINKS:
36D/DE/DX	42066	www.vishay.com/doc?42066
36DA	42067	www.vishay.com/doc?42067
36DY	42065	www.vishay.com/doc?42065

Notes

- * This datasheet provides information about parts that are RoHS-compliant and / or parts that are non RoHS-compliant. For example, parts with lead (Pb) terminations are not RoHS-compliant. Please see the information / tables in this datasheet for details
- Material categorization: for definitions of compliance please see www.vishay.com/doc?99912