

500 PGP-ST Series Power General-Purpose Aluminum Capacitors With Screw Terminals



KEY BENEFITS

- High efficiency and reliability
- Useful life of 5000 h at 85 °C
- Case sizes up to 90 mm x 220 mm
- Voltage rating up to 500 V

APPLICATIONS

- Energy storage in medical or industrial pulse systems
- Uninterruptible power supplies (UPS)
- Welding devices
- Motor drives

RESOURCES

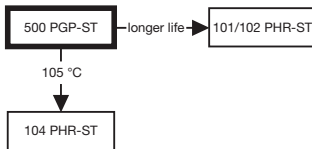
- Datasheet: 500 PGP-ST Series - <http://www.vishay.com/doc?28390>
- For technical questions contact aluminumcaps2@vishay.com
- Material categorization: For definitions of compliance please see <http://www.vishay.com/doc?99912>



RoHS
COMPLIANT

A WORLD OF
SOLUTIONS™

500 PGP-ST Series Power General-Purpose Aluminum Capacitors With Screw Terminals



MARKING

The capacitors are marked with the following information:

- Rated capacitance (in μF)
- Tolerance on rated capacitance, code letter in accordance with IEC 60062 (M for $\pm 20\%$)
- Rated voltage (in V)
- Date code
- Name of manufacturer
- Code for factory of origin
- Code number

QUICK REFERENCE DATA

DESCRIPTION	VALUE	
Nominal case size ($\varnothing D \times L$ in mm)	50 x 80 to 90 x 220	
Rated capacitance range, C_R	680 μF to 22 000 μF	
Tolerance on C_R	$\pm 20\%$	
Rated voltage range, U_R	350 V to 450 V	500 V
Category temperature range	-40 °C to +85 °C	-25 °C to +85 °C
Endurance test at 85 °C	2000 h	
Useful life at 85 °C	5000 h	
Shelf life at 0 V, 85 °C	1000 h	
Based on sectional specification	IEC 60384-4 / EN 130300	
Climatic category IEC 60068	40 / 085 / 56	25 / 085 / 56

SELECTION CHART FOR C_R , U_R , AND RELEVANT NOMINAL CASE SIZES ($\varnothing D \times L$ in mm)					
C_R (μF)	U_R (V)				
	350	400	420	450	500
680	-	-	-	-	50 x 80
1000	-	50 x 80	50 x 80	50 x 80	50 x 80
1200	-	50 x 80	50 x 80	50 x 80	50 x 105
1500	50 x 80	50 x 105	50 x 105	50 x 105	-
1800	-	50 x 105	50 x 105	50 x 105	65 x 105
2200	50 x 105	50 x 105 65 x 105	65 x 105	65 x 105	65 x 105
2700	-	65 x 105	65 x 105	65 x 105	76 x 105
3300	65 x 105	65 x 105	65 x 105	76 x 105	76 x 105
3900	-	65 x 105	76 x 105	76 x 105	-
4700	65 x 105	76 x 105	76 x 114	76 x 114	76 x 146
5600	76 x 105	76 x 114	-	76 x 146	76 x 146
6800	76 x 105	76 x 146	76 x 146	90 x 146	76 x 220
8200	-	90 x 146	90 x 146	76 x 220	76 x 220
10 000	76 x 146	76 x 220 90 x 146	76 x 220	76 x 220	-
12 000	76 x 220	76 x 220	-	90 x 220	90 x 220
15 000	76 x 220	90 x 220	90 x 220	90 x 220	-
18 000	-	90 x 220	-	-	-
22 000	90 x 220	-	-	-	-

DIMENSIONS in millimeters AND AVAILABLE FORMS

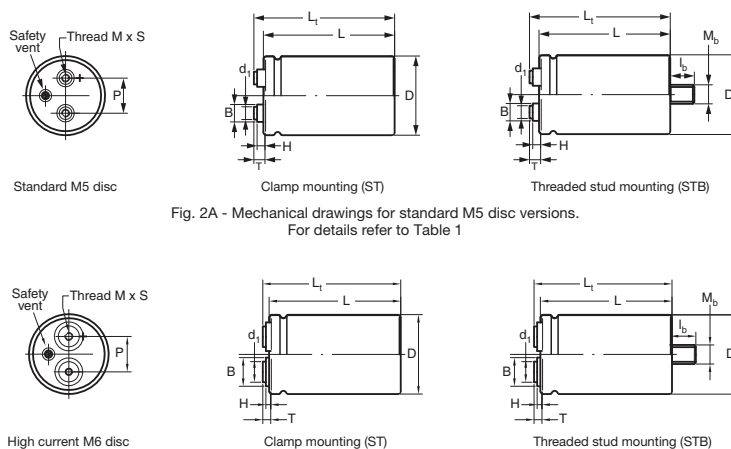


Fig. 2A - Mechanical drawings for standard M5 disc versions.
For details refer to Table 1

Fig. 2B - Mechanical drawings for high current M6 disc versions.
For details refer to Table 1

Notes

- Maximum permissible torque which may be applied to the termination screws: 2 Nm for M5; 2.5 Nm for M6
For accessories refer to document "Mounting Accessories", see www.vishay.com/doc?28348
The capacitors are delivered with screws and washers
- High current disc with 1/4 28 UNF (US) thread is available on request

Note

Please see datasheet table 1 for actual dimensions.