

# POWER METAL STRIP® RESISTOR

## WSMS2908



Resistors - 3 W Power Capability in 2908 Package

### 3 W Power Metal Strip Meter Shunt Resistor



#### KEY BENEFITS

- The WSMS2908 meter shunt has 3 W power capability in 2908 size package
- Very low resistance values:
  - 100  $\mu\Omega$ , 250  $\mu\Omega$ , 300  $\mu\Omega$ , 430  $\mu\Omega$ , 500  $\mu\Omega$
- Electron-beam welded construction
- Standard 5-terminal design for meters that offers 4-terminal Kelvin connections for sensing

#### APPLICATIONS

- Current meter shunt
- Industrial/consumer: electronic power (kWh) meter
  - Single-phase
  - Poly-phase
- Solar power
- Wind turbine

#### RESOURCES

- Datasheet: WSMS2908 - <http://www.vishay.com/doc?30160>
- For technical questions contact [ww2bresistors@vishay.com](mailto:ww2bresistors@vishay.com)

One of the World's Largest Manufacturers of  
Discrete Semiconductors and Passive Components



# POWER METAL STRIP® RESISTOR

## WSMS2908



### 3 W Power Metal Strip Meter Shunt Resistor



#### FEATURES

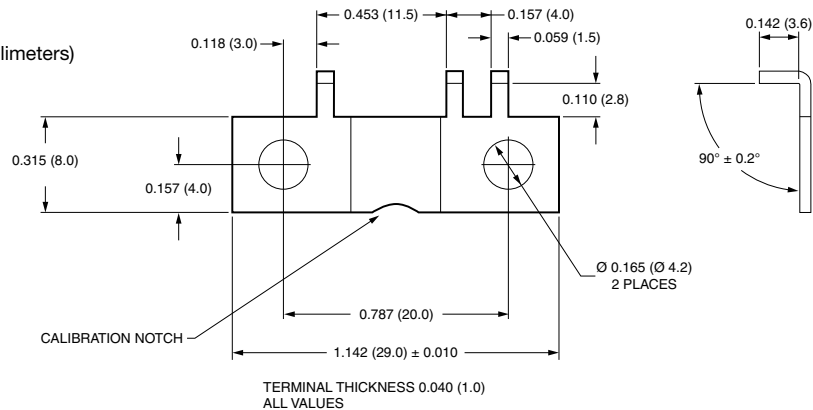
- High power to resistor size ratio
- 5-terminal connection design
- Use for single or multi-phase energy meters
- Proprietary processing technique produces extremely low resistance values
- All welded construction
- Very low inductance ( $< 5 \text{ nH}$ )
- Low thermal EMF ( $< 3 \mu\text{V}/^\circ\text{C}$ )
- Compliant to RoHS directive 2002/95/EC



RoHS  
COMPLIANT

GREEN  
(5-2009)\*\*

#### DIMENSIONS in inches (millimeters)



#### STANDARD ELECTRICAL SPECIFICATIONS

GLOBAL MODEL	SIZE	POWER RATING $P_{70^\circ\text{C}}$ W	TOLERANCE %	RESISTANCE VALUE RANGE $\Omega$	RESISTANCE VALUES CURRENTLY AVAILABLE <sup>(1)</sup> $\Omega$	WEIGHT (typical) g/1000 pieces
WSMS2908	2908	3.0	5.0	50 $\mu$ to 1000 $\mu$	100 $\mu$ , 250 $\mu$ , 300 $\mu$ , 430 $\mu$ , 500 $\mu$	2100

#### Note

<sup>(1)</sup> Other values may be available, contact factory

#### TECHNICAL SPECIFICATIONS

PARAMETER	UNIT	RESISTOR CHARACTERISTICS
Temperature Coefficient	ppm/ $^\circ\text{C}$	$\pm 500$ for 100 $\mu\Omega$ , $\pm 225$ for 250 $\mu\Omega$ , $\pm 175$ for 300 $\mu\Omega$ , 430 $\mu\Omega$ , and 500 $\mu\Omega$
Operating Temperature Range	$^\circ\text{C}$	- 65 to + 170
Maximum Current Rating	A	$(P/R)^{1/2}$

#### GLOBAL PART NUMBER INFORMATION

GLOBAL PART NUMBERING: WSMS2908L2500JK (WSMS2908, 0.00025  $\Omega$ ,  $\pm 5\%$ )

W S M S 2 9 0 8 L 2 5 0 0 J K

GLOBAL MODEL	RESISTANCE VALUE	TOLERANCE CODE	PACKAGING CODE	SPECIAL
WSMS2908	L = m $\Omega$ L1000 = 0.00010 $\Omega$ L2500 = 0.00025 $\Omega$ L3000 = 0.00030 $\Omega$ L4300 = 0.00043 $\Omega$ L5000 = 0.00050 $\Omega$	J = $\pm 5.0\%$	K = Bulk pack E = Tape and reel	(Dash number) (Up to 2 digits) From 1 to 99 as applicable

Revision 12-Jul-10

Resistors - 3 W Power Capability in 2908 Package