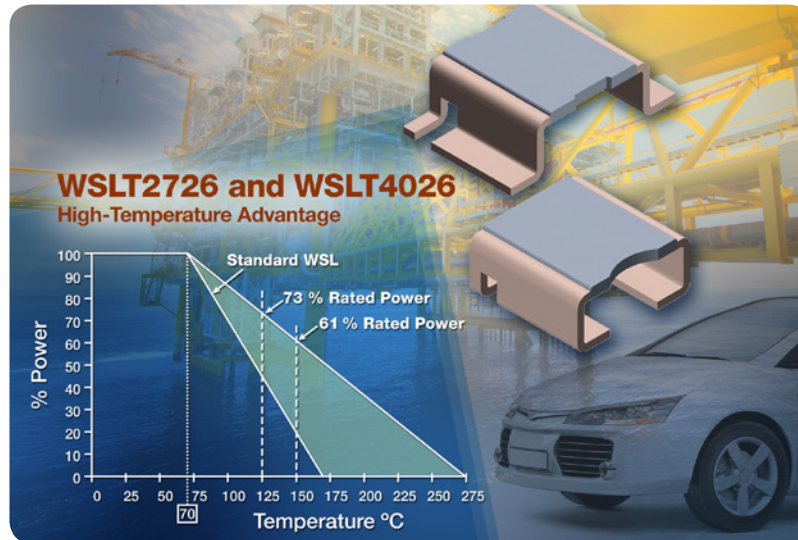




POWER METAL STRIP® RESISTORS

WSLT2726, WSLT4026

Power Metal Strip® Resistors, High-Temperature, 3 W, Surface-Mount, 4-Terminal



KEY BENEFITS

- Operating temperature range of -65 °C to +275 °C
- 4-terminal construction for accurate current measurement
- Very low resistance values (0.002 Ω, 0.003 Ω, 0.004 Ω, 0.005 Ω)

APPLICATIONS

- Automotive: electronic controls (engine controls, audio electronics, climate controls, electronic power steering, anti-lock brakes, etc.)
- Industrial: Oil and natural gas drilling (down hole test/measurement equipment)

RESOURCES

- Datasheet: WSLT2726 - www.vishay.com/doc?30185
WSLT4026 - www.vishay.com/doc?30186
- For technical questions contact ww2bresistors@vishay.com
- Material categorization: For definitions please see www.vishay.com/doc?99912



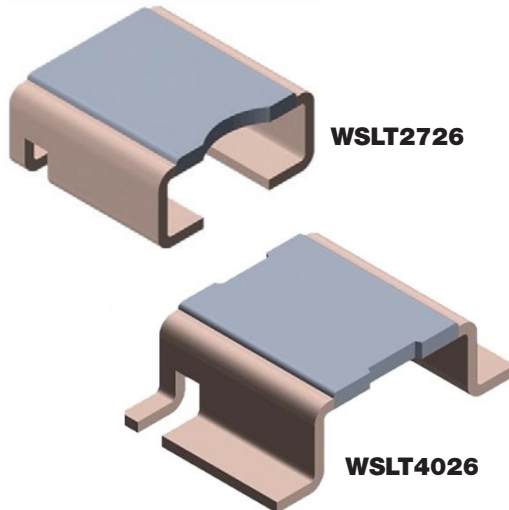
RoHS
COMPLIANT

HALOGEN
FREE

GREEN
[5-2008]



Power Metal Strip® Resistors, High-Temperature, 3 W, Surface-Mount, 4-Terminal


FEATURES

- 4-terminal design allows for 1 % tolerance down to 0.002 Ω
- High power-to-footprint size ratio
- Ideal for all types of current sensing, voltage division and pulse applications, including switching and linear power supplies, instruments, power amplifiers and shunts
- Proprietary processing technique produces extremely low resistance values, down to 0.0005 Ω
- All welded construction
- Solid metal nickel-chrome resistive element with low TCR (< 20 ppm/°C)
- Very low inductance 0.5 nH to 5 nH
- Low thermal EMF (< 3 μV/°C)
- AEC-Q200 qualified available ⁽¹⁾
- Material categorization: For definitions of compliance please see www.vishay.com/doc?99912

Note

- ⁽¹⁾ Flame retardance test may not be applicable to some resistor technologies.

WSLT2726

STANDARD ELECTRICAL SPECIFICATIONS						
GLOBAL MODEL	SIZE	POWER RATING $P_{70\text{ }^\circ\text{C}}$ W	TOLERANCE ± %	RESISTANCE VALUE RANGE mΩ	RESISTANCE VALUES CURRENTLY AVAILABLE ⁽²⁾ Ω	WEIGHT (typical) g/1000 pieces
WSLT2726	2726	3.0	1.0	0.3 to 5	2m, 3m, 4m, 5m	420
WSLT4026	4026	3.0	1.0	0.3 to 5	2m, 3m, 4m, 5m	420

Notes

- Power rating depends on the max. temperature at the solder point, component placement density and the substrate material.
 - Part marking: Model, value, tolerance, date code.
- ⁽²⁾ Other values may be available, contact factory.

TECHNICAL SPECIFICATIONS		
PARAMETER	UNIT	RESISTOR CHARACTERISTICS
Temperature coefficient	ppm/°C	± 75 over temperature of +20 °C to +60 °C
Operating temperature range	°C	-65 to +275
Maximum continuous current	V	$(P \times R)^{1/2}$

GLOBAL PART NUMBER INFORMATION

Global Part Numbering: WSLT27265L000FEA (WSLT2726, 0.005 Ω, ± 1 %)

W	S	L	T	2	7	2	6	5	L	0	0	0	F	E	A		
GLOBAL MODEL		RESISTANCE VALUE			TOLERANCE CODE			PACKAGING CODE				SPECIAL					
WSLT2726		L = mΩ			F = ± 1.0 %			EA = Lead (Pb)-free, tape/reel				(Dash number) (up to 2 digits) From 1 to 99 as applicable					
WSLT4026		2L000 = 0.002 Ω						EK = Lead (Pb)-free, bulk									
		3L000 = 0.003 Ω															
		4L000 = 0.004 Ω															
		5L000 = 0.005 Ω															

Revision 29-Apr-14