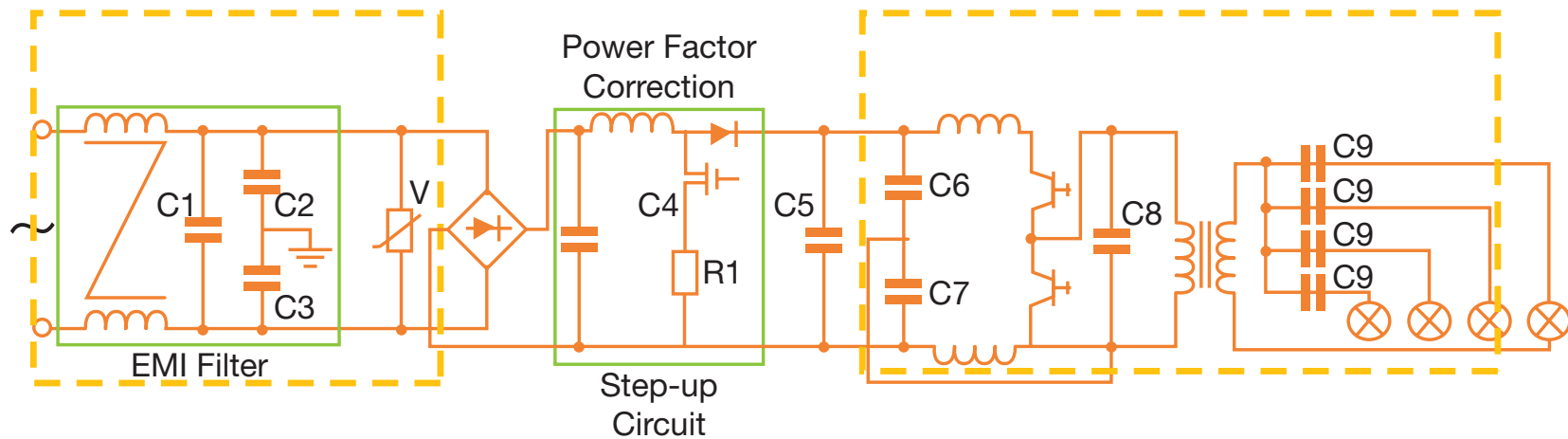




## Recommended Film Capacitors Usage for Lighting Ballast in the US



CAPACITOR	TYPE	FUNCTION	FAMILY
C1	IS	X2	339 (275 Vac) 1778 (305 Vac)
C2, C3	IS	Y2	1710
C4, C6, C7	GP	DC + Ripple	303/468
C8, C9	AC & Pulse	Resonant Cap	385/383