



POWER THICK FILM RESISTORS

LPS 300, LPS 600, LPS 800



Thick Film Power Resistors Heatsink Mounting



KEY BENEFITS

- High-power dissipation: 300 W, 600 W, and 800 W at 85 °C
- Small size: 57 mm x 60 mm
- Non-inductive: < 0.1 μ H
- Wide resistance range: from 0.3 Ω to 900 k Ω , E24 series
- High-dielectric strength: up to 12 kV_{RMS}
- Low weight: 83 g

APPLICATIONS

- Wind turbines
- Inverters
- Converters
- Snubbers
- Discharge resistors
- Power supplies in trains and medical equipment

RESOURCES

- Datasheet: LPS 300 - <http://www.vishay.com/doc?50052>
- Datasheet: LPS 600 - <http://www.vishay.com/doc?50053>
- Datasheet: LPS 800 - <http://www.vishay.com/doc?50054>
- For technical questions contact sfer@vishay.com

Resistors - Power Resistors for Heatsink Mounting

One of the World's Largest Manufacturers of
Discrete Semiconductors and Passive Components



POWER THICK FILM RESISTORS

LPS 300, LPS 600, LPS 800

Thick Film Power Resistors Heatsink Mounting



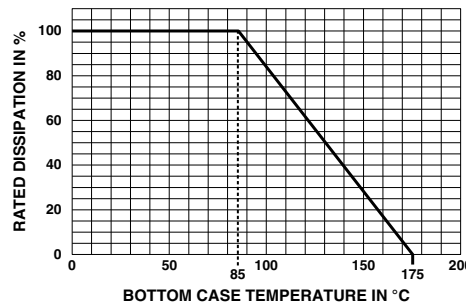
FEATURES

- 300 W, 600 W, and 800 W at 85 °C case temperature
- Wide resistance range: 0.3 Ω to 900 kΩ E24 series
- Non inductive
- Easy mounting
- Low thermal radiation of the case
- Compliant to RoHS directive 2002/95/EC

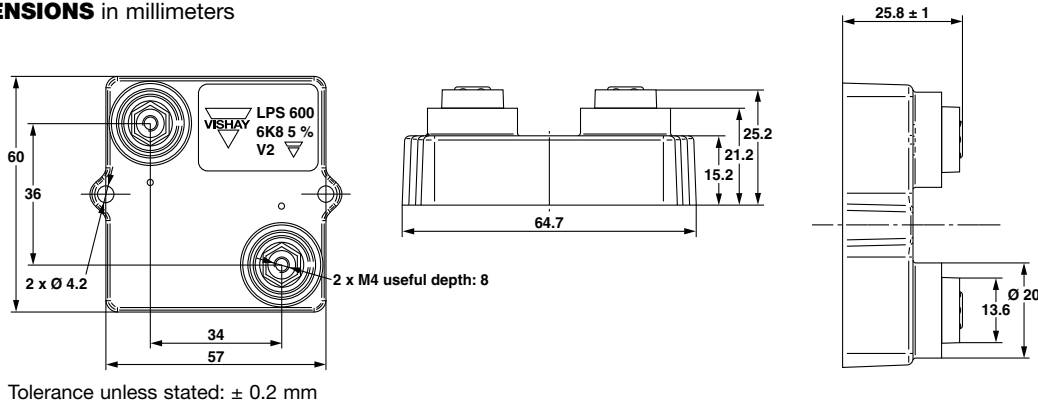


POWER RATING CHART

The temperature of the case should be maintained within the limits specified in the following figure. To optimize the thermal conduction, contacting surfaces should be coated with silicone grease or thermal film, and heatsink mounting screws tightened to 2 Nm.



DIMENSIONS in millimeters



GLOBAL PART NUMBER INFORMATION														
L	P	S	0	6	0	0	H	4	7	R	0	J	B	
GLOBAL MODEL	DIELECTRIC		OHMIC VALUE			TOLERANCE		PACKAGING		SPECIAL				
LPS 600	L = Dielectric strength 7 kV H = Dielectric strength 12 kV		The first three digits are significant figures and the last digit specifies the number of zeros to follow. R designates decimal point. 48R7 = 48.7 Ω 47R0 = 47 Ω 1001 = 1 kΩ 4R70 = 4.7 Ω R240 = 0.24 Ω			F = 1 % G = 2 % J = 5 % K = 10 %		B = Box 15 pieces		As applicable ZAx				

Revision 27-Oct-10

Resistors - Power Resistors for Heatsink Mounting