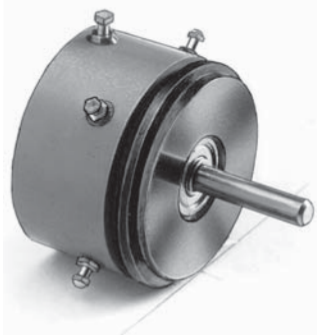


Precision Rotative Transducers 360° Special Laws: Sine/Cosine



Rotational motion transducers with trigonometric laws for a full angle measurement: 360° (no dead band).

QUICK REFERENCE DATA	
Sensor type	ROTATIONAL, conductive plastic
Output type	Output by turrets
Market appliance	Professional
Dimensions	1 1/16" (27 mm)

FEATURES

- Laws: sine and cosine
- Size 11
- Continuous measure on 360°
- Long life up to 25 10⁶ cycles
- Conformity from ± 1 % down to ± 0.5 %
- Bushing or servo mounting
- Following MIL-R-39023 requirements
- Material categorization: for definitions of compliance please see www.vishay.com/doc?99912



SIZE	11	
MODEL	116 SFZ	116 BFZ
LAW	Z: Sine and cosine	

ELECTRICAL SPECIFICATIONS	
Theoretical Electrical Angle (TEA) = 360°	Actual electrical angle (AEA) = TEA
Conformity Peak to Peak	A ≤ ± 1 % or B ≤ ± 0.5 %
Number of Cups	Up to 2
Ohmic Values (R _T per quadrant)	1 kΩ - 5 kΩ - 10 kΩ - on request other values
Ohmic Value Tolerances at 20 °C	± 20 %
Output Smoothness	≤ 0.05 %
Maximum Power Rating at 70 °C	0.4 W
Wiper Current	Recommended: a few μA - 1 mA max. (continuous)
Ground Taps	On request
Resistance Load on Wiper	Minimum 10 ³ x R _T
Resolution	Essentially infinite
Insulation Resistance	≥ 1000 MΩ, 500 V _{DC}
Dielectric Strength	≥ 500 V _{RMS} , 50 Hz

MECHANICAL SPECIFICATIONS							
Mechanical Angle (MA)	360° continuous						
Mounting Type	Servo Bushing						
Shaft Guiding	Ball bearings Sleeve bearings						
Shaft	Stainless steel						
Housing	Plastic molding						
Termination	Turrets						
Wiper	Precious metal multi-finger contact						
Starting Torque (N.cm)	<table border="0" style="width: 100%;"> <tr> <td style="width: 30%;"></td> <td style="width: 30%; text-align: center;">1 cup ≤ 0.3</td> <td style="width: 30%; text-align: center;">≤ 0.5</td> </tr> <tr> <td></td> <td style="text-align: center;">2 cups ≤ 0.5</td> <td style="text-align: center;">≤ 0.8</td> </tr> </table>		1 cup ≤ 0.3	≤ 0.5		2 cups ≤ 0.5	≤ 0.8
	1 cup ≤ 0.3	≤ 0.5					
	2 cups ≤ 0.5	≤ 0.8					
Weight (g)	30 ± 2 (1 cup) + 17 ± 2 (2 cups)						



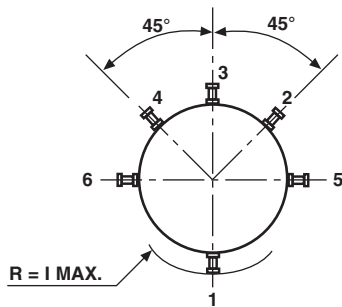
PERFORMANCE		
Life (10 ⁶ cycles)	≥ 25 (servo)	≥ 15 (bushing)
Temperature Range	-55 °C to +125 °C	
Climatic Category	55/125/04	
Speed Rotation (RPM)	600 (servo)	150 (bushing)
Sine Vibration on 3 Axes	1.5 mm or 20 g from 10 Hz to 2000 Hz	
Mechanical Shocks on 3 Axes	50 g - 11 ms - half sine	

Note

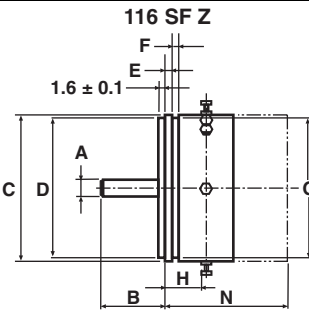
- Nothing stated herein shall be construed as a guarantee of quality or durability.

TRIGONOMETRIC FUNCTIONS		
SINE/COSINE OVER 360°		
LAW Z		$\frac{e_s}{E} = \sin \alpha$ $\frac{e_c}{E} = \cos \beta$ $0^\circ \leq \alpha \leq 360^\circ$ $\beta = \alpha + 90^\circ$

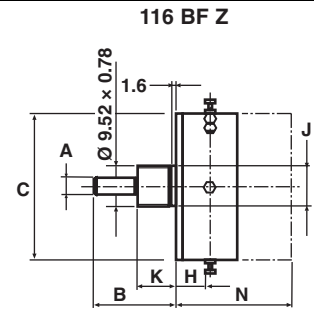
DIMENSIONS in millimeters, general tolerance ± 0.5 mm



- POWER SUPPLY (+)
- POWER SUPPLY (-)
- WIPER (SINE)
- WIPER (COSINE)
- GROUND TAP (ON REQUEST)
- GROUND TAP (ON REQUEST)



SIZE 11



DIMENSIONS mm	A +0 -0.013	B max.	C max.	D +0 -0.013	E ± 0.1	F min.	G max.	H min.	I max.	J +0 -0.02	K max.	N max. (1 cup)	N max. (2 cups)
DESIGNATION													
116 SF Z	3.175	16.6	27.05	24.608	1.6	1.5	24.8	4.5	17.3	-	-	18.5	35
116 BF Z		20	27.05	-	-	-	-	3	-	10.3	9.6	16.5	33

ORDERING INFORMATION/DESCRIPTION

ROT	116	S	F	Z	1	A	502	e1
SERIES	MODEL	MOUNTING TYPE	CONDUCTOR	LAW	NUMBER OF CUPS	CONFORMITY	OHMIC VALUE	LEAD FINISH
		S: Servo B: Bushing	F: Plastic	Z: Sine/cosine	2 max.	A: ± 1 % B: ± 0.5 %	First 2 digits are significant numbers 3rd digit indicates number of zeros	

Note

- Special characteristics and designs on request

SAP PART NUMBERING GUIDELINES

RO 116SFZ	1	B	103
MODEL	GANG NUMBER	CONFORMITY	OHMIC VALUE
	1 or 2	A or B	10 kΩ



Disclaimer

ALL PRODUCT, PRODUCT SPECIFICATIONS AND DATA ARE SUBJECT TO CHANGE WITHOUT NOTICE TO IMPROVE RELIABILITY, FUNCTION OR DESIGN OR OTHERWISE.

Vishay Intertechnology, Inc., its affiliates, agents, and employees, and all persons acting on its or their behalf (collectively, "Vishay"), disclaim any and all liability for any errors, inaccuracies or incompleteness contained in any datasheet or in any other disclosure relating to any product.

Vishay makes no warranty, representation or guarantee regarding the suitability of the products for any particular purpose or the continuing production of any product. To the maximum extent permitted by applicable law, Vishay disclaims (i) any and all liability arising out of the application or use of any product, (ii) any and all liability, including without limitation special, consequential or incidental damages, and (iii) any and all implied warranties, including warranties of fitness for particular purpose, non-infringement and merchantability.

Statements regarding the suitability of products for certain types of applications are based on Vishay's knowledge of typical requirements that are often placed on Vishay products in generic applications. Such statements are not binding statements about the suitability of products for a particular application. It is the customer's responsibility to validate that a particular product with the properties described in the product specification is suitable for use in a particular application. Parameters provided in datasheets and / or specifications may vary in different applications and performance may vary over time. All operating parameters, including typical parameters, must be validated for each customer application by the customer's technical experts. Product specifications do not expand or otherwise modify Vishay's terms and conditions of purchase, including but not limited to the warranty expressed therein.

Except as expressly indicated in writing, Vishay products are not designed for use in medical, life-saving, or life-sustaining applications or for any other application in which the failure of the Vishay product could result in personal injury or death. Customers using or selling Vishay products not expressly indicated for use in such applications do so at their own risk. Please contact authorized Vishay personnel to obtain written terms and conditions regarding products designed for such applications.

No license, express or implied, by estoppel or otherwise, to any intellectual property rights is granted by this document or by any conduct of Vishay. Product names and markings noted herein may be trademarks of their respective owners.