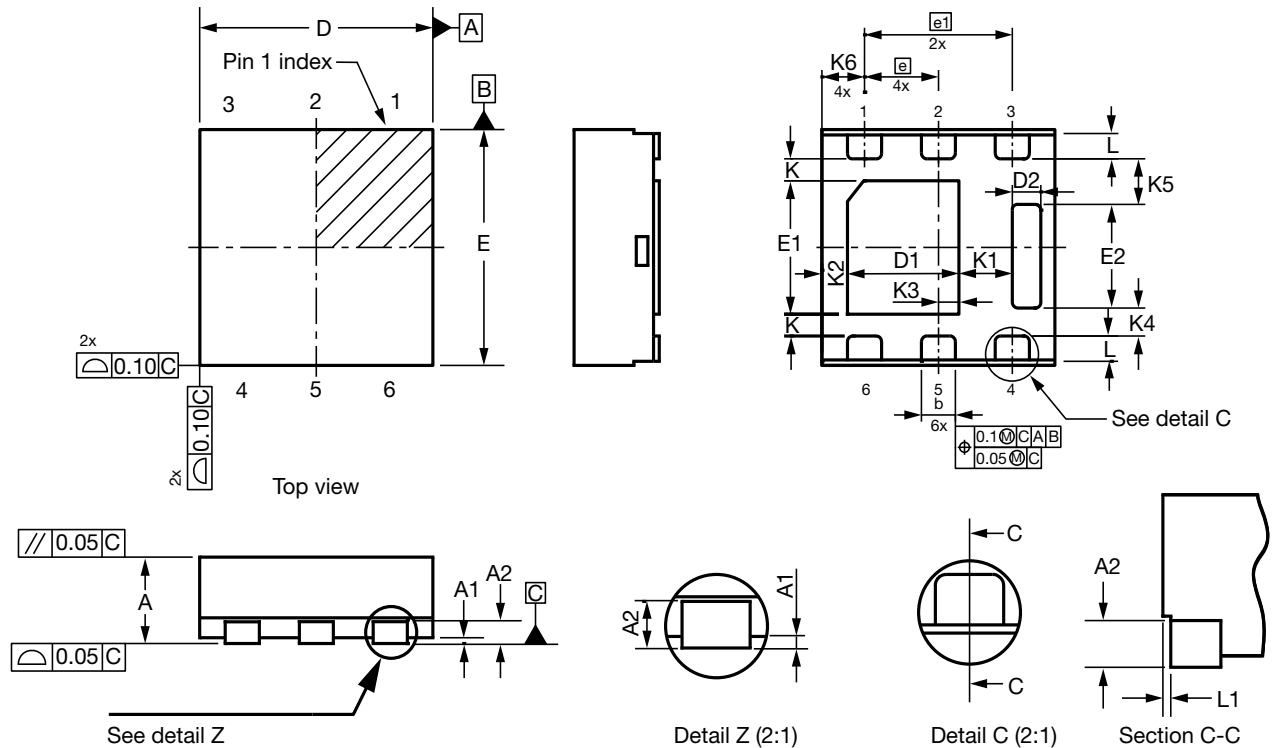


## Case Outline for PowerPAK® SC-70W-6L Step-Cut



DIM.	MILLIMETERS			INCHES		
	MIN.	NOM.	MAX.	MIN.	NOM.	MAX.
A	0.65	0.75	0.85	0.026	0.030	0.033
A1	0.00	0.02	0.05	0.000	0.001	0.002
A2	0.18	0.21	-	0.007	0.008	-
b	0.25	0.30	0.35	0.010	0.012	0.014
D	1.95	2.05	2.15	0.077	0.081	0.085
D1	0.88	0.98	1.08	0.035	0.039	0.043
D2	0.20	0.25	0.30	0.008	0.010	0.012
E	1.95	2.05	2.15	0.077	0.081	0.085
E1	1.06	1.16	1.26	0.042	0.046	0.050
E2	0.85	0.90	0.95	0.033	0.035	0.037
e		0.65 BSC			0.026 BSC	
e1		1.30 BSC			0.051 BSC	
K		0.19 ref.			0.007 ref.	
K1		0.47 ref.			0.019 ref.	
K2		0.23 ref.			0.009 ref.	
K3		0.18 ref.			0.007 ref.	
K4		0.24 ref.			0.009 ref.	
K5		0.40 ref.			0.016 ref.	
K6		0.38 ref.			0.015 ref.	
L	0.17	0.22	0.27	0.007	0.009	0.011
L1		0.035 ref.			0.001 ref.	

ECN: C21-0068-Rev. A, 08-Feb-2021

DWG: 6085

### Notes

- All dimensions are in millimeter
- Package outline exclusive of mold flash and metal burr
- Package outline inclusive of plating