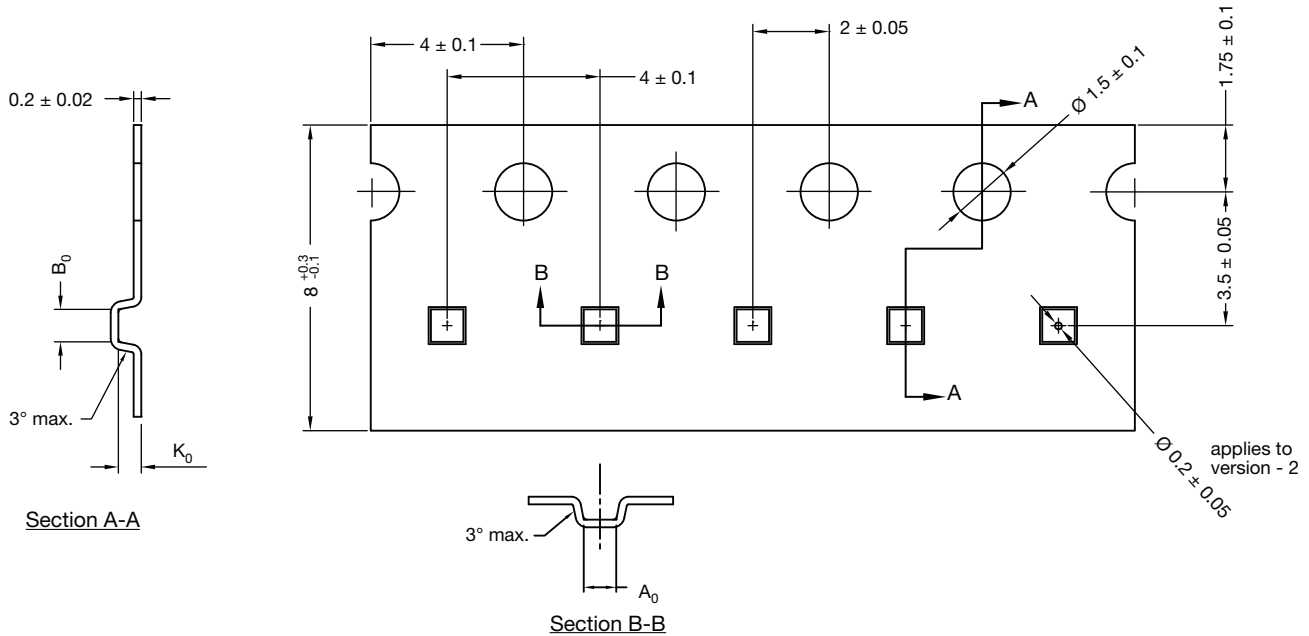




WCSP 2 x 2 Carrier Tape



| Version | A ₀ | B ₀ | K ₀ | Reel Dia | Length | Comment |
|---------|----------------|----------------|----------------|----------|--------------|-------------------------------------|
| - 1 | 0.89 ± 0.03 | 0.89 ± 0.03 | 0.63 ± 0.03 | 178 mm | 14 m approx. | |
| - 2 | 0.89 ± 0.03 | 0.89 ± 0.03 | 0.63 ± 0.03 | 178 mm | 14 m approx. | w / center hole for Manila use only |
| - 3 | 0.85 ± 0.03 | 0.85 ± 0.03 | 0.60 ± 0.03 | 178 mm | 14 m approx. | Update for TW use |

Notes

1. 10 sprocket hole pitch cumulative tolerance ± 0.2 mm.
2. Camber not to exceed 1 mm in 100 mm, also not to exceed 1 cm in 1 m actually.
3. Material: black conductive polycarbonate.
4. Pocket position relative to sprocket hole measured as true position of pocket, not pocket hole.
5. All sizes in mm unless specified.
6. Surface resistivity - 10⁴ to 10¹¹ Ω.

C15-0455-Rev. F, 11-May-15
 DWG: 93-5296-X