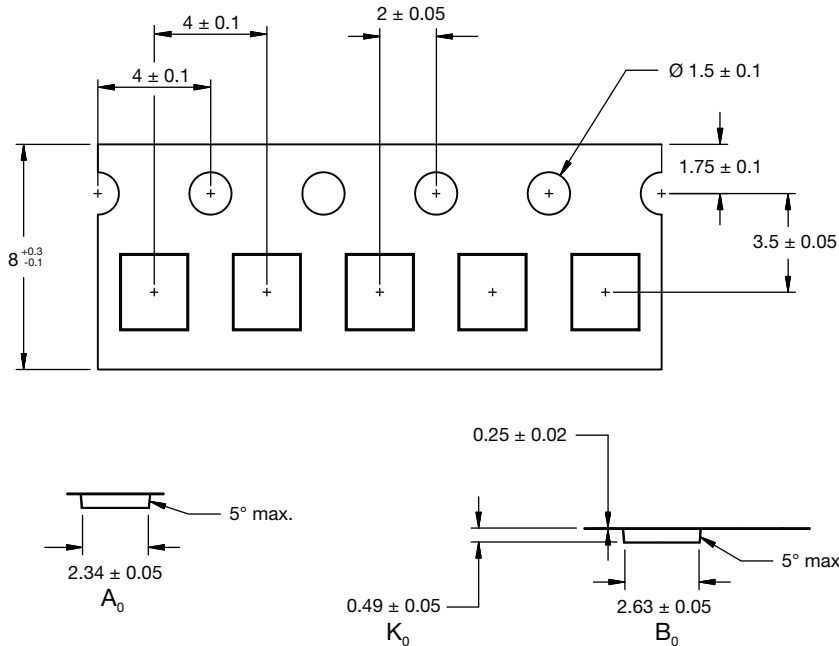


Carrier Tape for Power MICRO FOOT® 2.4 x 2



Notes

- (1) 10 sprocket hole pitch cumulative tolerance ± 0.2 mm.
- (2) Camber not to exceed 1 mm in 100 mm, also not to exceed 1 cm in 1 m actually.
- (3) Material: Black conductive polycarbonate. $0.25 \text{ mm} \pm 0.02 \text{ mm}$ thickness.
- (4) Pocket position relative to sprocket hole measured as true position of pocket, not pocket hole.
- (5) All sizes in mm unless specified.
- (6) Use 13" lock reel with 8.4 mm width (see row 4 of drawing of 93-5211-X).
- (7) Use seal tape with 5.4 mm width (see row 8 of drawing of 92-5210-X).
- (8) Vishay part number must be labeled at all reels of cover and carrier tape.
- (9) Surface resistivity - 10^5 max. Ω/sq .

QUANTITY PER REEL

T1	3000
----	------

ECN: C15-1434-Rev. B, 02-Nov-15
 DWG: 93-5313-X