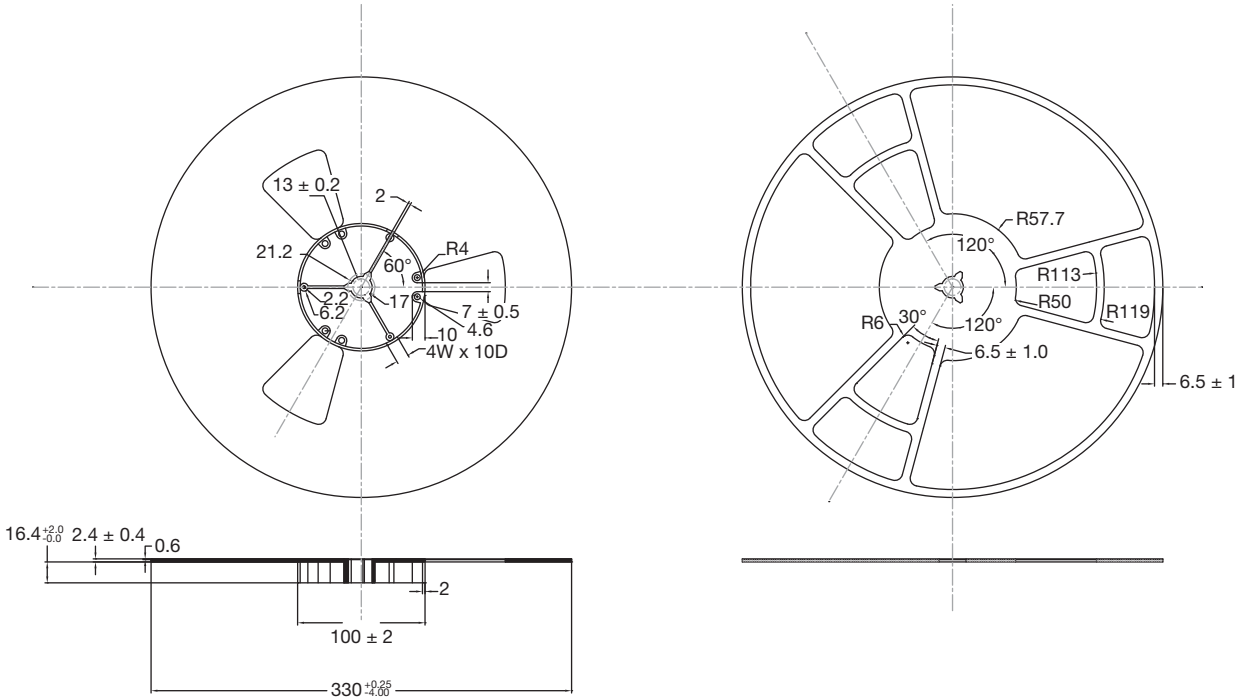


## REEL FOR SOT223



### Notes

1. Material: Polystyrene (red).
2. Antistatic cotated.
3. Flange warpage: 3 mm maximum.
4. All dimensions are in mm.
5. ESD-surface resistivity -  $10^5$  to  $10^{12}$   $\Omega$ /sq.
6. General tolerance:  $\pm 0.25$  unless otherwise specified.
7. Total thickness of reel: 22.4 max.

ECN: X10-0299-Rev. A, 23-Aug-10  
 DWG: 93-5280-X