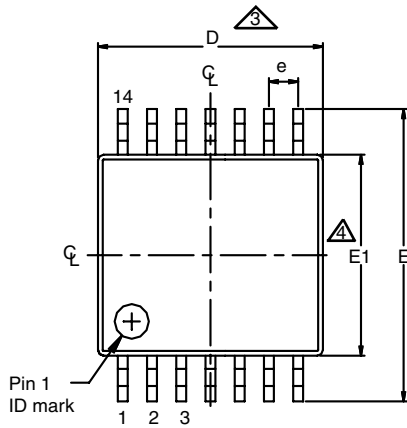
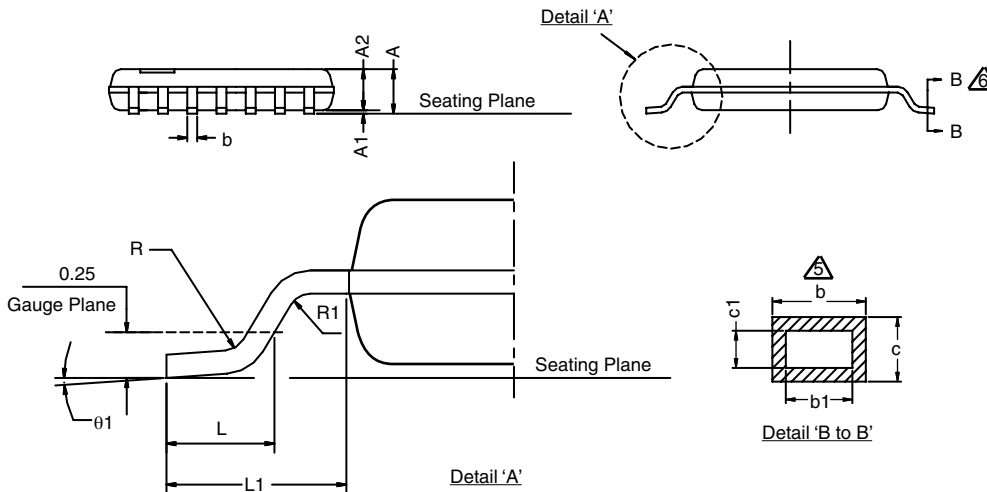


14L TSSOP



Notes:

1. All dimensions are in millimeters (angles in degrees)
2. Dimensioning and tolerancing per ANSI Y14.5M-1982
- ⚠ Dimension 'D' does not include mold flash, protrusions or gate burrs
- ⚠ Dimension 'E1' does not include internal flash or protrusion
- ⚠ Dimension 'b' does not include dambar protrusion
- ⚠ Cross section B to B to be determined at 0.10 mm to 0.25 mm from the lead tip



SYMBOL	MINIMUM	NOMINAL	MAXIMUM
A	-	-	1.20
A1	0.05	-	0.15
A2	0.80	0.90	1.05
D	4.9	5.0	5.1
E1	4.3	4.4	4.5
E	6.2	6.4	6.6
L	0.45	0.60	0.75
R	0.09	-	-
R1	0.09	-	-
b	0.19	-	0.30
b1	0.19	0.22	0.25
c	0.09	-	0.20
c1	0.09	-	0.16
θ1	0°	-	8°
L1		1.0 ref.	
e		0.65 BSC	

ECN: T-07766-Rev. A, 14-Jan-08
 DWG: 5962