

JFET Biasing Techniques

Introduction

Engineers who are not familiar with proper biasing methods often design FET amplifiers that are unnecessarily sensitive to device characteristics.

One way to obtain consistent circuit performance, in spite of device variations, is to use a combination of constant voltage and self biasing. The combined circuit configuration turns out to be the same as that generally used with bipolar transistors, but its operation and design are quite different.

Three Basic Circuits

Let's examine three basic common-source circuits that can be used to establish a FET's operating point (Q-point) and then see how two of them can be combined to provide greatly improved performance.

The three basic biasing schemes are:

- Constant-voltage bias, which is most useful for RF and video amplifiers employing small dc drain resistors.
- Constant-current bias, which is best suited to low-drift dc amplifier applications such as source followers and source-coupled differential pairs.
- Self bias (also called source bias or automatic bias), which is a somewhat universal scheme particularly valuable for ac amplifiers.

The Q-point established by the intersection of the load line and the $V_{GS} = -0.4$ V output characteristic of Figure 1 provides a convenient starting point for the circuit comparison. The load line shows that a drain supply voltage, V_{DD} , of 30 V and a drain resistance, R_D , of 39 k Ω are being used.

The quiescent drain-to-source voltage, V_{DSQ} , is 16 V, allowing large signal excursions at the drain. Maximum

input signal variations of ± 0.2 V will produce output voltage swings of ± 7.0 V, and a voltage gain of 35 where:

$$A_v = \frac{g_{fs} R_D}{1 + R_D g_{os}} \quad (1)$$

g_{os} = JFET output conductance

In most applications, $R_D g_{os}$ is negligible, therefore:

$$A_v \approx g_{fs} R_D \quad (2)$$

Constant-Voltage Bias

The constant-voltage bias circuit (Figure 2) is analyzed by superimposing a line for $V_{GG} = \text{constant}$ on the transfer characteristic of the FET (2N4339 typical device).

The transfer characteristic is a plot of I_D vs. V_{GS} for constant V_{DS} . Since the curve doesn't change much with changes in V_{DS} , it is useful in establishing operating bias points. In fact, it is probably more useful than the output characteristics because its curvature clearly warns of the distortion to be expected with large input signals. Furthermore, when a bias load line is superimposed, allowable signal excursions become evident, and input voltage, gate-source signal voltage, and output signal current calculations may be made graphically.

The heavy vertical line at $V_{GS} = -0.4$ V establishes the Q-point of Figure 1. No voltage is dropped across resistor R_G because the gate current is essentially zero. R_G serves mainly to isolate the input signal from the V_{GG} supply.

Excursions of the input signal, e_g , combine in series with V_{GS} so that they add algebraically to the fixed value of -0.4 V. The effect of signal variation is to instantaneously shift the bias line horizontally without changing its slope. The shifting bias line then develops the output signal current (Figure 2).

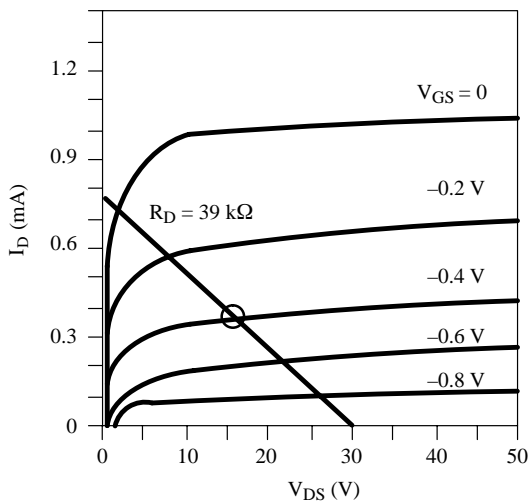


Figure 1. Output Characteristic Curve—A large dynamic range is provided by the operating point at $V_{DSQ} = 15\text{ V}$, $I_{DQ} = 0.4\text{ mA}$, and $V_{GSQ} = -0.4\text{ V}$.

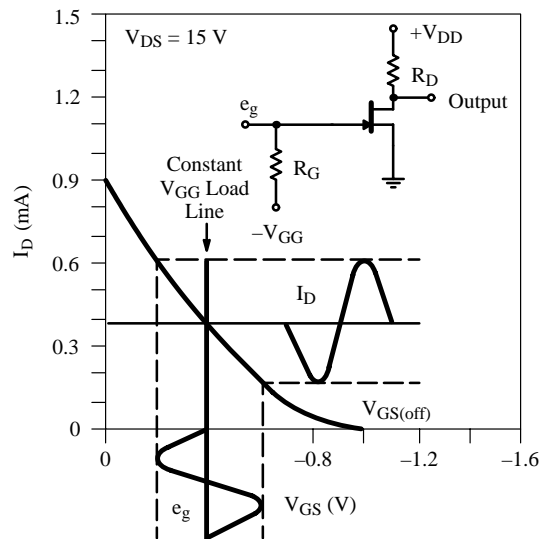


Figure 2. Transfer Curve—Constant-voltage bias is maintained by the V_{GG} supply as shown on this typical transfer curve. Input signal e_g moves the load line horizontally.

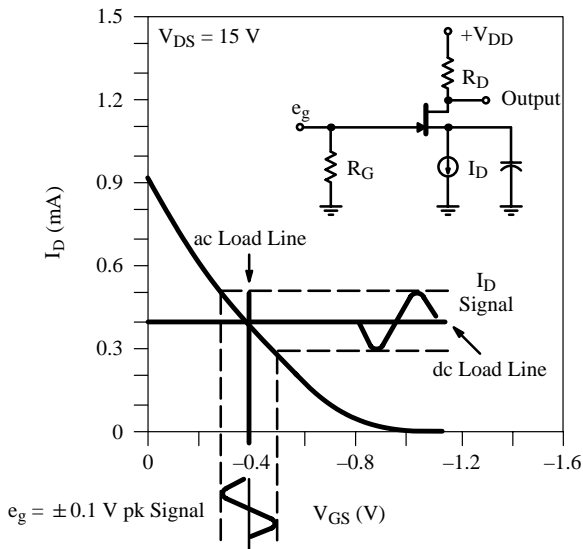


Figure 3. Constant-current bias fixes the output voltage for any R_D . Hence, input signals cannot affect the output unless the current source is bypassed.

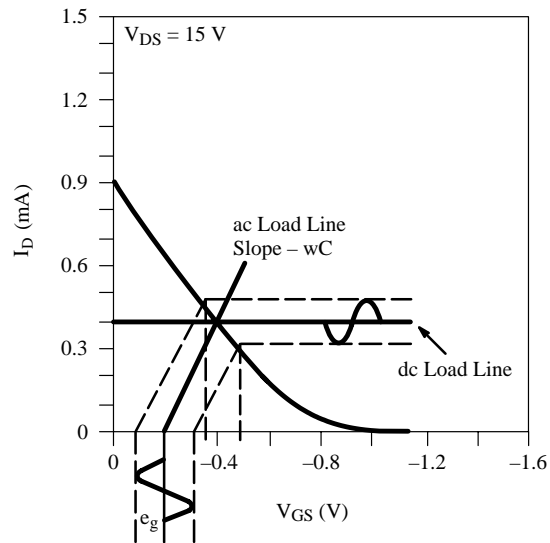


Figure 4. Partial bypassing of the current source (Figure 3) lowers the circuit gain by tilting the ac load line from the vertical. The capacitor drop subtracts from e_g .

Constant-Current Bias

The constant-current bias approach (Figure 3) for establishing the Q-point of Figure 1 requires a 0.4-mA current source. For an ideal constant-current generator, input signal excursions merely shift the bias line

horizontally and produce no gate-source voltage excursion. This bias technique is therefore limited to source followers, source coupled differential amplifiers, and ac amplifiers where the source terminal is bypassed to ground at the signal frequency.

If an ac ground is provided by a bypass capacitor across the current source, a vertical ac bias line will be established. Input signal variations will then translate the ac bias line horizontally, and signal development will proceed as with constant-voltage biasing (Figure 3).

Should the bypass capacitor not provide a sufficiently low reactance at the signal frequency, the ac bias line will not be vertical. It will still intersect the transfer curve at the Q-point but with a slope equal to $-(1/X_C) = -\omega C$ (Figure 4).

This will lower the gain of the amplifier because of signal degeneration at the source. The input signal, e_g , is reduced by the drop across the capacitor:

$$V_{GS} = e_g - V_S = e_g - i_S X_C \quad (3)$$

It is clear from Figure 4 that the input signal shifts the operating point only by an amount equal to V_{GS} , the effective input signal. As the signal frequency is decreased, the slope of the ac bias line decreases, causing the effective input signal to approach zero.

Self-Bias Needs No Extra Supply

The self-bias circuit (Figure 5) establishes the Q-point by applying the voltage dropped across the source resistor, R_S , to the gate. Since no voltage is dropped across R_S when $I_D = 0$, the self-bias load line passes through the origin. Its slope is given by $-1/R_S = I_{DQ}/V_{GSQ}$.

Signal development is the same as in the case of the partially bypassed constant-current scheme except that the load line is a dc bias line. Signal degeneration is described by Equation 1 with X_C replaced by R_S . The ac gain of the circuit can be increased by shunting R_S with a bypass capacitor, as in the constant-current case. The ac load line then passes through the Q-point with a slope $-(1/Z_S) = -(\omega C + 1/R_S)$.

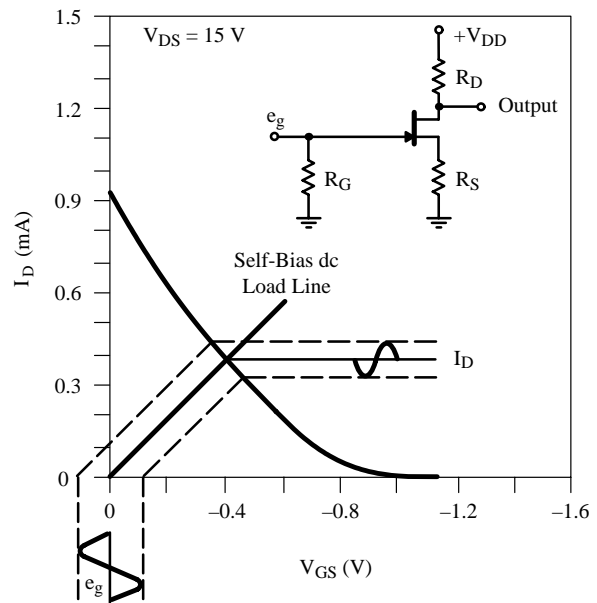


Figure 5. The self-bias load line passes through the origin with a slope $-1/R_S$. Bypassing R_S will steepen the slope and increase the gain of the circuit.

The circuit is biased automatically at the desired Q-point, requiring no extra power supply, and providing a degree of current stabilization not possible with constant-voltage biasing.

Combo Constant-Current/Self-Biasing

A fourth biasing method, combining the advantages of constant-current biasing and self biasing, is obtained by combining the constant-voltage circuit with the self-bias circuit (Figure 6). A principal advantage of this configuration is that an approximation may be made to constant-current bias without any additional power supply. The bias load line may be drawn through the selected Q-point and given any desired slope by properly choosing V_{GG} . (The bias line intercepts the V_{GS} axis at V_{GG} .) The larger V_{GG} is made, the larger R_S will be and the better will be the approximation to constant-current biasing.

All three circuits in Figure 6 are equivalent. Circuit 6a requires an extra power supply. The need for an additional supply is avoided in 6b by deriving V_{GG} from the drain supply. R_1 and R_2 are simply a voltage divider. To maintain the high input impedance of the FET, R_1 and R_2 must both be very large.

Very large resistors cannot always be found in the exact ratio needed to derive the desired V_{GG} in every circuit application. Circuit 6c overcomes this problem by placing a large R_G between the center point of the divider

and the gate. This allows R_1 and R_2 to be small, without lowering the input impedance.

One point of caution is that as V_{GG} is increased, V_S increases, and V_{DS} decreases. Therefore, with low V_{DD} , there may be a significant decrease in the allowable output voltage swing.

Biasing for Device Variations

The value of the combination-bias technique becomes apparent when one considers the normal production spread of device characteristics. The problem is illustrated in Figure 7 where the lower and higher ranges of the 2N4339 devices are shown. The two curves illustrate the operating current variations using various types of biasing in a normal production lot. Other devices with even wider min/max I_{DSS} limits will show wider variations.

Attempting to establish suitable constant-voltage bias conditions for a production spread of devices is practical only for circuits with very small values of dc drain resistance—for example, circuits with inductive loads. As the constant-voltage bias plot of Figure 7a reveals, constant gate bias causes a significant difference in operating I_{DQ} for the extreme limit devices. At $V_{GS} = -0.4$ V, the range of I_{DQ} is 0.13 to 0.69 mA, and V_{GSQ} for a given R_D will vary greatly for most resistance-loaded circuits. For the example of Figure 1, with $R_D = 39$ k Ω and $V_{DD} = 30$ V, V_{GSQ} varies from near saturation (5 V) to 25 V.

An excellent method of biasing is the constant-current method of Figure 3. Biasing in this manner fixes the operating drain current for all devices and sets V_{DSQ} to $V_{DD} - I_{DQ}R_L$ for any device in the production spread. V_{GS} automatically finds a value to set the appropriate $I_{DQ} = \text{constant}$ for all devices. For the constant-current bias plot of Figure 7b, with $I_{DQ} = 0.4$ mA, V_{GS} would range from -0.11 to -0.67 V.

Output characteristics are not needed as long as I_{DQ} is chosen to be below the minimum I_{DSS} . With $R_D = 39$ k Ω and $V_{DD} = 30$ V, V_{DSQ} is 14.8 V for all devices.

The disadvantages of the constant-current method are that it allows no signal to be developed unless the current source is bypassed and, as we shall see, it lacks the

flexibility to provide constant gain despite variations in the forward transconductance, g_{fs} , of the devices.

The self-bias scheme is a reasonable choice for single-ended dc amplifiers and for ac amplifiers. In unbypassed or dc circuits, some compromise must be made between the gain loss due to current feedback degeneration and the advantage of current stabilization achieved with high R_S .

An appropriate choice of I_{DQ} limits can be made by using the pair of limiting transfer curves. For example, for $R_S = 1$ k Ω , the load line shown on the self-bias curve of Figure 7c is established. The maximum I_D is 0.52 mA, and the minimum I_D is 0.24 mA. The operating range of V_{DSQ} may be calculated for any value of V_{DD} and R_D . Clearly, for $R_D = 39$ k Ω , the maximum-limit device (device B) would operate with $V_{DSQ} = 9.8$ V and the minimum-limit device (device A) would operate with $V_{DSQ} = 20.6$ V. This results in satisfactory operation for all devices. However, such a variation in I_{DQ} imposes severe limitations on the circuit design.

A better approach is illustrated by the combination-bias curve of Figure 7d with $V_{GG} = 1.2$ V. The range of I_{DQ} for the bias condition is 0.25 mA to 0.32 mA.

A similar minimum difference in I_{DQ} could be achieved with $R_S = 6$ k Ω and $V_{GG} = 0$ (a self-bias condition) but the operating points would be pushed toward the toe of the transfer characteristics and allowable signal input would be reduced.

The combination circuit (Figure 7d) allows almost ideal operation over the full production spread of devices. Even with $R_D = 6$ k Ω , the V_{DSQ} would range only between 10 and 15 V.

For the combination circuit, R_D should be chosen to allow the largest output signal swing for I_{DQ} midway between the two extremes of 0.25 and 0.32 mA; namely 0.285 mA. Setting the voltage drop across R_D at one-half of $(V_{DD} - 2V_{GS(\text{off})\text{typ}})$ or 14 V, $(30 - 2)^{1/2}$ yields $R_D = (14 \text{ V} / 0.285 \text{ mA}) = 49$ k Ω .

Figure 10 shows the effect of temperature variation on the transfer characteristics from 25 to 125°C. The opposite change occurs from 25 to -55°C . The temperature effect is generally far less than the device-to-device variation.

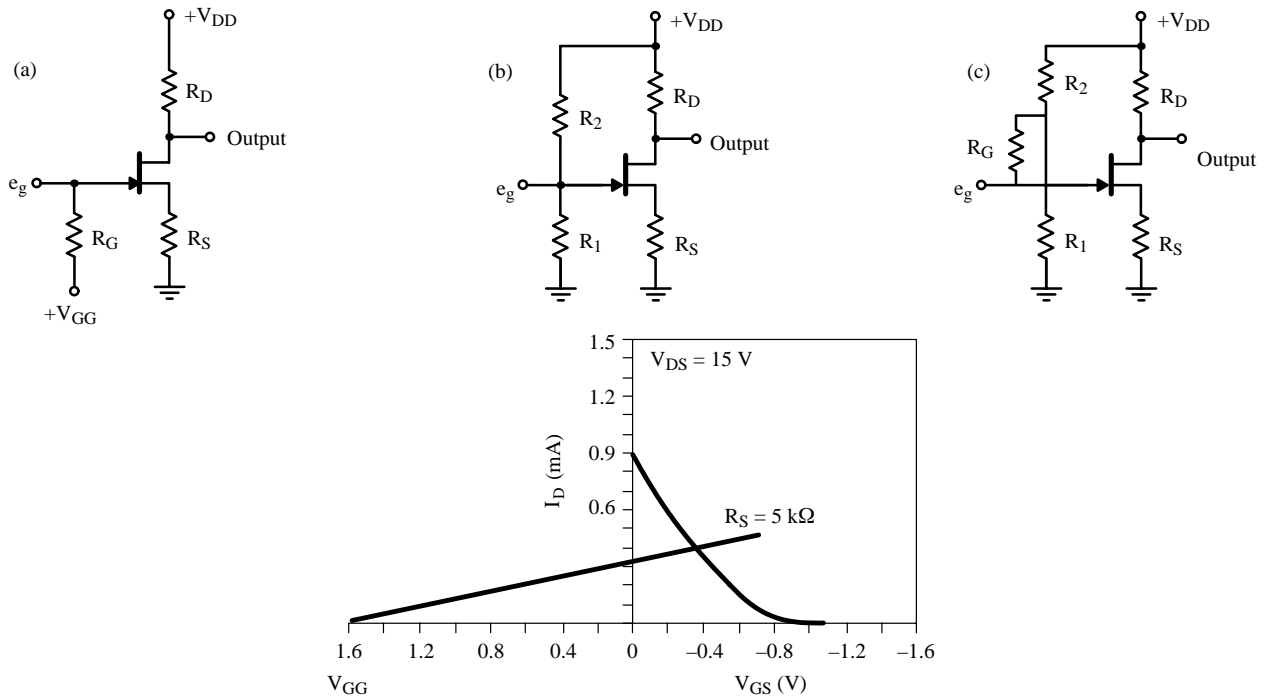


Figure 6. All three combination-bias circuits are equivalent. They add constant-voltage biasing to the self-bias circuit to establish a reasonably flat load line without sacrificing dynamic range.

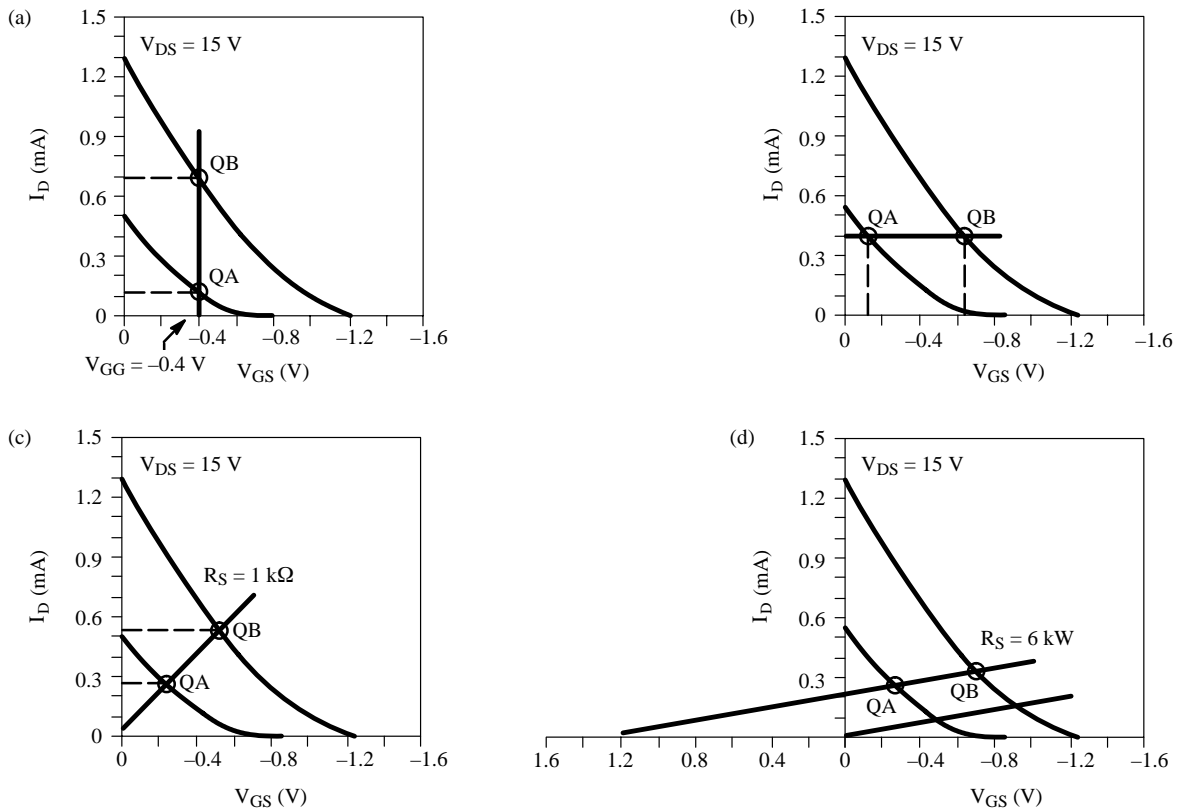


Figure 7. Transfer Characteristic Curves—2N4339: The advantages of combination biasing, when one is working with a spread of device characteristics, are made obvious by plotting the load lines for the various types of biasing on a pair of limiting transfer curves.

Minimize The Gain Variations

Leaving R_S unbypassed helps reduce gain variations from device to device by providing degenerative current feedback. However, this method for minimizing gain variations is only effective when a substantial amount of gain is sacrificed.

A better approach is to use the combination-bias technique with the bias point selected from the transfer and transconductance curves (Figure 8).

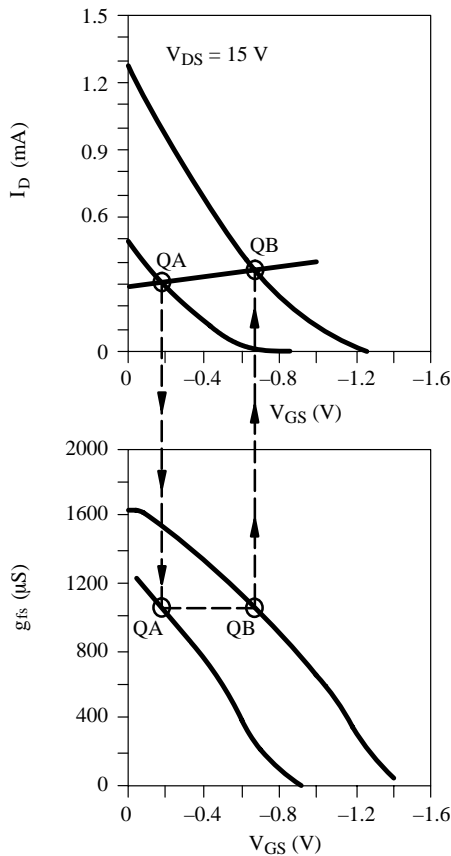


Figure 8. Gain variations are minimized when the load line is designed to intersect the pair of limiting transfer curves (top) at points of equal g_{fs} (bottom).

As Figure 8 shows, it is possible to find an R_S and a V_{GG} that will set I_{DQA} and I_{DQB} to values such that g_{fsQ} will be the same for both devices. The g_{fsQ} of all intermediate devices will be approximately equal to the limiting

values. Thus, a constant, or nearly constant, stage gain is obtained even with a bypass capacitor.

The design procedure is as follows:

- Step 1.* Select a desired I_{DQA} below I_{DSSA} . A good value, allowing for temperature variations, is 60% of I_{DSSA} . This will allow for decreasing I_{DSS} due to temperature variation and for reasonable signal excursions in load current.
- Step 2.* Enter the transfer curves at $I_{DQA} \sim 0.6 I_{DSSA}$ (0.3 mA) to find V_{GSQA} . Thus $V_{GSQA} \sim -0.2$.
- Step 3.* Drop vertically at V_{GSQA} to the minimum limit transconductance curve to find g_{fsQA} . The value as read from the plot is approximately 1000 μS .
- Step 4.* Travel across the g_{fs} plot to the maximum curve to find V_{GSQB} at the same value of g_{fs} . This is $V_{GSQB} \sim -0.7$ V.
- Step 5.* Travel vertically up to the maximum limit transfer curve to find I_{DQB} at V_{GSQB} . This is $I_{DQB} \sim 0.36$ mA.
- Step 6.* Construct an R_S bias line through points QA and QB on the transfer curves. The slope of the line is $1/R_S$, and the intercept with the V_{GS} axis is the required V_{GG} .

As Figure 8 demonstrates, it may be somewhat inconvenient to perform Step 6 graphically. An algebraic solution can be employed instead. The source resistance is given by

$$R_S = (V_{GSQA} - V_{GSQB}) / (I_{DQB} - I_{DQA}) \quad (4)$$

and the bias voltage is

$$V_{GG} = R_S I_{DQB} + V_{GSQB} \quad (5)$$

Care should be taken to maintain the proper algebraic signs in Equations 4 and 5. For n-channel FETs, V_{GS} is negative and I_D is positive. For p-channel units, the signs are reversed.

If the transconductance curves of Figure 8 are not available, g_{fs} can be determined simply by measuring the slope of the transfer curve at the desired operating point. Just place a straight-edge tangent to the curve at the Q-point and note the points at which it intercepts the I_D and V_{GS} axes. The slope and g_{fs} are given by:

$$\text{slope} = g_{fs} = I_{D(\text{intercept})} / -V_{GS(\text{intercept})} \quad (6)$$

In designing a constant-gain circuit, simply set the straight-edge tangent to the transfer curve of device A at

point QA and slide it, without changing its slope, until it is tangent to the curve of device B. The tangent point is QB.

FET Source-Follower Circuits

The common-drain amplifier, or source follower, is a particularly valuable configuration; its high input impedance and low output impedance make it very useful for impedance transformations between FETs and bipolar transistors. By considering eight circuits (Figure 9), which represent virtually every source-follower configuration, the designer can obtain consistent circuit performance despite wide device variations.

There are two basic connections for source followers: with and without gate feedback. Each connection comes in several variations. Circuits 9a through 9d have no gate feedback; their input impedances, therefore, are equal to R_G . Circuits 9e through 9h employ feedback to their gates to increase the input impedance above R_G .

Before getting into the details of bias-circuit design, several general observations can be made about the circuits of Figure 9:

- Circuits a, c, e and g can accept only positive and small negative signals, because these circuits have their source resistors connected to ground. The other circuits can handle large positive and negative signals limited only by the available supply voltages and device breakdown voltage.
- Circuits c, d, g and h employ current sources to improve drain-current (I_D) stability and increase gain.
- Circuits d and h employ JFETs as current sources.
- Circuits d, f and h employ a source resistor, R_S , which may be selected to set the quiescent output voltage equal to zero.
- Circuits d and h use matched FETs. R_S is selected to set I_D . The dc input-output offset voltage is zero.

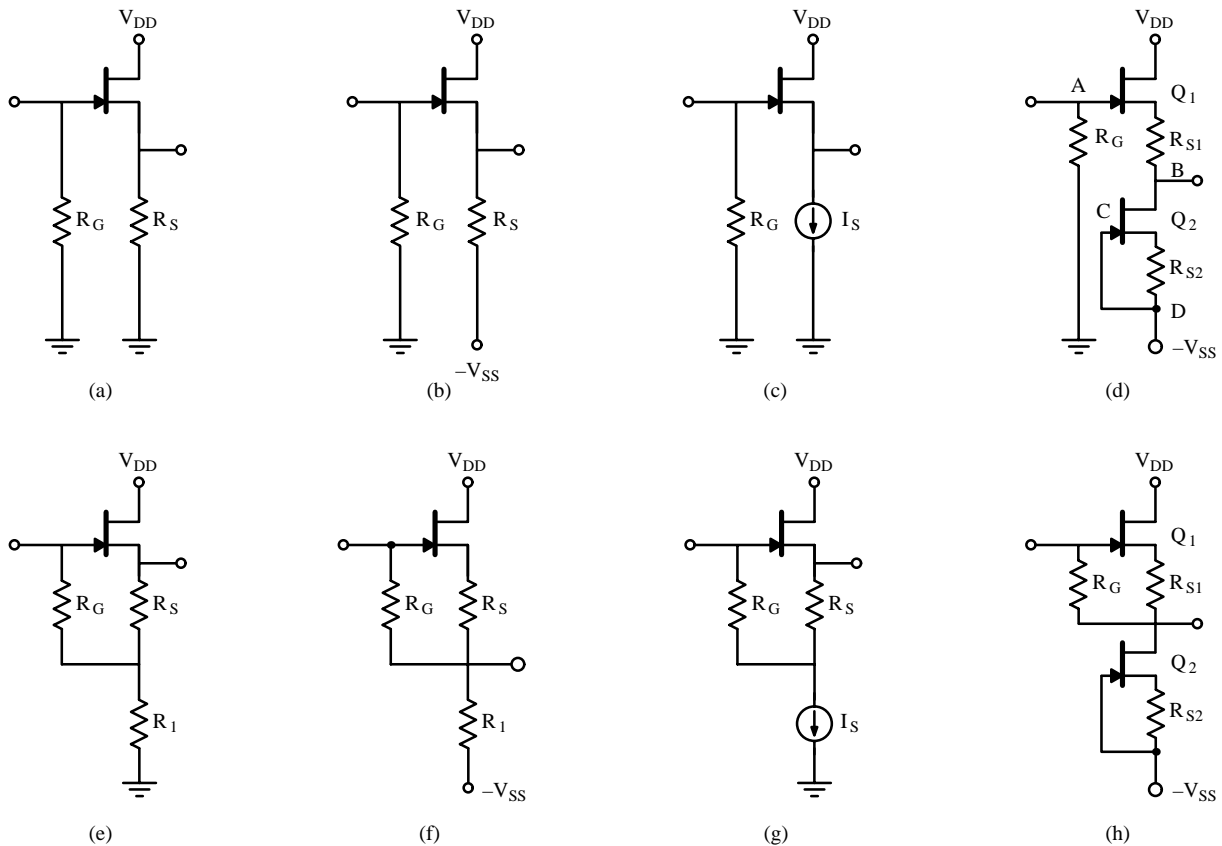


Figure 9. Virtually every practical source-follower configuration is represented in this collection of eight circuits. The configurations in the top row do not employ gate feedback; the corresponding configurations in the bottom row employ gate feedback.

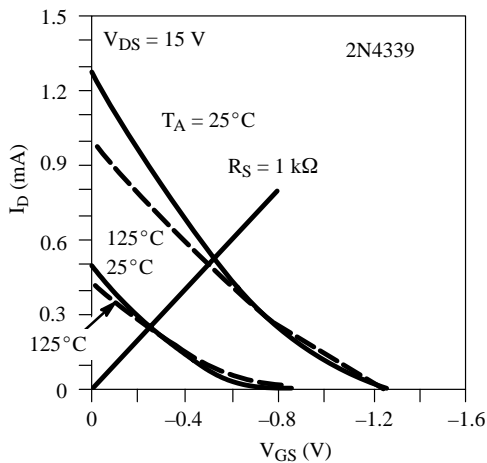


Figure 10. Self-biasing (Figure 9a) uses the voltage dropped across the source resistor, R_S to bias the gate. The load line passes through the origin and has a slope of $-1/R_S$.

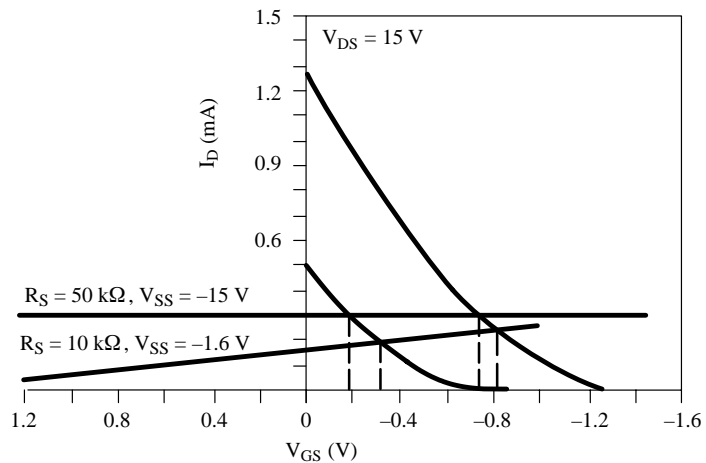


Figure 11. Adding a V_{SS} Supply to the self-bias circuit (Figure 9b) allows it to handle large negative signals. The load line's intercept with the V_{GS} axis is at $V_{GS} = V_{SS}$. Bias Lines are shown for $V_{SS} = -15$ V and $V_{SS} = -1.6$ V.

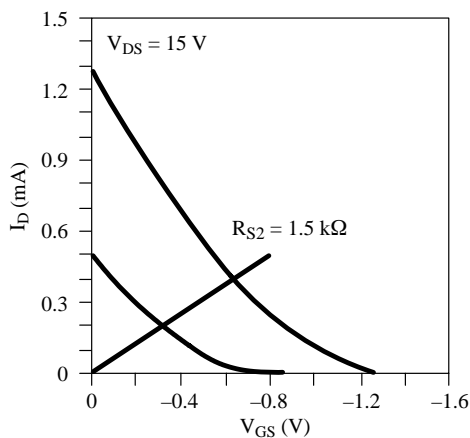


Figure 12. This load line is set by R_{S2} and Q_2 which acts as a current source (Figure 9d). This source follower, therefore, exhibits zero or near-zero offset. If the FETs are matched at the operating I_D , the source follower will exhibit zero or near-zero temperature drift.

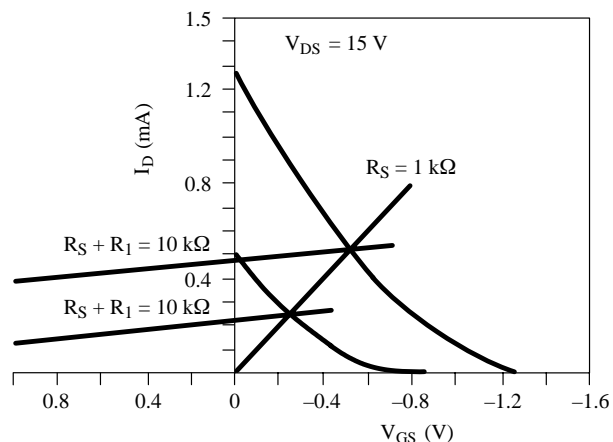


Figure 13. The bias load line is set by R_S but the output load line is determined by $R_S + R_1$ when gate feedback is employed (Figure 9e). The feedback V_{FB} is determined by the intercept of the $R_S + R_1$ load line and the V_{GS} axis.

Biasing Without Feedback Is Simple

Circuit 9b is an example of source-resistor biasing with a $-V_{SS}$ supply added. The advantage over circuit 9a is that the signal voltage can swing negative to approximately $-V_{SS}$. Two bias lines are shown in Figure 11, one for $V_{SS} = -15$ V and the other $V_{SS} = -1.6$ V. For the first case, the quiescent output voltage lies between 0.18 and 0.74 V. For the second, it lies between 0.3 and 0.82 V.

A pair of matched FETs is used in the circuit of Figure 9d, one as a source follower and the other as a current source. The operating drain current (I_{DQ}) is set by R_{S2} , as indicated by the load line of Figure 13. In this illustration the drain current may be anywhere from 0.2 to 0.42 mA, as shown by the limiting transfer characteristic intercepts; however, $V_{GS1} = V_{GS2}$ because the FETs are matched. Other dual devices, such as 2N5912 and SST441, can operate at 5 mA and frequencies above 400 MHz.

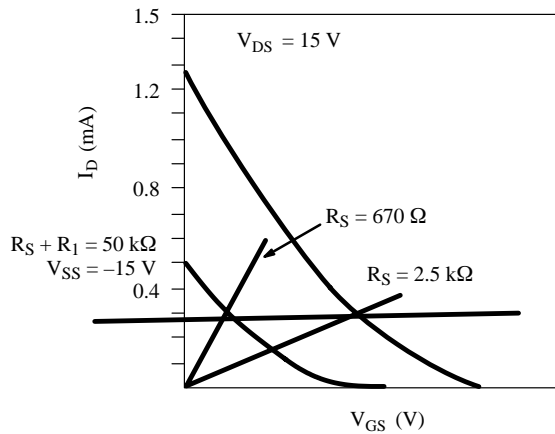


Figure 14. R_S can be trimmed to provide zero offset at some point between 670 Ω and 2.5 $k\Omega$ (Figure 9f). The source load line intercepts the V_{GS} axis at $V_{SS} = V_{GG} = -15$ V. Note that this load line is not perfectly flat. It has a slope of $-1/50$ $k\Omega$, because the current source is not perfect; it has a finite impedance.

Biasing With Feedback Increases Z_{IN}

Each of the feedback-type source followers (Figure 9e through 9h) is biased by a method similar to that used with the nonfeedback circuit above it. However, in each case, R_G is returned to a point in the source circuit that provides almost unity feedback to the lower end of R_G . If R_S is chosen so that R_G is returned to zero dc volts (except in circuit 9e), then the input/output offset is zero. R_1 is usually much larger than R_S .

Circuit 9e is useful principally for ac-coupled circuits. R_S is usually much less than R_1 to provide near-unity

feedback. The bias load line is set by R_S (Figure 13). The output load line, however, is determined by the sum of $R_S + R_1$. The feedback voltage V_{FB} , measured at the junction of R_S and R_1 , is determined by the intercept of the $R_S + R_1$ load line with the V_{GS} axis. The quiescent output voltage is $V_{FB} - V_{GS}$.

In the circuit of Figure 9f, R_S can be trimmed to provide zero offset. As the curves show (Figure 14), R_S will be between 670 Ω and 2.5 $k\Omega$. R_S is much less than R_1 . The source load line intercepts the V_{GS} axis at $V_{SS} = -V_{GG} = -15$ V.

Practical Amplifier Biasing Examples

All commercially available JFET part numbers exhibit a significant variation in the I_{DSS} and $V_{GS(off)}$ parameters. Applying the Figure 9a and 9d biasing configurations, Figures 15 and 16 provide typical worst case drain-current extremes as a function of source resistance. Plotted are the popular low-current amplifiers.

Part Number	Package
2N4338, 2N4339	TO-206AA (TO-18) Metal Can
J201, J202, 2N5484	TO-226AA (TO-92) Through-Hole Plastic
SST201, SST202, SST5484	TO-236 (SOT-23) Surface Mount

Applying the Figure 9a biasing technique to a small-signal amplifier circuit as illustrated in Figure 17, results in typical voltage gain as plotted in Figure 18. Note that as the drain current decreases the overall gain increases since R_D can be greater, despite transconductance g_{fs} decreasing.

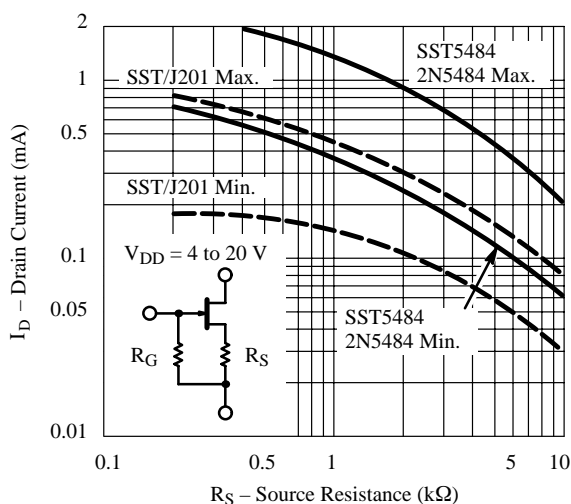


Figure 15. JFET Source Biased Drain-Current vs. Source Resistance

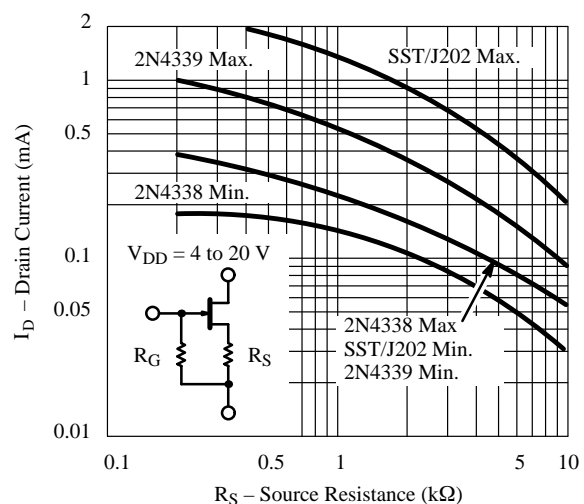


Figure 16. JFET Source Biased Drain-Current vs. Source Resistance

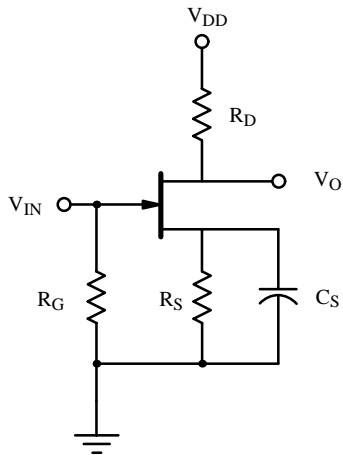


Figure 17. JFET Source Biased Amplifier

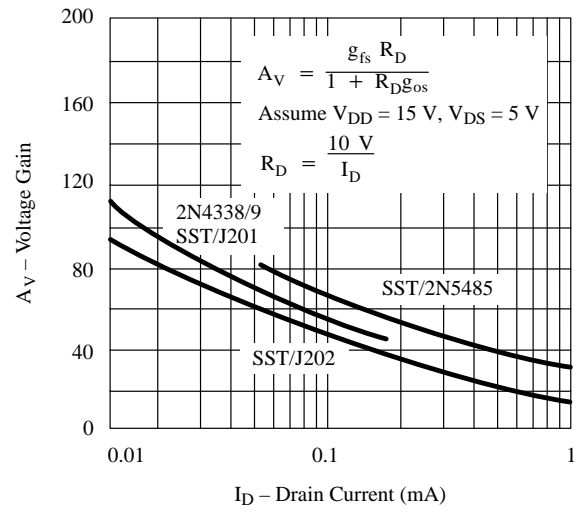


Figure 18. Circuit Voltage Gain vs. Drain-Current