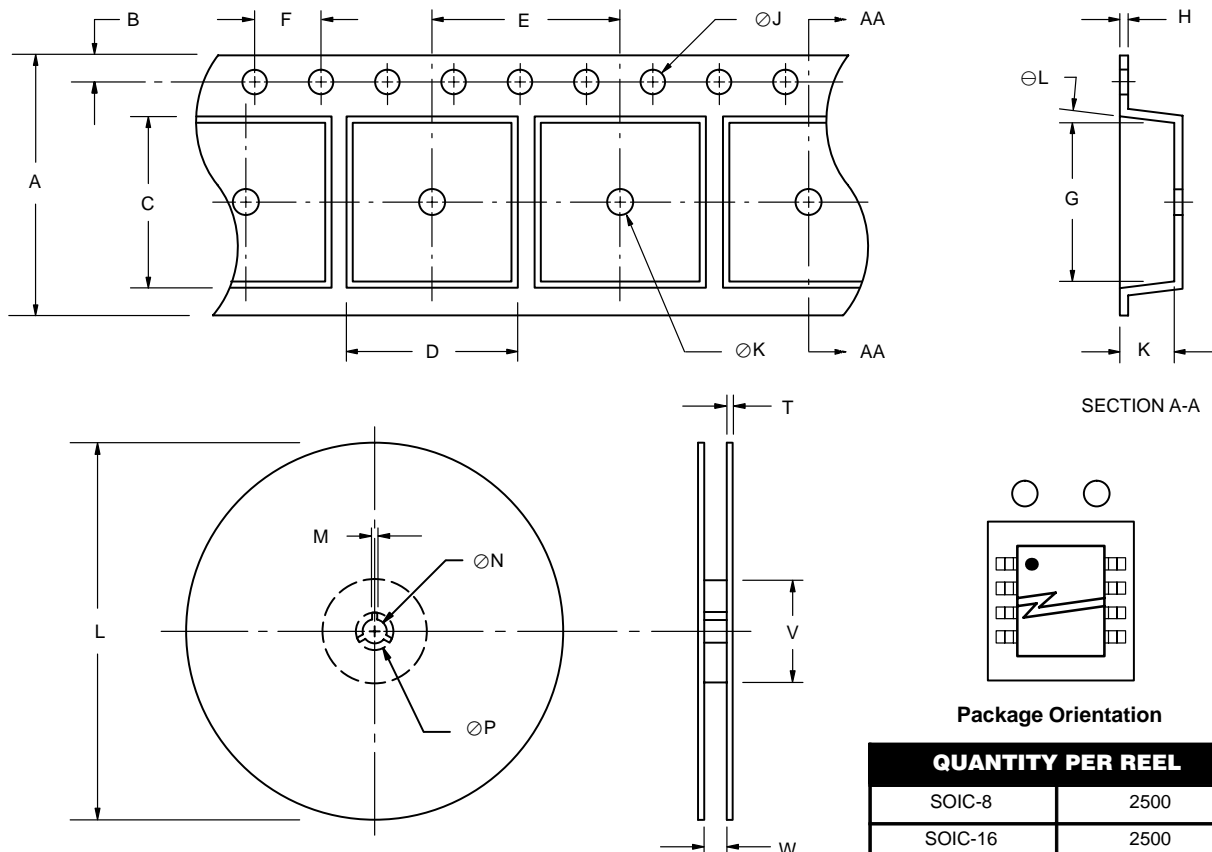




TAPE AND REEL OPTIONS FOR SOIC-8 AND SOIC-16

DIM	SOIC-8				SOIC-16			
	MILLIMETERS		INCHES		MILLIMETERS		INCHES	
	MIN	MAX	MIN	MAX	MIN	MAX	MIN	MAX
A	11.9	12.1	0.469	0.476	15.9	16.1	0.626	0.634
B	1.65	1.85	0.065	0.073	1.65	1.85	0.065	0.073
C	5.10	5.30	0.201	0.209	10.35	10.55	0.407	0.415
D	6.30	6.50	0.248	0.256	6.55	6.75	0.258	0.266
E	7.90	8.60	0.311	0.339	7.90	8.10	0.311	0.319
F	3.90	4.10	0.154	0.161	3.90	4.10	0.154	0.161
G	5.10	5.30	0.200	0.209	10.35	10.55	0.407	0.415
H	0.25	0.35	0.010	0.014	0.25	0.35	0.010	0.014
∅J	1.50	1.60	0.059	0.063	1.50	1.60	0.060	0.063
K	1.90	2.30	0.075	0.091	1.90	2.30	0.075	0.091
∅K	1.50	1.70	0.059	0.067	1.40	1.60	0.055	0.063
L	328	332	12.91	13.07	328	332	12.91	13.07
∅L	-	3°	-	3°	-	3°	-	3°
M	1.50	2.50	0.059	0.098	1.50	2.50	0.059	0.098
∅N	12.8	13.2	0.504	0.520	12.8	13.2	0.054	0.520
∅P	20.3	22.5	0.799	0.886	20.3	22.5	0.799	0.886
T	2.0	3.0	0.078	0.118	2.0	3.0	0.078	0.118
V	99.0	101.0	3.898	3.976	99.0	101.0	3.898	3.976
W	12.4	14.4	0.488	0.567	16.4	18.4	0.646	0.724



QUANTITY PER REEL	
SOIC-8	2500
SOIC-16	2500

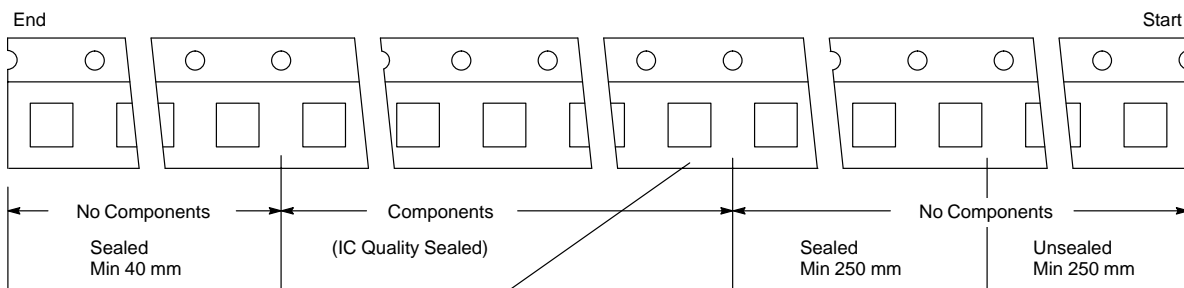
Tape and Reel Information

Vishay Siliconix

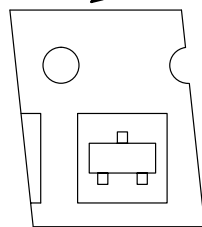


TAPE AND REEL T1 ORIENTATION FOR TO-236 (SOT-23)

DIM	MILLIMETERS		INCHES	
	MIN	MAX	MIN	MAX
L	176	180	6.929	7.087
M	1.50	2.50	0.059	0.098
∅N	12.8	13.2	0.504	0.520
∅P	20.3	20.7	0.799	0.815
T	2.0	3.0	0.078	0.118
V	61.0	63.0	2.401	2.280
W	8.4	9.9	0.331	0.390

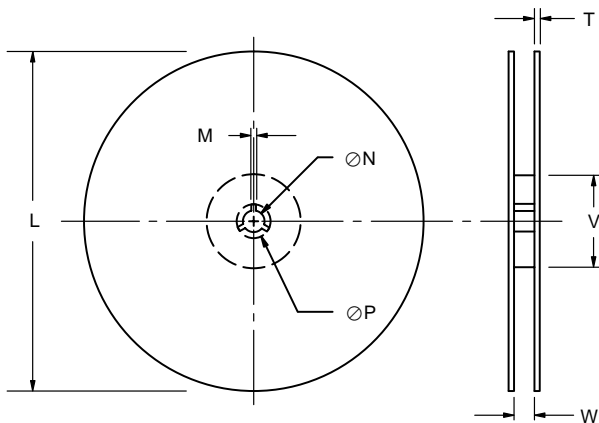


User Direction of Feed →



TO-236 (SOT-23)
T1 Orientation

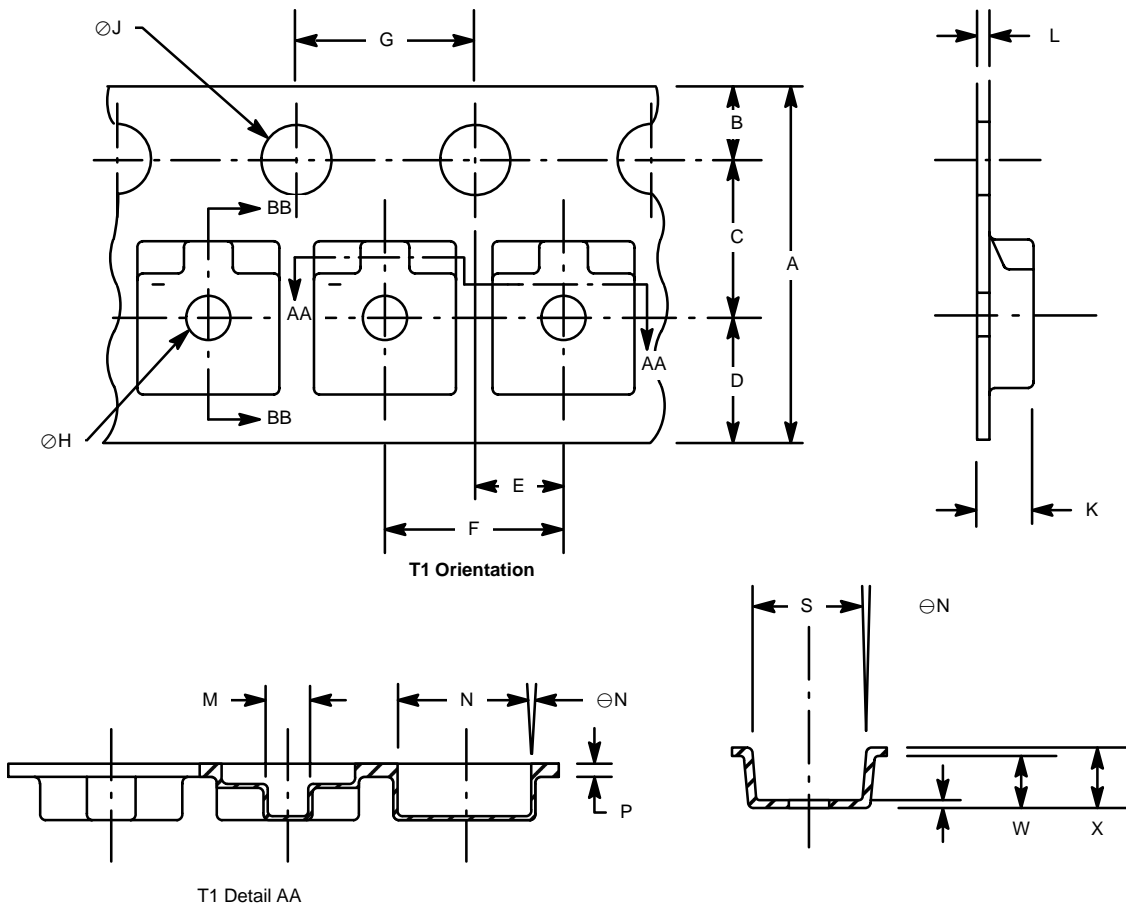
QUANTITY PER REEL	
TO-236	3000





TAPE AND REEL T1 ORIENTATION FOR TO-236 (SOT-23)

DIM	MILLIMETERS		INCHES	
	MIN	MAX	MIN	MAX
A	7.80	8.20	0.307	0.323
B	1.74	1.76	0.068	0.069
C	3.45	3.55	0.136	0.140
D	–	2.75	–	0.108
E	1.95	2.05	0.077	0.081
F	3.90	4.10	0.153	0.161
G	3.90	4.10	0.153	0.161
∅H	0.90	1.10	0.035	0.043
∅J	1.45	1.55	0.057	0.061
K	1.20	1.40	0.047	0.055
L	–	0.30	–	0.012
M	1.00	1.10	0.039	0.043
N	3.20	3.30	0.126	0.130
∅N	–	3°	–	3°
P	–	0.30	–	0.012
S	2.70	2.90	0.106	0.114
V	–	0.30	–	0.012
W	0.75	0.85	0.029	0.033
X	1.10	1.30	0.043	0.051

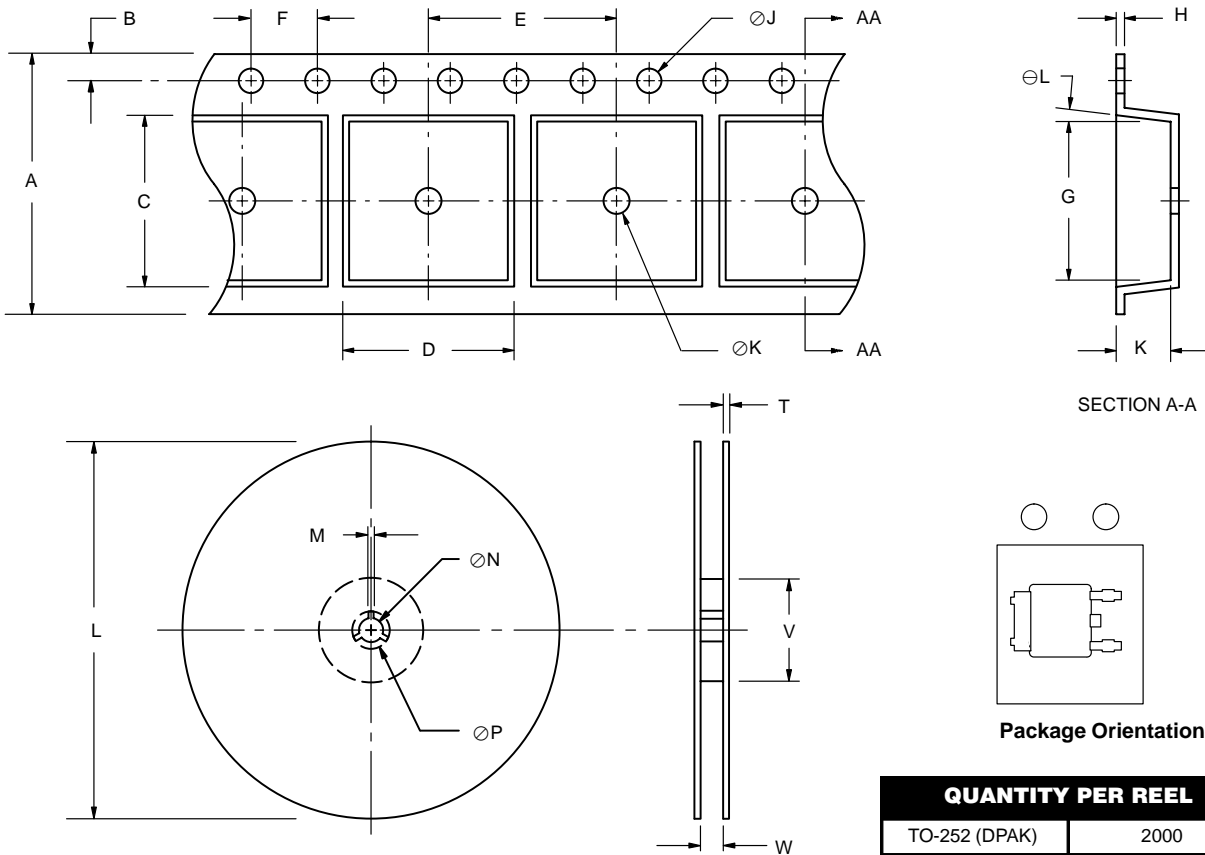


Tape and Reel Information

Vishay Siliconix



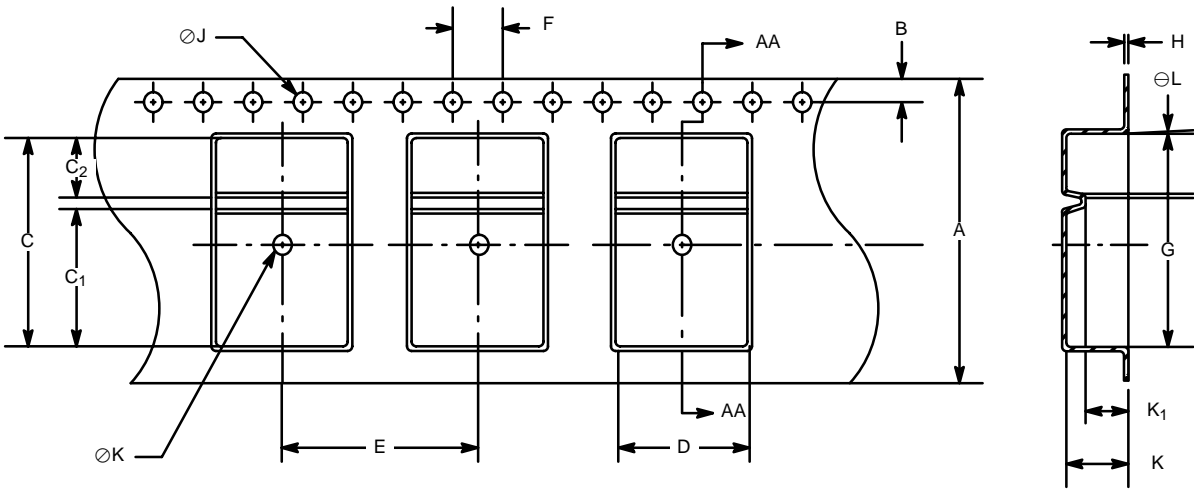
TAPE AND REEL OPTIONS FOR TO-252 (DPAK)				
DIM	MILLIMETERS		INCHES	
	MIN	MAX	MIN	MAX
A	15.9	16.1	0.626	0.634
B	1.65	1.85	0.065	0.073
C	6.80	7.00	0.268	0.276
D	10.4	10.6	0.409	0.417
E	11.9	12.1	0.469	0.476
F	3.90	4.10	0.154	0.161
G	6.80	7.00	0.268	0.276
H	0.25	0.35	0.010	0.014
∅J	1.50	1.60	0.059	0.063
K	2.50	2.70	0.098	0.106
∅K	1.50	1.70	0.059	0.067
L	328	332	12.91	13.07
∅L	-	3°	-	3°
M	1.50	2.50	0.059	0.098
∅N	12.8	13.2	0.504	0.520
∅P	21.5	22.5	0.847	0.886
T	2.0	3.0	0.078	0.118
V	99.0	101.0	3.898	3.976
W	16.4	18.4	0.646	0.724



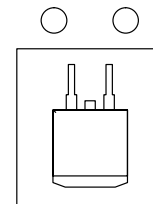


TAPE AND REEL OPTIONS FOR TO-263 (D²PAK)

DIM	MILLIMETERS		INCHES	
	MIN	MAX	MIN	MAX
A	23.7	24.3	0.933	0.957
B	1.65	1.85	0.065	0.073
C	15.7	15.9	0.618	0.626
C ₁	10.7	10.9	0.421	0.429
C ₂	0.90	1.10	0.035	0.043
D	10.5	10.7	0.413	0.422
E	15.9	16.1	0.626	0.634
F	3.90	4.10	0.154	0.161
G	15.7	15.9	0.618	0.626
H	0.25	0.35	0.010	0.014
∅J	1.50	1.60	0.059	0.063
K	4.80	5.00	0.189	0.197
K ₁	3.3	3.5	0.130	0.138
∅K	1.50	2.00	0.059	0.067
L	328	332	12.91	13.07
∅L	-	3°	-	3°
M	1.50	2.50	0.059	0.098
∅N	12.8	13.2	0.504	0.520
∅P	21.5	22.5	0.847	0.886
T	2.0	3.0	0.078	0.118
V	99.0	101.0	3.898	3.976
W	24.4	26.4	0.961	1.039



SECTION A-A



Package Orientation

QUANTITY PER REEL

TO-263 (D ² PAK)	3000
-----------------------------	------

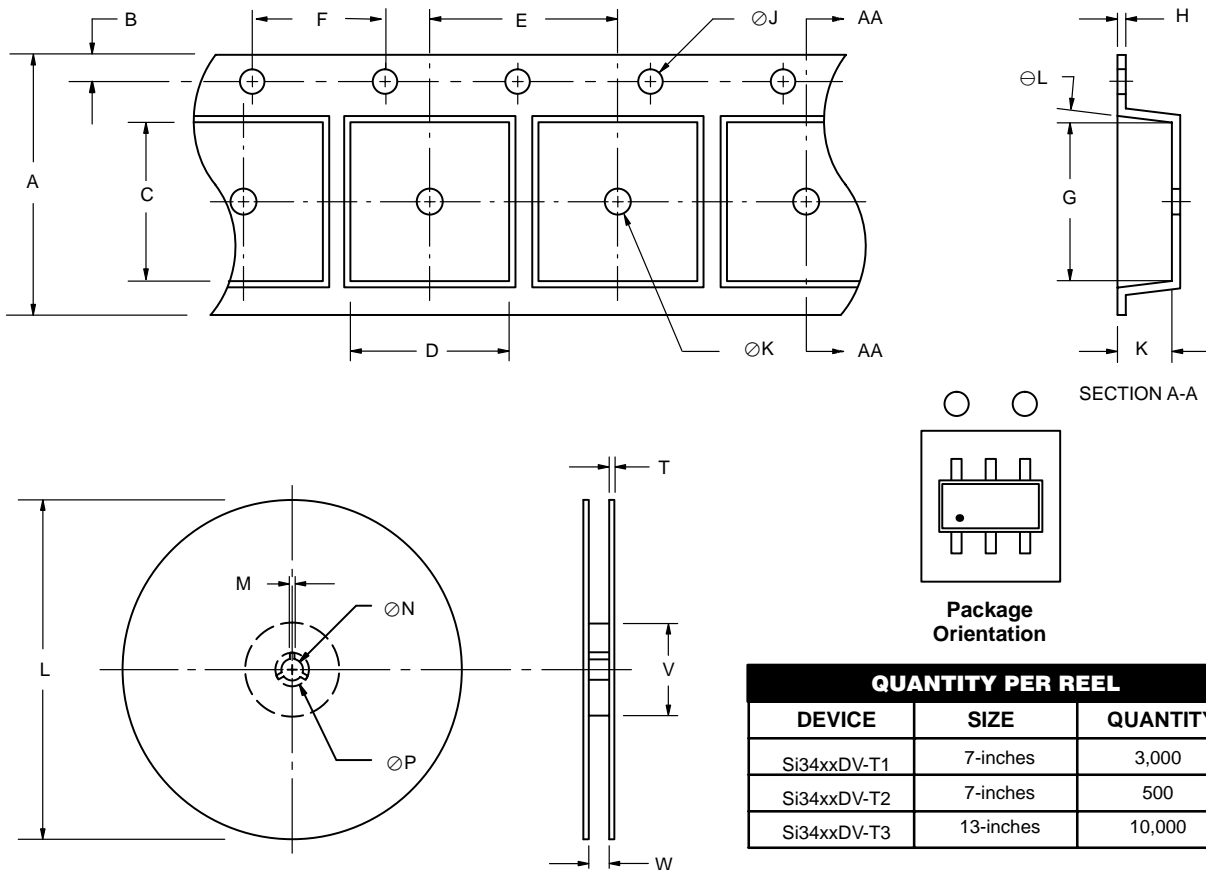
Tape and Reel Information

Vishay Siliconix



TAPE AND REEL OPTIONS FOR TSOP-6

DIM	MILLIMETERS		INCHES	
	MIN	MAX	MIN	MAX
A	7.70	8.30	0.303	0.327
B	1.65	1.85	0.065	0.073
C	3.10	3.30	0.122	0.130
D	3.05	3.25	0.120	0.128
E	3.90	4.10	0.154	0.161
F	3.90	4.10	0.154	0.161
G	3.10	3.30	0.122	0.130
H	0.17	0.23	0.007	0.009
∅J	1.50	1.60	0.059	0.063
K	1.30	1.50	0.051	0.059
∅K	1.00	1.10	0.039	0.043
L (T1, 2)	170	180	6.929	7.087
L (T3)	328	332	12.91	13.07
∅L	-	3°	-	3°
M	1.50	2.50	0.059	0.098
∅N	12.8	13.2	0.504	0.520
∅P	21.5	22.5	0.846	0.886
T	2.0	3.0	0.078	0.118
V (T1, 2)	61.0	63.0	2.401	2.480
V (T3)	99.0	101.0	3.898	3.976
W	7.90	8.90	0.311	0.350

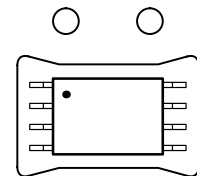
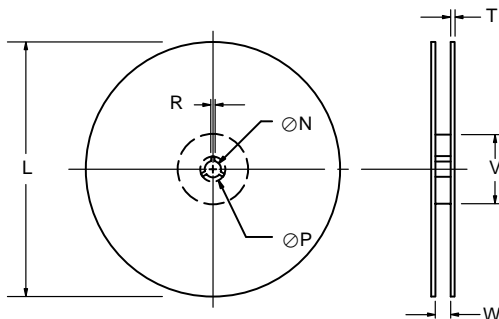
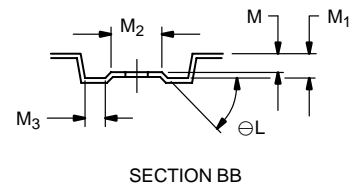
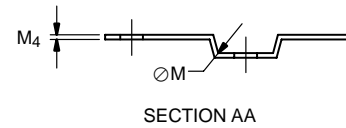
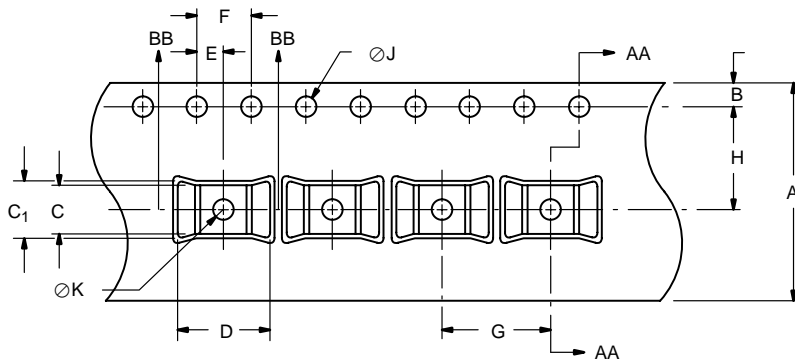


QUANTITY PER REEL		
DEVICE	SIZE	QUANTITY
Si34xxDV-T1	7-inches	3,000
Si34xxDV-T2	7-inches	500
Si34xxDV-T3	13-inches	10,000



TAPE AND REEL OPTIONS FOR TSSOP-8

DIM	MILLIMETERS		INCHES	
	MIN	MAX	MIN	MAX
A	15.70	16.30	0.618	0.641
B	1.65	1.85	0.065	0.073
C	3.50	3.70	0.138	0.146
C ₁	4.20	4.40	0.165	0.173
D	6.80	7.00	0.268	0.276
E	1.95	2.05	0.076	0.080
F	3.90	4.10	0.154	0.161
G	7.90	8.10	0.311	0.319
H	7.40	7.60	0.291	0.299
∅J	1.50	1.60	0.059	0.063
∅K	1.50	1.60	0.059	0.063
L	328	332	12.91	13.07
∅L	–	45°	–	450
M	1.10	1.30	0.043	0.051
M ₁	1.50	1.70	0.059	0.067
M ₂	3.30	3.5	0.130	0.138
M ₃	1.27	1.47	0.050	0.058
M ₄	0.25	0.35	0.010	0.014
∅M	–	0.30	–	0.013
∅N	12.8	13.2	0.504	0.520
∅P	21.5	22.5	0.847	0.886
R	1.50	2.50	0.059	0.098
T	2.0	3.0	0.078	0.118
V	99.0	101.0	3.898	3.976
W	16.4	18.4	0.646	0.724



Package Orientation

QUANTITY PER REEL

TSSOP-8	3000
---------	------