

1 W High-Voltage Switchmode Regulator

DESCRIPTION

The Si9108 high-voltage switchmode regulator is a monolithic BiC/DMOS integrated circuit which contains most of the components necessary to implement a high-efficiency dc/dc converter in ISDN terminals up to 3 watts. A 0.5 mA max supply current makes possible the design of a dc/dc converter with 60 % efficiency at 25 mW, therefore meeting the recommended performance under the CCITT I.430 specifications.

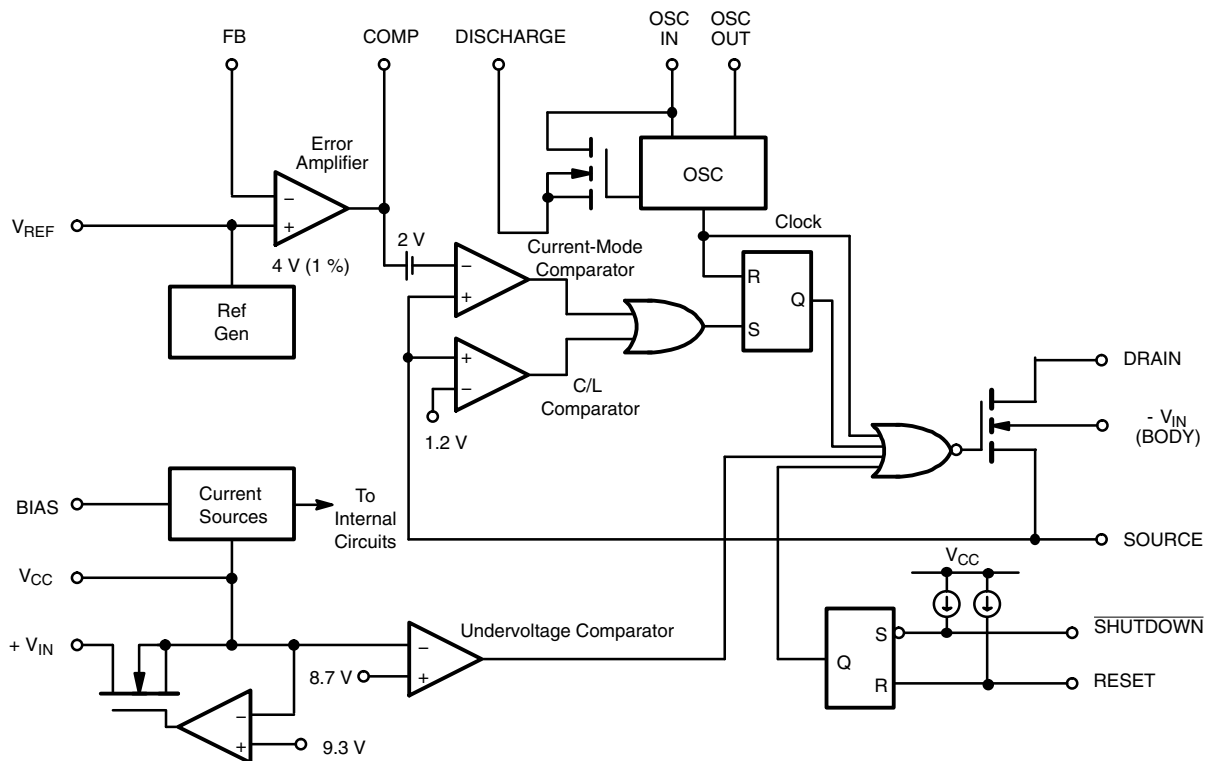
This device may be used with an appropriate transformer to implement isolated flyback power converter topologies to provide single or multiple regulated dc outputs (i.e., ± 5 V).

The Si9108 is available in both standard and lead (Pb)-free 16-pin wide-body SOIC, 14-pin plastic DIP and 20-pin PLCC packages which are specified to operate over the industrial temperature range of - 40 °C to 85 °C.

FEATURES

- CCITT Compatible
- Current-Mode Control
- Low Power Consumption (less than 5 mW)
- 10 to 120 V Input Range
- 200 V, 250 mA MOSFET
- Internal Start-Up Circuit
- $\overline{\text{SHUTDOWN}}$ and RESET
- Maximum Duty Cycle of 99.9 %

FUNCTIONAL BLOCK DIAGRAM



ABSOLUTE MAXIMUM RATINGS			
Parameter		Limit	Unit
Voltages Referenced to - V_{IN} ($V_{CC} < + V_{IN} + 0.3 V$)			
V_{CC}		15	V
$+V_{IN}$		120	
V_{DS}		200	
I_D (Peak) (300 μs pulse, 2 % duty cycle)		2	A
I_D (rms)		250	mA
Logic Inputs (RESET, SHUTDOWN, OSC IN)		- 0.3 V to $V_{CC} + 0.3 V$	V
Linear Inputs (FEEDBACK, SOURCE)		- 0.3 V to 7 V	
HV Pre-Regulator Input Current (continuous)		5	mA
Storage Temperature		- 65 to 125	°C
Operating Temperature		- 40 to 85	
Junction Temperature (T_J)		150	
Power Dissipation (Package) ^a	14-Pin Plastic DIP (J Suffix) ^b	750	mW
	16-Pin Plastic Wide-Body SOIC (W Suffix) ^c	900	
	20-Pin PLCC (N Suffix) ^d	1400	
Thermal Impedance (θ_{JA})	14-Pin Plastic DIP	167	°C/W
	16-Pin Plastic Wide-Body SOIC	140	
	20-Pin PLCC	90	

Notes:

a. Device Mounted with all leads soldered or welded to PC board.

b. Derate 6 mW/°C above 25 °C.

c. Derate 7.2 mW/°C above 25 °C.

d. Derate 11.2 mW/°C above 25 °C.

Stresses beyond those listed under "Absolute Maximum Ratings" may cause permanent damage to the device. These are stress ratings only, and functional operation of the device at these or any other conditions beyond those indicated in the operational sections of the specifications is not implied. Exposure to absolute maximum rating conditions for extended periods may affect device reliability.

RECOMMENDED OPERATING RANGE			
Parameter		Limit	Unit
Voltages Referenced to - V_{IN}			
V_{CC}		10 V to 13.5 V	V
$+ V_{IN}$		10 V to 120 V	
f_{OSC}		40 kHz to 1 MHz	
R_{OSC}		25 k Ω to 1 M Ω	
Linear Inputs		0 to $V_{CC} - 3 V$	V
Digital Inputs		0 to V_{CC}	

SPECIFICATIONS ^a							
Parameter	Symbol	Test Conditions Unless Otherwise Specified DISCHARGE = - $V_{IN} = 0 V$ $V_{CC} = 10 V$, $+ V_{IN} = 48 V$ $R_{BIAS} = 820 k\Omega$, $R_{OSC} = 910 k\Omega$	Limits				Unit
			Temp ^b	Min ^c	Typ ^d	Max ^c	
Reference							
Output Voltage	V_R	OSC IN = - V_{IN} (OSC Disabled) $R_L = 10 M\Omega$	Room	3.92	4.00	4.08	V
Output Impedance ^e	Z_{OUT}	OSC IN = - V_{IN}	Room	15	300	45	k Ω
Short Circuit Current	I_{SREF}	OSC IN = - V_{IN} , $V_{REF} = - V_{IN}$	Room	70	100	130	μA
Temperature Stability ^e	T_{REF}	OSC IN = - V_{IN}	Full		0.25	1.0	mV/°C
Long Term Stability ^e		$t = 1000$ hrs, $T_A = 125$ °C	Room		5.00	25.00	mV
Oscillator							
Maximum Frequency ^e	f_{MAX}	$R_{OSC} = 0$	Room	1	3		MHz
Initial Accuracy	f_{OSC}	See Note e	Room	32	40	48	kHz
Voltage Stability	$\Delta f/f$	$\Delta f/f = f(13.5 V) - f(9.5 V) / f(9.5 V)$	Room		10	15	%
Temperature Coefficient ^e	T_{OSC}		Full		200	500	ppm/°C



SPECIFICATIONS ^a							
Parameter	Symbol	Test Conditions Unless Otherwise Specified DISCHARGE = - V _{IN} = 0 V V _{CC} = 10 V, + V _{IN} = 48 V R _{BIAS} = 820 kΩ, R _{OSC} = 910 kΩ	Limits				Unit
			Temp ^b	Min ^c	Typ ^d	Max ^c	
Error Amplifier							
Feedback Input Voltage	V _{FB}	FB Tied to COMP OSC IN = - V _{IN} (OSC Disabled)	Room	3.96	4	4.04	V
Input BIAS Current	I _{FB}	OSC IN = - V _{IN} , V _{FB} = 4 V	Room		25	500	nA
Open Loop Voltage Gain ^e	A _{VOL}	OSC IN = - V _{IN} (OSC Disabled)	Room	60	80		dB
Input Offset Voltage	V _{OS}	OSC IN = - V _{IN}	Room		± 15	± 40	mV
Unity Gain Bandwidth ^e	BW		Room	0.5	0.8		MHz
Dynamic Output Impedance	Z _{OUT}		Room		1		kΩ
Output Current	I _{OUT}	Source (V _{FB} = 3.4 V)	Room		- 1.2	- 0.32	mA
		Sink (V _{FB} = 4.5 V)	Room	0.05	0.08		
Power Supply Rejection	PSRR	10 V ≤ V _{CC} ≤ 13.5 V	Room		70		dB
PWM							
Maximum Duty Cycle	D _{MAX}		Room	99.0	99.6	99.9	%
Dead Time			Room		100		ns
Minimum Duty Cycle	D _{MIN}		Room			0	%
Minimum Pulse Width Before Pulse Drops Out			Room		110	175	ns
Current Limit							
Threshold Voltage	V _{SOURCE}	R _L = 100 Ω from DRAIN to V _{CC} V _{FB} = 0 V	Room	0.8	1.0	1.2	V
Delay to Output ^e	t _d	R _L = 100 Ω from DRAIN to V _{CC} V _{SOURCE} = 1.5 V, See Figure 1	Room		200	300	ns
Input Voltage	+ V _{IN}	I _{IN} = 10 μA	Room	120			V
Input Leakage Current	+ I _{IN}	V _{CC} ≥ 10 V	Room			10	μA
Pre-Regulator Start-Up Current	I _{START}	Pulse Width ≤ 300 μs, V _{CC} = 7 V	Room	8	15		mA
V _{CC} Pre-Regulator Turn-Off Threshold Voltage	V _{REG}	I _{PRE-REGULATOR} = 10 μA	Room	7.5	9.3	9.7	V
Undervoltage Lockout	V _{UVLO}	R _L = 100 Ω from DRAIN to V _{CC} See Detailed Description	Room	7.0	8.7	9.2	
V _{REG} - V _{UVLO}	V _{DELTA}		Room	0.25	0.5		
Supply							
Supply Current	I _{CC}		Room		0.35	0.5	mA
Bias Current	I _{BIAS}		Room		7.5		μA
SHUTDOWN Delay	t _{SD}	V _{SOURCE} = - V _{IN} , See Figure 2	Room		50	100	ns
SHUTDOWN Pulse Width	t _{SW}	See Figure 3	Room	50			
RESET Pulse Width	t _{RW}		Room	50			
Latching Pulse Width SHUTDOWN and RESET Low	t _{LW}		Room	25			
Input Low Voltage	V _{IL}		Room			2.0	V
Input High Voltage	V _{IH}		Room	8.0			
Input Current Input, Voltage High	I _{IH}	V _{IN} = 10 V	Room		1	5	μA
Input Current Input, Voltage Low	I _{IL}	V _{IN} = 0 V	Room	- 35	- 25		
MOSFET Switch							
Breakdown Voltage	V _{BR(DSS)}	I _{DRAIN} = 100 μA	Full	200	220		V
Drain-Source On Resistance ^g	r _{DS(on)}	I _{DRAIN} = 100 mA	Room		5	7	Ω
Drain Off Leakage Current	I _{DSS}	V _{DRAIN} = 100 V	Room			10	μA
Drain Capacitance	C _{DS}		Room		35		pF

Notes:

- a. Refer to PROCESS OPTION FLOWCHART for additional information.
- b. Room = 25 °C, Cold and Hot = as determined by the operating temperature suffix.
- c. The algebraic convention whereby the most negative value is a minimum and the most positive a maximum, is used in this data sheet.
- d. Typical values are for DESIGN AID ONLY, not guaranteed nor subject to production testing.
- e. Guaranteed by design, not subject to production test.
- f. C_{STRAY} Pin 8 = ≤ 5 pF.
- g. Temperature coefficient of r_{DS(on)} is 0.75 % per °C, typical.

TIMING WAVEFORMS

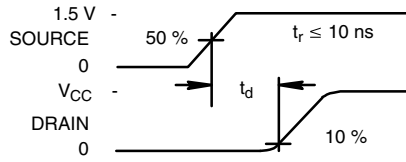


Figure 1.

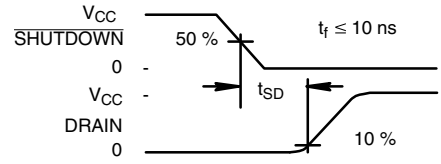


Figure 2.

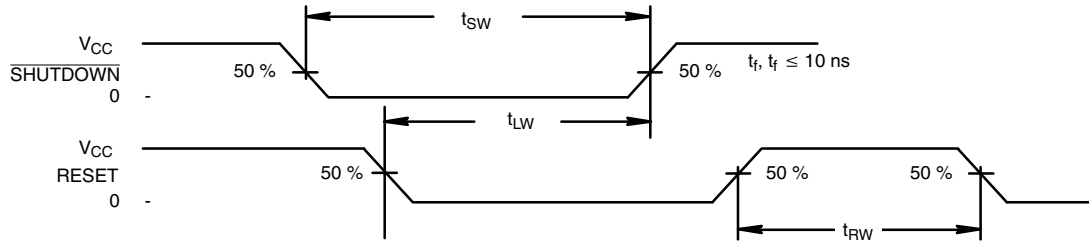


Figure 3.

TYPICAL CHARACTERISTICS

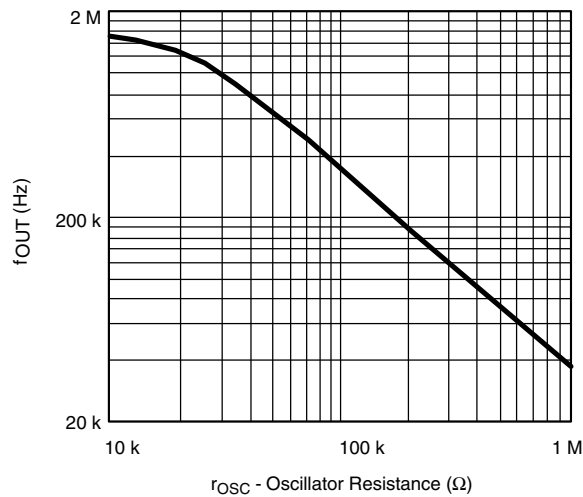
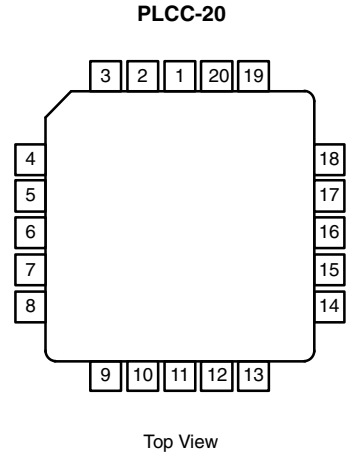
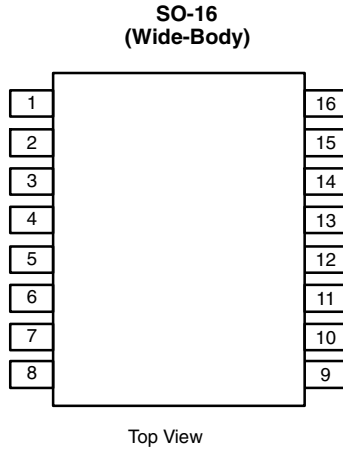
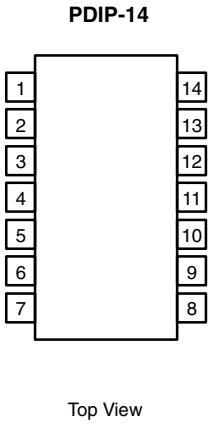


Figure 4. Output Switching Frequency vs. Oscillator Resistance



PIN CONFIGURATIONS



PIN DESCRIPTION			
Function	Pin Number		
	14-Pin Plastic DIP	16-Pin SOIC	20-Pin PLCC
SOURCE	4	1	7
- V _{IN}	5	2	8
V _{CC}	6	4	9
OSC _{OUT}	7	5	10
OSC _{IN}	8	6	11
DISCHARGE	9	7	12
V _{REF}	10	8	14
SHUTDOWN	11	9	16
RESET	12	10	17
COMP	13	11	18
FB	14	12	20
BIAS	1	13	2
+V _{IN}	2	14	3
DRAIN	3	16	5
NC		3, 15	1, 4, 6, 13, 15, 19

ORDERING INFORMATION			
Standard Part Number	Lead (Pb)-free Part Number	Package	Temperature Range
Si9108DJ02	Si9108DJ02-E3	PDIP-14	- 40 to 85 °C
Si9108DW		SOIC-16 (WB)	
Si9108DW-T1 (With Tape and Reel)	Si9108DW-T1-E3 (With Tape and Reel)		
Si9108DN02		PLCC-20	
Si9108DN02-T1 (With Tape and Reel)	Si9108DN02-T1-E3 (With Tape and Reel)		

DETAILED DESCRIPTION

Pre-Regulator/Start-Up Section

Due to the low quiescent current requirement of the Si9108 control circuitry, bias power can be supplied from the unregulated input power source, from an external regulated low-voltage supply, or from an auxiliary "bootstrap" winding on the output inductor or transformer.

When power is first applied during start-up, $+V_{IN}$ will draw a constant current. The magnitude of this current is determined by a high-voltage depletion MOSFET device which is connected between $+V_{IN}$ and V_{CC} . This start-up circuitry provides initial power to the IC by charging an external bypass capacitance connected to the V_{CC} pin. The constant current is disabled when V_{CC} exceeds 9.3 V. If V_{CC} is not forced to exceed the 9.3 V threshold, then V_{CC} will be regulated to a nominal value of 9.3 V by the pre-regulator circuit.

As the supply voltage rises toward the normal operating conditions, an internal undervoltage (UV) lockout circuit keeps the output MOSFET disabled until V_{CC} exceeds the undervoltage lockout threshold (typically 8.7 V). This guarantees that the control logic will be functioning properly and that sufficient gate drive voltage is available before the MOSFET turns on. The design of the IC is such that the undervoltage lockout threshold will not exceed the pre-regulator turn-off voltage. Power dissipation can be minimized by providing an external power source to V_{CC} such that the constant current source is always disabled.

BIAS

To properly set the bias for the Si9108, a 820 k Ω resistor should be tied from BIAS to $-V_{IN}$. This determines the magnitude of bias current in all of the analog sections and the pull-up current for the $\overline{\text{SHUTDOWN}}$ and RESET pins. The current flowing in the bias resistor is nominally 7.5 μA .

Reference Section

The reference section of the Si9108 consists of a temperature compensated buried zener and trimmable divider network. The output of the reference section is connected internally to the non-inverting input of the error amplifier. Nominal reference output voltage is 4 V. The trimming procedure that is used on the Si9108 brings the output of the error amplifier (which is configured for unity gain during trimming) to within $\pm 1\%$ of 4 V. This automatically compensates for the input offset voltage in the error amplifier.

The output impedance of the reference section has been purposely made high so that a low impedance external voltage source can be used to override the internal voltage source, if desired, without otherwise altering the performance of the device.

Error Amplifier

Closed-loop regulation is provided by the error amplifier, whose 1 k Ω dynamic output impedance enables it to be used with feedback compensation (unlike transconductance amplifiers). A MOS differential input stage provides for low input current. The noninverting input to the error amplifier (V_{REF}) is internally connected to the output of the reference supply and should be bypassed with a small capacitor to ground.

Oscillator Section

The oscillator consists of a ring of CMOS inverters, capacitors, and a capacitor discharge switch. Frequency is set by an external resistor between the OSC IN and OSC OUT pins. (See Typical Characteristics graph of resistor value vs. frequency.) The DISCHARGE pin should be tied to $-V_{IN}$ for normal internal oscillator operation. For 98 % duty cycle, the discharge pin must be connected to $-V_{IN}$ or can be connected to $-V_{IN}$ through a resistor to set the dead time.

Remote synchronization can be accomplished by capacitive coupling of a synchronization pulse into the OSC IN terminal. For a 5 V pulse amplitude and 0.5 μs pulse width, typical values would be 100 pF in series with 3 k Ω to OSC IN.

$\overline{\text{SHUTDOWN}}$ and RESET

$\overline{\text{SHUTDOWN}}$ and RESET are intended for overriding the output MOSFET switch via external control logic. The two inputs are fed through a latch preceding the output switch. Depending on the logic state of RESET, $\overline{\text{SHUTDOWN}}$ can be either a latched or unlatched input. The output is off whenever $\overline{\text{SHUTDOWN}}$ is low. By simultaneously having $\overline{\text{SHUTDOWN}}$ and RESET low, the latch is set and $\overline{\text{SHUTDOWN}}$ has no effect until RESET goes high. (See the table below.)

Table 1. Truth Table for the $\overline{\text{SHUTDOWN}}$ and RESET Pins

$\overline{\text{SHUTDOWN}}$	RESET	Output
H	H	Normal Operation
H	$\overline{\text{L}}$	Normal Operation (No Change)
L	H	Off (Not Latched)
L	L	Off (Latched)
$\overline{\text{L}}$	L	Off (Latched, No Change)

When power is first applied during start-up, $+V_{IN}$ will draw a constant current. The magnitude of this current is determined by a high-voltage depletion MOSFET device which is connected between $+V_{IN}$ and V_{CC} . This start-up circuitry provides initial power to the IC by charging an external bypass capacitance connected to the V_{CC} pin. The constant current is disabled when V_{CC} exceeds 9.3 V. If V_{CC} is not forced to exceed the 9.3 V threshold, then V_{CC} will be regulated to a nominal value of 9.3 V by the pre-regulator circuit.

DETAIL DESCRIPTION (CONT'D)

Both pins have internal current source pull-ups and can be left disconnected when not in use. An added feature of the current sources is the ability to connect a capacitor and an open-collector driver to the SHUTDOWN pin to provide variable shutdown time.

Output Switch

The output switch is a 7 Ω , 200 V lateral DMOS transistor. Like discrete MOSFETs, the switch contains an intrinsic body-drain diode. However, the body contact in the Si9108 is connected internally to - V_{IN} and is independent of the SOURCE.

APPLICATIONS

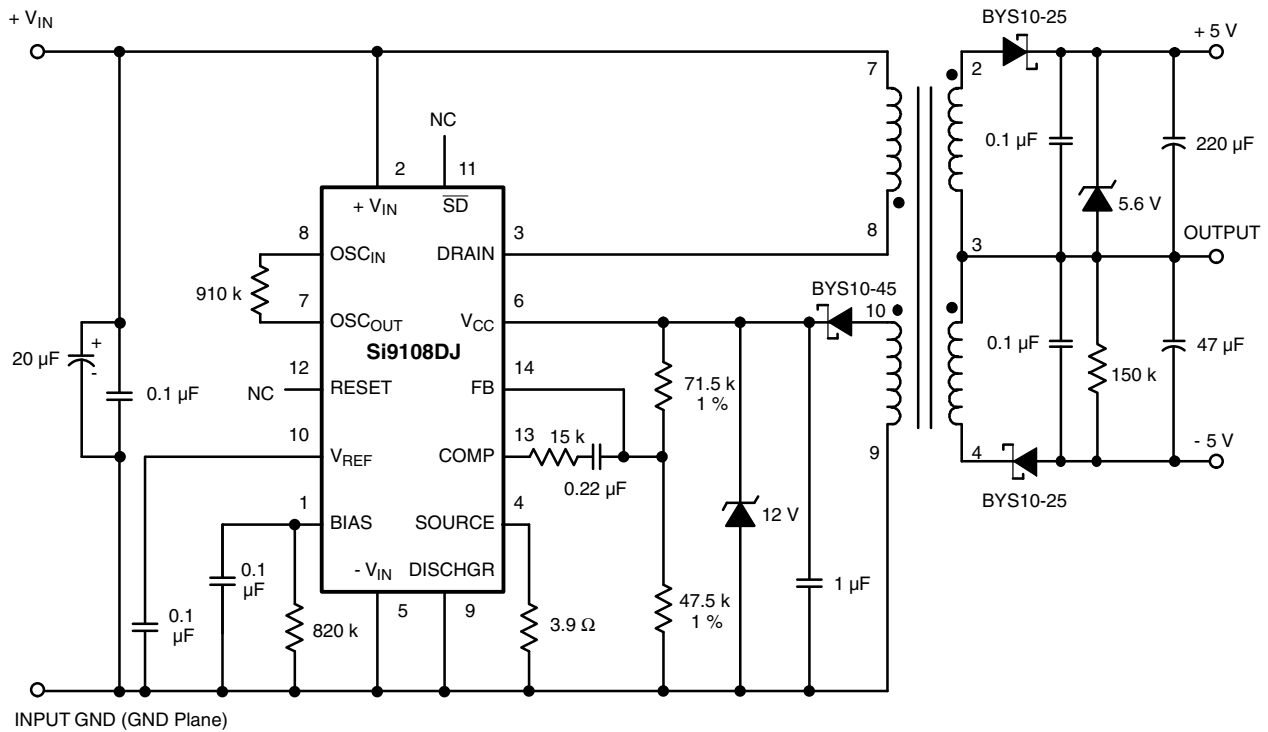
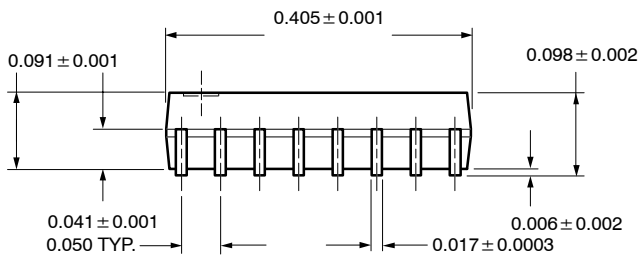
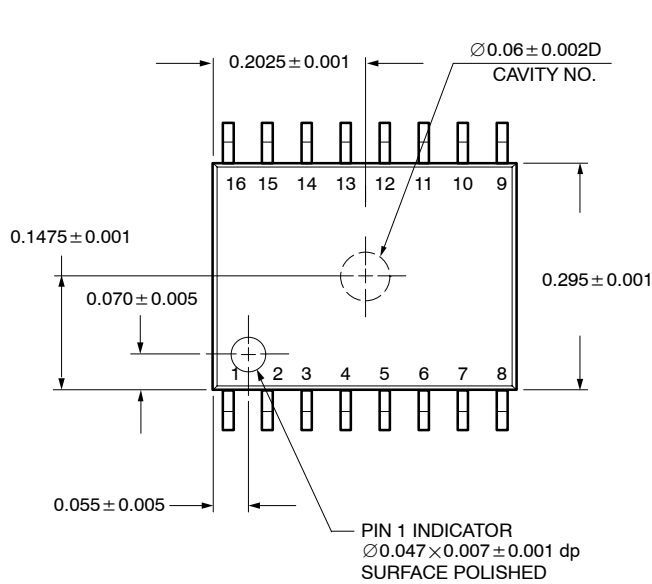


Figure 5. CCITT Compatible ISDN Terminal Power Supply

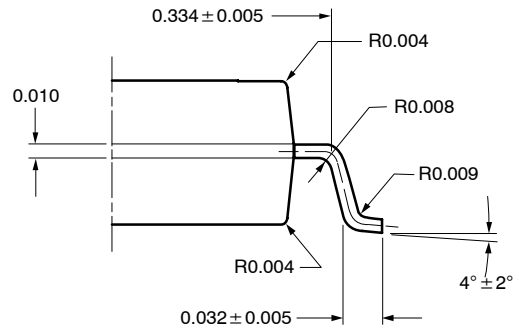
Vishay Siliconix maintains worldwide manufacturing capability. Products may be manufactured at one of several qualified locations. Reliability data for Silicon Technology and Package Reliability represent a composite of all qualified locations. For related documents such as package/tape drawings, part marking, and reliability data, see <http://www.vishay.com/ppg?70883>.



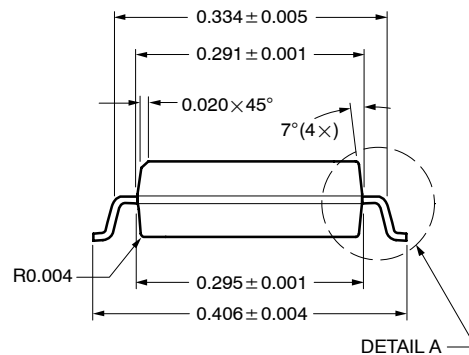
SOIC (WIDE-BODY): 16-LEAD (POWER IC ONLY)



ECN: S-40079—Rev. A, 02-Feb-04
DWG: 5910



DETAIL A

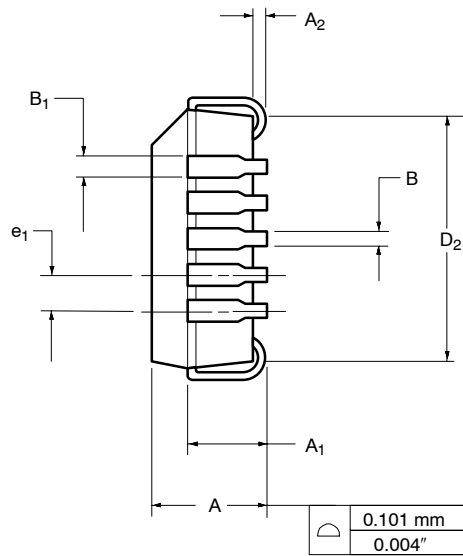
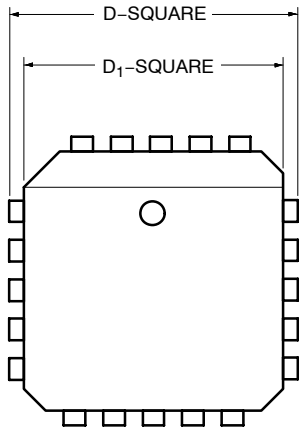


DETAIL A

All Dimensions In Inches



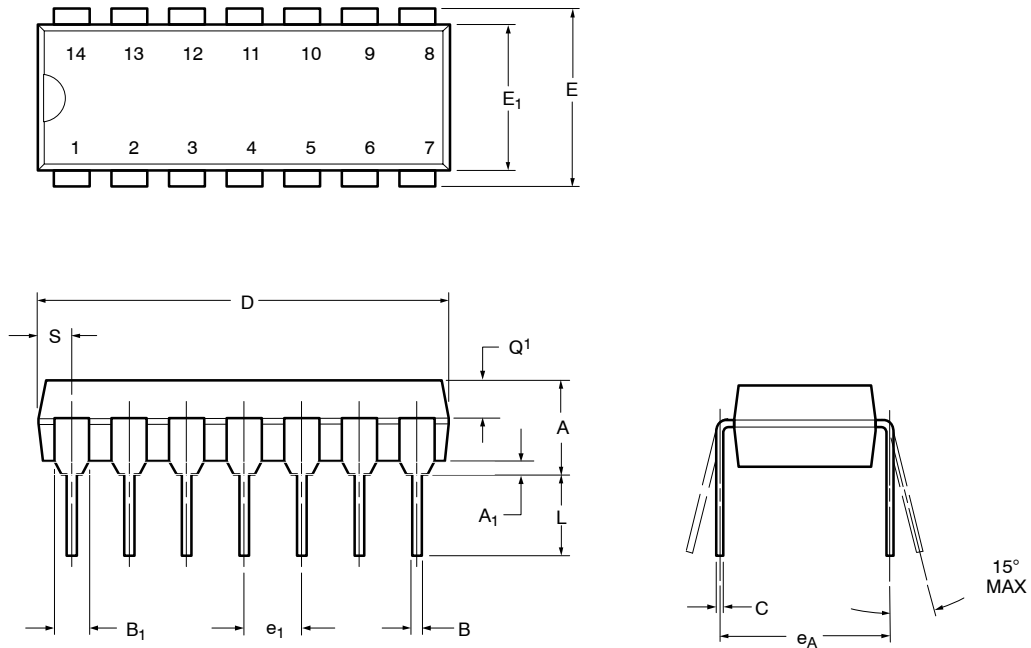
PLCC: 20-LEAD (POWER IC ONLY)



Dim	MILLIMETERS		INCHES	
	Min	Max	Min	Max
A	4.20	4.57	0.165	0.180
A₁	2.29	3.04	0.090	0.120
A₂	0.51	-	0.020	-
B	0.331	0.553	0.013	0.021
B₁	0.661	0.812	0.026	0.032
D	9.78	10.03	0.385	0.395
D₁	8.890	9.042	0.350	0.356
D₂	7.37	8.38	0.290	0.330
e₁	1.27 BSC		0.050 BSC	

ECN: S-40081—Rev. A, 02-Feb-04
DWG: 5917

PDIP: 14-LEAD (POWER IC ONLY)



Dim	MILLIMETERS		INCHES	
	Min	Max	Min	Max
A	3.81	5.08	0.150	0.200
A₁	0.38	1.27	0.015	0.050
B	0.38	0.51	0.015	0.020
B₁	0.89	1.65	0.035	0.065
C	0.20	0.30	0.008	0.012
D	17.27	19.30	0.680	0.760
E	7.62	8.26	0.300	0.325
E₁	5.59	7.11	0.220	0.280
e₁	2.29	2.79	0.090	0.110
e_A	7.37	7.87	0.290	0.310
L	2.79	3.81	0.110	0.150
Q₁	1.27	2.03	0.050	0.080
S	1.02	2.03	0.040	0.080

ECN: S-40081—Rev. A, 02-Feb-04
DWG: 5919



Disclaimer

ALL PRODUCT, PRODUCT SPECIFICATIONS AND DATA ARE SUBJECT TO CHANGE WITHOUT NOTICE TO IMPROVE RELIABILITY, FUNCTION OR DESIGN OR OTHERWISE.

Vishay Intertechnology, Inc., its affiliates, agents, and employees, and all persons acting on its or their behalf (collectively, "Vishay"), disclaim any and all liability for any errors, inaccuracies or incompleteness contained in any datasheet or in any other disclosure relating to any product.

Vishay makes no warranty, representation or guarantee regarding the suitability of the products for any particular purpose or the continuing production of any product. To the maximum extent permitted by applicable law, Vishay disclaims (i) any and all liability arising out of the application or use of any product, (ii) any and all liability, including without limitation special, consequential or incidental damages, and (iii) any and all implied warranties, including warranties of fitness for particular purpose, non-infringement and merchantability.

Statements regarding the suitability of products for certain types of applications are based on Vishay's knowledge of typical requirements that are often placed on Vishay products in generic applications. Such statements are not binding statements about the suitability of products for a particular application. It is the customer's responsibility to validate that a particular product with the properties described in the product specification is suitable for use in a particular application. Parameters provided in datasheets and / or specifications may vary in different applications and performance may vary over time. All operating parameters, including typical parameters, must be validated for each customer application by the customer's technical experts. Product specifications do not expand or otherwise modify Vishay's terms and conditions of purchase, including but not limited to the warranty expressed therein.

Hyperlinks included in this datasheet may direct users to third-party websites. These links are provided as a convenience and for informational purposes only. Inclusion of these hyperlinks does not constitute an endorsement or an approval by Vishay of any of the products, services or opinions of the corporation, organization or individual associated with the third-party website. Vishay disclaims any and all liability and bears no responsibility for the accuracy, legality or content of the third-party website or for that of subsequent links.

Vishay products are not designed for use in life-saving or life-sustaining applications or any application in which the failure of the Vishay product could result in personal injury or death unless specifically qualified in writing by Vishay. Customers using or selling Vishay products not expressly indicated for use in such applications do so at their own risk. Please contact authorized Vishay personnel to obtain written terms and conditions regarding products designed for such applications.

No license, express or implied, by estoppel or otherwise, to any intellectual property rights is granted by this document or by any conduct of Vishay. Product names and markings noted herein may be trademarks of their respective owners.