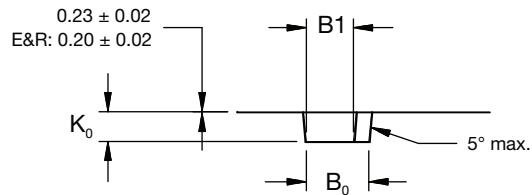
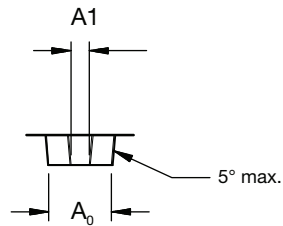
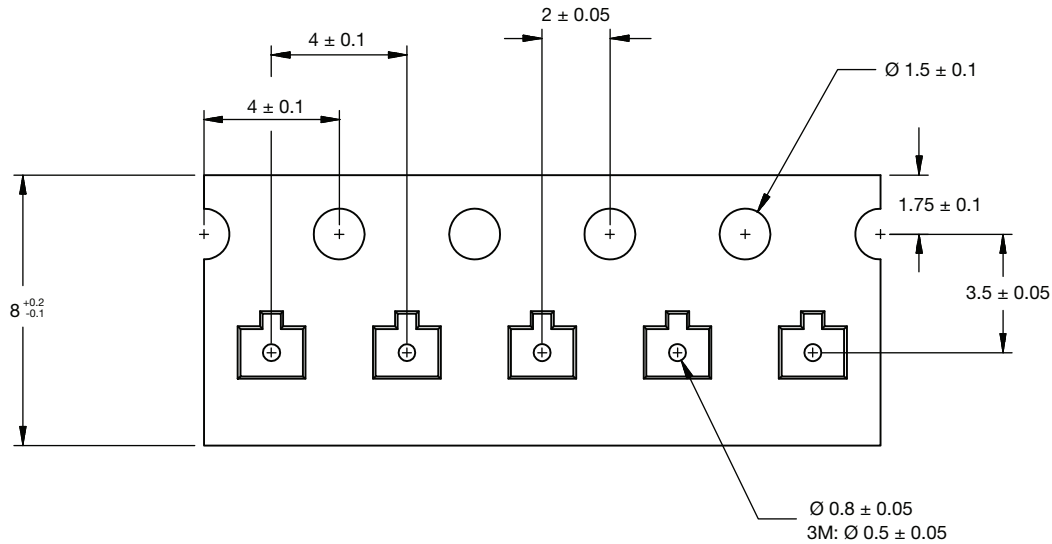


Carrier Tape SC89-3L



Version	A ₀	B ₀	K ₀	A ₁	B ₁
- 2 (SIM only)	1.85 ± 0.05	1.85 ± 0.05	0.88 ± 0.05	0.54 ± 0.05	1.4 ± 0.1

Notes

- (1) 10 sprocket hole pitch cumulative tolerance ± 0.2 mm
- (2) Camber not to exceed 1 mm in 100 mm, also cannot to exceed to 1 cm in 1 m actually
- (3) Material: 0.23 mm ± 0.02 mm thickness
- (4) Pocket position relative to sprocket hole measured as true position of pocket, not pocket hole
- (5) Pocked center and pocket hole center must be same position
- (6) Vishay part number must be labeled at all reels of cover and carrier tape
- (7) Surface resistivity: 1 x 10⁴ Ω to 1 x 10¹¹ Ω
- (8) No any particle with more than 0.2 mm is allowed

QUANTITY PER REEL	
T1	3000

ECN: C17-0219-Rev. J, 13-Mar-17
 DWG: 93-5217-X