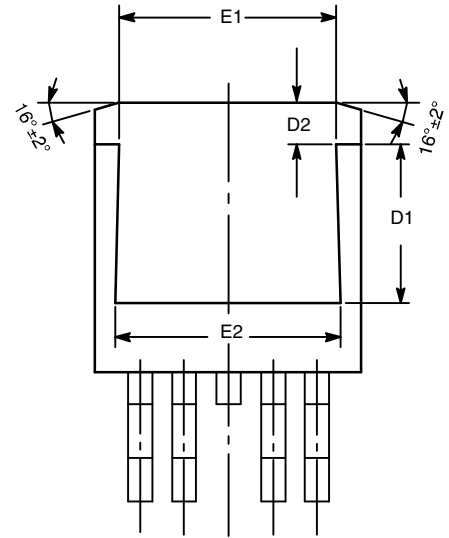
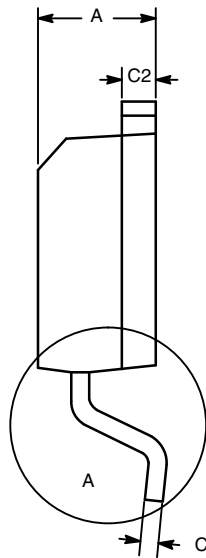
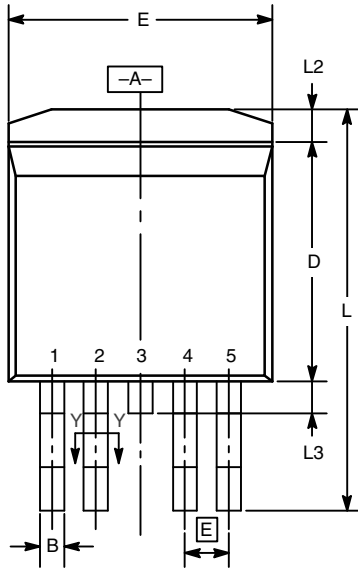
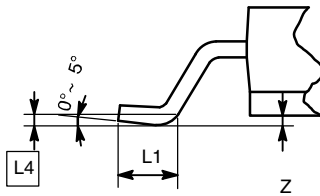


TO-263 (D²PAK): 5 Leads

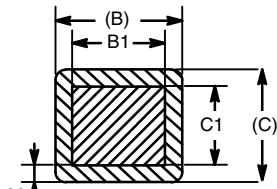
(for Lead Thickness 25 mil)



⊕ 0.010 (M) A (M)



Detail A



Section Y-Y

1. Plane B includes maximum features of heat sink tab and plastic.
2. No more than 25 % of L1 can fall above seating plane by maximum 8 mils.
3. Pin-to-pin coplanarity maximum 4 mils. Z not to exceed 10 mils.
4. Z not to exceed 10 mils.

DIM.	MILLIMETERS		INCHES	
	MIN.	MAX.	MIN.	MAX.
A	-	-	0.170	0.185
B	-	-	0.028	0.039
B1	-	-	0.028	0.035
C	-	-	0.018	0.028
C1	-	-	0.018	0.025
C2	-	-	0.045	0.055
D	-	-	0.340	0.380
D1	-	-	0.220	0.255
D2	-	-	0.044	0.052
E	-	-	0.385	0.405
E1	-	-	0.245	-
E2 ⁽¹⁾	-	-	0.355	0.375
E	-		0.067 BSC	
L	-	-	0.575	0.625
L1	-	-	0.090	0.110
L2	-	-	0.040	0.055
L3	-	-	0.050	0.070
L4	-		0.010 BSC	
M	-	-	-	0.002
ECN: T13-0708-Rev. D, 30-Sep-13 DWG: 5864				

Note

⁽¹⁾ Dimension E2 is for reference only.