

Precision 8-Ch/Dual 4-Ch Low Voltage Analog Multiplexers

DESCRIPTION

The DG3408, DG3409 uses BiCMOS wafer fabrication technology that allows the DG3408/3409 to operate on single and dual supplies. Single supply voltage ranges from 3 to 12 V while dual supply operation is recommended with ± 3 to ± 6 V.

The DG3408 is an 8-channel single-ended analog multiplexer designed to connect one of eight inputs to a common output as determined by a 3-bit binary address (A_0 , A_1 , A_2). The DG3409 is a dual 4-channel differential analog multiplexer designed to connect one of four differential inputs to a common dual output as determined by its 2-bit binary address (A_0 , A_1). Break-before-make switching action to protect against momentary crosstalk between adjacent channels.

FEATURES

- 2.7 V to 12 V single supply or ± 3 to ± 6 V dual supply operation
- Low on-resistance - R_{ON} : 3.9 Ω typ.
- Fast switching: t_{ON} - 42 ns, t_{OFF} - 24 ns
- Break-before-make guaranteed
- Low leakage
- TTL, CMOS, LV logic (3 V) compatible
- 2000 V ESD protection (HBM)
- MICRO FOOT® package
- Lead (Pb)-free solder bumps


RoHS
COMPLIANT

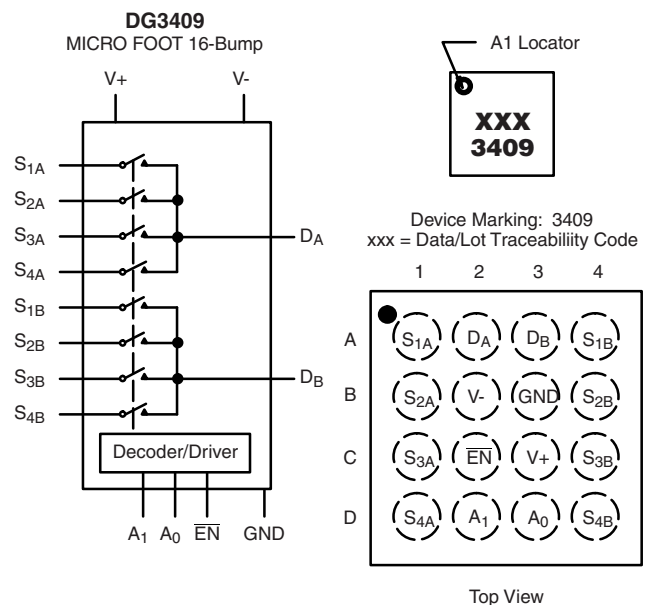
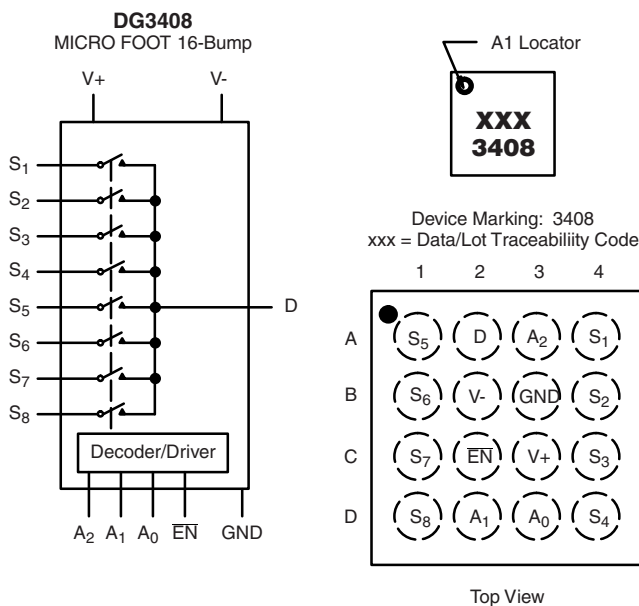
BENEFITS

- High accuracy
- Single and dual power rail capacity
- Wide operating voltage range
- Simple logic interface

APPLICATIONS

- Data acquisition systems
- Battery operated equipment
- Portable test equipment
- Sample and hold circuits
- Communication systems
- SDSL, DSLAM
- Audio and video signal routing

FUNCTIONAL BLOCK DIAGRAM AND PIN CONFIGURATION



TRUTH TABLE (DG3408)				
A ₂	A ₁	A ₀	\overline{EN}	On Switch
X	X	X	1	None
0	0	0	0	1
0	0	1	0	2
0	1	0	0	3
0	1	1	0	4
1	0	0	0	5
1	0	1	0	6
1	1	0	0	7
1	1	1	0	8

TRUTH TABLE (DG3409)			
A ₁	A ₀	\overline{EN}	On Switch
X	X	1	None
0	0	0	1
0	1	0	2
1	0	0	3
1	1	0	4

X = Do not care

For low and high voltage levels for V_{AX} and V_{EN} consult "Digital Control" Parameters for Specific V₊ operation. See Specifications Tables for:

- Single Supply 12 V
- Dual Supply V₊ = 5 V, V₋ = - 5 V
- Single Supply 5 V
- Single Supply 3 V

ORDERING INFORMATION (DG3408)		
Temperature Range	Package	Part Number
- 40 °C to 85 °C	MICRO FOOT: 16-Bump (4 x 4, 0.5 mm Pitch, 238 μm Bump Height)	DG3408DB-T2-E1 (Lead (Pb)-free)

ORDERING INFORMATION (DG3409)		
Temperature Range	Package	Part Number
- 40 °C to 85 °C	MICRO FOOT: 16-Bump (4 x 4, 0.5 mm Pitch, 238 μm Bump Height)	DG3409DB-T2-E1 (Lead (Pb)-free)

ABSOLUTE MAXIMUM RATINGS (T _A = 25 °C, unless otherwise noted)		
Parameter	Limit	Unit
Voltage Referenced V ₊ to V ₋	14	V
GND	7	
Digital Inputs ^a , V _S , V _D	(V ₋) - 0.3 V to (V) + 0.3 V	
Current (Any Terminal Except S or D)	30	mA
Continuous Current, S or D	100	
Peak Current, S or D (Pulsed at 1 ms, 10 % duty cycle max).	200	
Package Solder Reflow Conditions ^b	IR/Convection	°C
Storage Temperature	- 65 to 150	
Power Dissipation (Package) ^c , (T _A = 70 °C)	16-Bump (4 x 4 mm) MICRO FOOT ^d	mW

Notes:

- a. Signals on S_X, D_X or I_{NX} exceeding V₊ or V₋ will be clamped by internal diodes. Limit forward diode current to maximum current ratings.
- b. Refer to IPC/JEDEC (J-STD-020B).
- c. All bumps soldered or welded to PC board.
- d. Derate 9.0 mW/°C above 70 °C.



SPECIFICATIONS (Single Supply 12 V)							
Parameter	Symbol	Test Conditions Unless Otherwise Specified $V_+ = 12\text{ V}, \pm 10\%, V_- = 0\text{ V}$ $V_A, V_{\overline{\text{EN}}} = 0.8\text{ V or } 2.4\text{ V}^f$	Temp. ^b	Limits - 40 °C to 85 °C			Unit
				Min. ^c	Typ. ^d	Max. ^e	
Analog Switch							
Analog Signal Range ^e	V_{ANALOG}		Full	0		12	V
On-Resistance	R_{ON}	$V_+ = 10.8\text{ V}, V_D = 2\text{ V or } 9\text{ V}, I_S = 50\text{ mA}$ Sequence Each Switch On	Room Full		4	7 7.5	Ω
R_{ON} Match Between Channels ^g	ΔR_{ON}	$V_+ = 10.8\text{ V}, V_D = 2\text{ V or } 9\text{ V}, I_S = 50\text{ mA}$	Room			3.6	
On-Resistance Flatness ⁱ	R_{ON} Flatness		Room				
Switch Off Leakage Current	$I_{\text{S(off)}}$	$V_{\overline{\text{EN}}} = 2.4\text{ V}, V_D = 11\text{ V or } 1\text{ V}, V_S = 1\text{ V or } 11\text{ V}$	Room Full	- 2 - 20		2 20	nA
	$I_{\text{D(off)}}$		Room Full	- 2 - 20		2 20	
Channel On Leakage Current	$I_{\text{D(on)}}$	$V_{\overline{\text{EN}}} = 0\text{ V}, V_S = V_D = 1\text{ V or } 11\text{ V}$	Room Full	- 2 - 20		2 20	
Digital Control							
Logic High Input Voltage	V_{INH}		Full	2.4			V
Logic Low Input Voltage	V_{INL}		Full			0.8	
Input Current	I_{IN}	$V_{\text{AX}} = V_{\overline{\text{EN}}} = 2.4\text{ V or } 0.8\text{ V}$	Full	- 1		1	μA
Dynamic Characteristics							
Transition Time	t_{TRANS}	$V_{\text{S1}} = 8\text{ V}, V_{\text{S8}} = 0\text{ V}, (\text{DG3408})$ $V_{\text{S1b}} = 8\text{ V}, V_{\text{S4b}} = 0\text{ V}, (\text{DG3409})$ see figure 2	Room Full			42 71 75	ns
Break-Before-Make Time	t_{BBM}	$V_{\text{S(all)}} = V_{\text{DA}} = 5\text{ V}$ see figure 4	Room Full	2		24	
Enable Turn-On Time	$t_{\text{ON}(\overline{\text{EN}})}$	$V_{\text{AX}} = 0\text{ V}, V_{\text{S1}} = 5\text{ V} (\text{DG3408})$ $V_{\text{AX}} = 0\text{ V}, V_{\text{S1b}} = 5\text{ V} (\text{DG3409})$ see figure 3	Room Full			42 70 75	
Enable Turn-Off Time	$t_{\text{OFF}(\overline{\text{EN}})}$		Room Full			24 44 46	
Charge Injection ^e	Q	$C_L = 1\text{ nF}, V_{\text{GEN}} = 0\text{ V}, R_{\text{GEN}} = 0\text{ } \Omega$	Room			29	pC
Off Isolation ^{e, h}	OIRR	$f = 100\text{ kHz}, R_L = 1\text{ k}\Omega$	Room			- 80	dB
Crosstalk ^e	X_{TALK}		Room			- 85	
Source Off Capacitance ^e	$C_{\text{S(off)}}$	$f = 1\text{ MHz}, V_S = 0\text{ V}, V_{\overline{\text{EN}}} = 2.4\text{ V}$	DG3408	Room		21	pF
			DG3409	Room		23	
Drain Off Capacitance ^e	$C_{\text{D(off)}}$	$f = 1\text{ MHz}, V_D = 0\text{ V}, V_{\overline{\text{EN}}} = 2.4\text{ V}$	DG3408	Room		211	
			DG3409	Room		112	
Drain On Capacitance ^e	$C_{\text{D(on)}}$	$f = 1\text{ MHz}, V_D = 0\text{ V}, V_{\overline{\text{EN}}} = 0\text{ V}$	DG3408	Room		238	
			DG3409	Room		137	
Power Supplies							
Power Supply Current	I+	$V_{\overline{\text{EN}}} = V_A = 0\text{ V or } V_+$	Room			1.0	μA



SPECIFICATIONS (Dual Supply $V_+ = 5\text{ V}$, $V_- = -5\text{ V}$)							
Parameter	Symbol	Test Conditions Unless Otherwise Specified $V_+ = 5\text{ V}$, $V_- = -5\text{ V}$, $\pm 10\%$ V_A , $V_{\overline{EN}} = 0.8\text{ V}$ or 2.0 V^f	Temp. ^b	Limits - 40 °C to 85 °C			Unit
				Min. ^c	Typ. ^d	Max. ^c	
Analog Switch							
Analog Signal Range ^e	V_{ANALOG}		Full	- 5		5	V
On-Resistance	R_{ON}	$V_+ = 4.5\text{ V}$, $V_- = -4.5\text{ V}$, $V_D = \pm 3.5\text{ V}$, $I_S = 50\text{ mA}$, sequence each switch on	Room Full		5	8 8.5	Ω
r_{ON} Match Between Channels ^g	ΔR_{ON}		Room			3.6	
On-Resistance Flatness ⁱ	R_{ON} Flatness	$V_+ = 4.5\text{ V}$, $V_- = -4.5\text{ V}$, $V_D = \pm 3.5\text{ V}$, $I_S = 50\text{ mA}$	Room			8.2	
Switch Off Leakage Current ^a	$I_{\text{S(off)}}$	$V_+ = 5.5\text{ V}$, $V_- = -5.5\text{ V}$ $V_{\overline{EN}} = 2.4\text{ V}$, $V_D = \pm 4.5\text{ V}$, $V_S = \pm 4.5\text{ V}$	Room Full	- 2 - 20		2 20	nA
	$I_{\text{D(off)}}$		Room Full	- 2 - 20		2 20	
Channel On Leakage Current ^a	$I_{\text{D(on)}}$	$V_+ = 5.5\text{ V}$, $V_- = -5.5\text{ V}$ $V_{\overline{EN}} = 0\text{ V}$, $V_D = \pm 4.5\text{ V}$, $V_S = \pm 4.5\text{ V}$	Room Full	- 2 - 20		2 20	
Digital Control							
Logic High Input Voltage	V_{INH}		Full	2.0			V
Logic Low Input Voltage	V_{INL}		Full			0.8	
Input Current ^a	I_{IN}	$V_{\text{AX}} = V_{\overline{\text{EN}}} = 2.0\text{ V}$ or 0.8 V	Full	- 1		1	μA
Dynamic Characteristics							
Transition Time ^e	t_{TRANS}	$V_{\text{S1}} = 3.5\text{ V}$, $V_{\text{S8}} = -3.5\text{ V}$, (DG3408) $V_{\text{S1b}} = 3.5\text{ V}$, $V_{\text{S4b}} = -3.5\text{ V}$, (DG3409) see figure 2	Room Full		68	89 94	ns
Break-Before-Make Time ^e	t_{BBM}	$V_{\text{S(all)}} = V_{\text{DA}} = 3.5\text{ V}$ see figure 4	Room Full	1	16		
Enable Turn-On Time ^e	$t_{\text{ON}(\overline{\text{EN}})}$	$V_{\text{AX}} = 0\text{ V}$, $V_{\text{S1}} = 3.5\text{ V}$ (DG3408) $V_{\text{AX}} = 0\text{ V}$, $V_{\text{S1b}} = 3.5\text{ V}$ (DG3409) see figure 3	Room Full		68	88 94	
Enable Turn-Off Time ^e	$t_{\text{OFF}(\overline{\text{EN}})}$		Room Full		58	78 81	
Source Off Capacitance ^e	$C_{\text{S(off)}}$	$f = 1\text{ MHz}$, $V_S = 0\text{ V}$, $V_{\overline{\text{EN}}} = 2.0\text{ V}$	DG3408 Room		23		pF
			DG3409 Room		23		
Drain Off Capacitance ^e	$C_{\text{D(off)}}$	$f = 1\text{ MHz}$, $V_D = 0\text{ V}$, $V_{\overline{\text{EN}}} = 2.0\text{ V}$	DG3408 Room		223		
			DG3409 Room		113		
Drain On Capacitance ^e	$C_{\text{D(on)}}$	$f = 1\text{ MHz}$, $V_D = 0\text{ V}$, $V_{\overline{\text{EN}}} = 0\text{ V}$	DG3408 Room		246		
			DG3409 Room		137		
Power Supplies							
Power Supply Current	I+	$V_{\overline{\text{EN}}} = V_A = 0\text{ V}$ or V_+	Room			1.0	μA
	I-		Room	- 1.0			



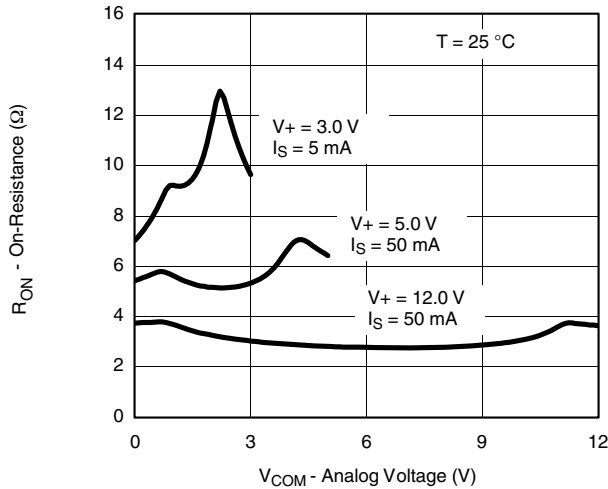
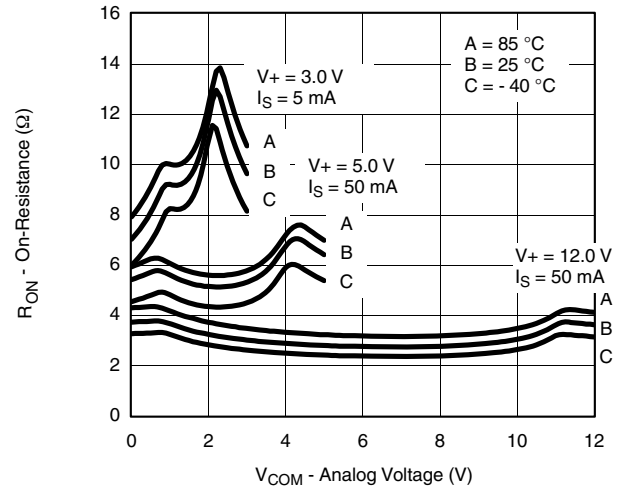
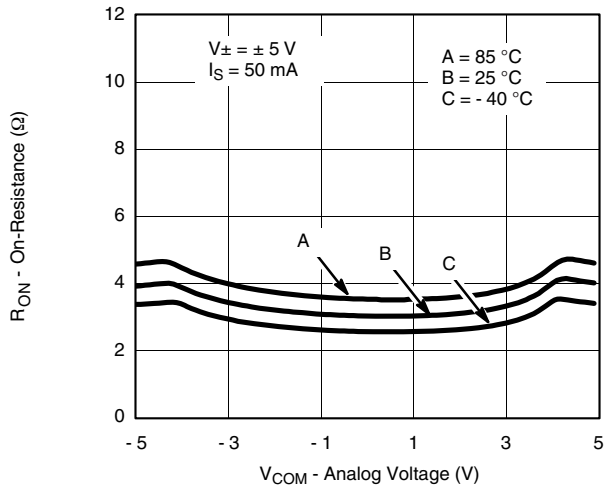
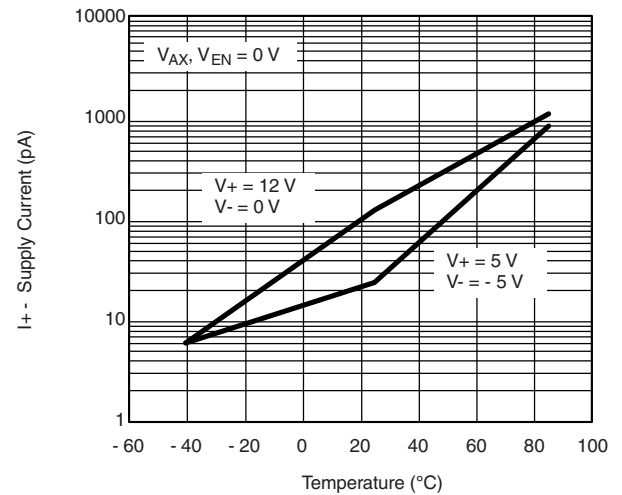
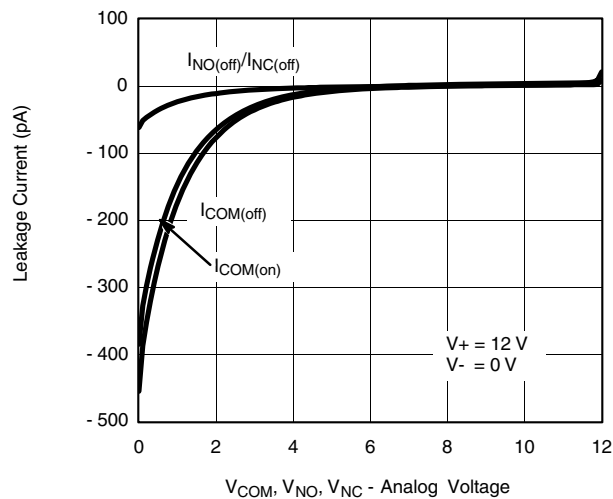
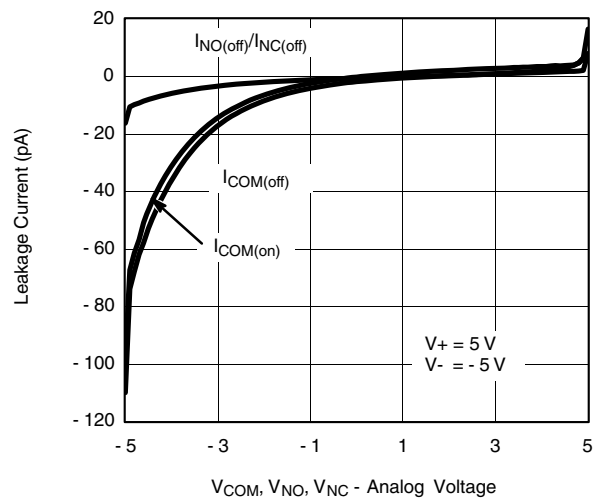
SPECIFICATIONS (Single Supply 5 V)							
Parameter	Symbol	Test Conditions Unless Otherwise Specified $V_+ = 5\text{ V}, \pm 10\%$, $V_- = 0\text{ V}$ $V_A, V_{\overline{EN}} = 0.8\text{ V or } 2.0\text{ V}^f$	Temp. ^b	Limits - 40 °C to 85 °C			Unit
				Min. ^c	Typ. ^d	Max. ^e	
Analog Switch							
Analog Signal Range ^e	V_{ANALOG}		Full	0		5	V
On-Resistance	R_{ON}	$V_+ = 4.5\text{ V}, V_D \text{ or } V_S = 1\text{ V or } 3.5\text{ V}, I_S = 50\text{ mA}$	Room Full		7	10.5 11	Ω
r_{ON} Match Between Channels ^g	ΔR_{ON}	$V_+ = 4.5\text{ V}, V_D = 1\text{ V or } 3.5\text{ V}, I_S = 50\text{ mA}$	Room			3.6	
On-Resistance Flatness ⁱ	R_{ON} Flatness		Room			9	
Switch Off Leakage Current ^a	$I_{\text{S(off)}}$	$V_+ = 5.5\text{ V}$ $V_S = 1\text{ V or } 4\text{ V}, V_D = 4\text{ V or } 1\text{ V}$	Room Full	- 2 - 20		2 20	nA
	$I_{\text{D(off)}}$		Room Full	- 2 - 20		2 20	
Channel On Leakage Current ^a	$I_{\text{D(on)}}$	$V_+ = 5.5\text{ V}$ $V_D = V_S = 1\text{ V or } 4\text{ V}, \text{ sequence each switch on}$	Room Full	- 2 - 20		2 20	
Digital Control							
Logic High Input Voltage	V_{INH}	$V_+ = 5\text{ V}$	Full	2.0			V
Logic Low Input Voltage	V_{INL}		Full			0.8	
Input Current ^a	I_{IN}	$V_{\text{AX}} = V_{\overline{\text{EN}}} = 2.0\text{ V or } 0.8\text{ V}$	Full	- 1		1	μA
Dynamic Characteristics							
Transition Time ^e	t_{TRANS}	$V_{\text{S1}} = 3.5\text{ V}, V_{\text{S8}} = 0\text{ V}, \text{ (DG3408)}$ $V_{\text{S1b}} = 3.5\text{ V}, V_{\text{S4b}} = 0\text{ V}, \text{ (DG3409)}$ see figure 2	Room Full		73	94 104	ns
Break-Before-Make Time ^e	t_{OPEN}	$V_{\text{S(all)}} = V_{\text{DA}} = 3.5\text{ V}$ see figure 4	Room Full	2	29		
Enable Turn-On Time ^e	$t_{\text{ON}(\overline{\text{EN}})}$	$V_{\text{AX}} = 0\text{ V}, V_{\text{S1}} = 3.5\text{ V} \text{ (DG3408)}$ $V_{\text{AX}} = 0\text{ V}, V_{\text{S1b}} = 3.5\text{ V} \text{ (DG3409)}$ see figure 3	Room Full		74	94 104	
Enable Turn-Off Time ^e	$t_{\text{OFF}(\overline{\text{EN}})}$		Room Full		38	57 61	
Charge Injection ^e	Q	$C_L = 1\text{ nF}, R_{\text{GEN}} = 0\ \Omega, V_{\text{GEN}} = 0\text{ V}$	Room		20		pC
Off Isolation ^{e, h}	OIRR	$R_L = 1\text{ k}\Omega, f = 100\text{ kHz}$	Room		- 81		dB
Crosstalk ^e	X_{TALK}		Room		- 85		
Source Off Capacitance ^e	$C_{\text{S(off)}}$	$f = 1\text{ MHz}, V_S = 0\text{ V}, V_{\overline{\text{EN}}} = 0\text{ V}$	DG3408	Room		22	pF
			DG3409	Room		24	
Drain Off Capacitance ^e	$C_{\text{D(off)}}$	$f = 1\text{ MHz}, V_D = 0\text{ V}, V_{\overline{\text{EN}}} = 2.0\text{ V}$	DG3408	Room		223	
			DG3409	Room		113	
Drain On Capacitance ^e	$C_{\text{D(on)}}$	$f = 1\text{ MHz}, V_D = 0\text{ V}, V_{\overline{\text{EN}}} = 0\text{ V}$	DG3408	Room		244	
			DG3409	Room		143	
Power Supplies							
Power Supply Current	I+	$V_{\overline{\text{EN}}} = V_A = 0\text{ V or } V_+$	Room			1.0	μA

SPECIFICATIONS (Single Supply 3 V)							
Parameter	Symbol	Test Conditions Unless Otherwise Specified $V_+ = 3\text{ V}, \pm 10\%, V_- = 0\text{ V}$ $V_{\overline{\text{EN}}} = 0.4\text{ V}$ or 1.8 V^f	Temp ^b	Limits - 40 °C to 85 °C			Unit
				Min ^c	Typ ^d	Max ^c	
Analog Switch							
Analog Signal Range ^e	V_{ANALOG}		Full	0		3	V
On-Resistance	R_{ON}	$V_+ = 2.7\text{ V}, V_{\text{D}} = 0.5\text{ or }2.2\text{ V}, I_{\text{S}} = 5\text{ mA}$	Room Full		12	25.5 26.5	Ω
R_{ON} Match Between Channels ^g	ΔR_{ON}	$V_+ = \pm 2.7\text{ V}, V_{\text{D}} = 0.5\text{ V}$ or $2.2\text{ V}, I_{\text{S}} = 5\text{ mA}$	Room			3.6	
On-Resistance Flatness ⁱ	R_{ON} Flatness		Room				
Switch Off Leakage Current ^a	$I_{\text{S(off)}}$	$V_+ = 3.3\text{ V}$ $V_{\text{S}} = 2\text{ or }1\text{ V}, V_{\text{D}} = 1\text{ or }2\text{ V}$	Room Full	- 2 - 20		2 20	nA
	$I_{\text{D(off)}}$		Room Full	- 2 - 20		2 20	
Channel On Leakage Current ^a	$I_{\text{D(on)}}$	$V_+ = 3.3\text{ V}$ $V_{\text{D}} = V_{\text{S}} = 1\text{ or }2\text{ V}$, sequence each switch on	Room Full	- 2 - 20		2 20	
Digital Control							
Logic High Input Voltage	V_{INH}		Full	1.8			V
Logic Low Input Voltage	V_{INL}		Full			0.4	
Input Current ^a	I_{IN}	$V_{\text{AX}} = V_{\overline{\text{EN}}} = 1.8\text{ V}$ or 0.4 V	Full	- 1		1	μA
Dynamic Characteristics							
Transition Time	t_{TRANS}	$V_{\text{S1}} = 1.5\text{ V}, V_{\text{S8}} = 0\text{ V}$, (DG3408) $V_{\text{S1b}} = 1.5\text{ V}, V_{\text{S4b}} = 0\text{ V}$, (DG3409) see figure 2	Room Full		140	165 182	ns
Break-Before-Make Time	t_{BBM}	$V_{\text{S(all)}} = V_{\text{DA}} = 1.5\text{ V}$ see figure 4	Room Full	2	63		
Enable Turn-On Time	$t_{\text{ON}(\overline{\text{EN}})}$	$V_{\text{AX}} = 0\text{ V}, V_{\text{S1}} = 1.5\text{ V}$ (DG3408) $V_{\text{AX}} = 0\text{ V}, V_{\text{S1b}} = 1.5\text{ V}$ (DG3409) see figure 3	Room Full		140	162 178	
Enable Turn-Off Time	$t_{\text{OFF}(\overline{\text{EN}})}$		Room Full		76	97 104	
Charge Injection ^e	Q	$C_{\text{L}} = 1\text{ nF}, R_{\text{GEN}} = 0, V_{\text{GEN}} = 0\text{ V}$	Room		7		μC
Off Isolation ^{e, h}	OIRR	$f = 100\text{ kHz}, R_{\text{L}} = 1\text{ k}\Omega$	Room		- 81		dB
Crosstalk ^e	X_{TALK}		Room		- 85		
Source Off Capacitance ^e	$C_{\text{S(off)}}$	$f = 1\text{ MHz}, V_{\text{S}} = 0\text{ V}, V_{\overline{\text{EN}}} = 1.8\text{ V}$	DG3408	Room		23	pF
			DG3409	Room		25	
Drain Off Capacitance ^e	$C_{\text{D(off)}}$	$f = 1\text{ MHz}, V_{\text{D}} = 0\text{ V}, V_{\overline{\text{EN}}} = 1.8\text{ V}$	DG3408	Room		230	
			DG3409	Room		120	
Drain On Capacitance ^e	$C_{\text{D(on)}}$	$f = 1\text{ MHz}, V_{\text{D}} = 0\text{ V}, V_{\overline{\text{EN}}} = 0\text{ V}$	DG3408	Room		256	
			DG3409	Room		147	
Power Supplies							
Power Supply Current	I_+	$V_{\overline{\text{EN}}} = V_{\text{A}} = 0\text{ V}$ or V_+	Room			1.0	μA

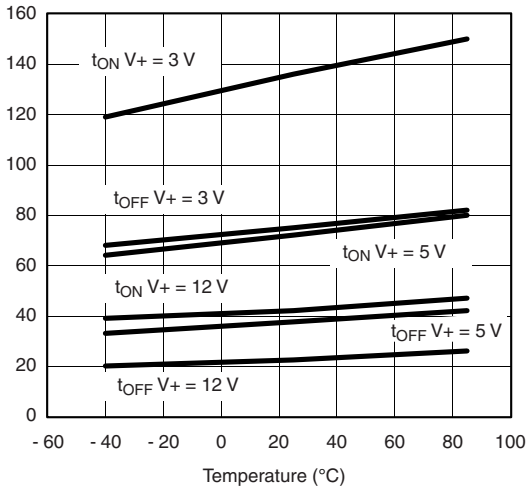
Notes:

- Leakage parameters are guaranteed by worst case test condition and not subject to production test.
- Room = 25 °C, Full = as determined by the operating temperature suffix.
- The algebraic convention whereby the most negative value is a minimum and the most positive a maximum, is used in this data sheet.
- Typical values are for DESIGN AID ONLY, not guaranteed nor subject to production testing.
- Guaranteed by design, not subject to production test.
- V_{IN} = input voltage to perform proper function.
- $\Delta R_{\text{DON}} = R_{\text{DON Max}} - R_{\text{DON Min}}$.
- Worst case isolation occurs on Channel 4 due to proximity to the drain pin.
- R_{DON} flatness is measured as the difference between the minimum and maximum measured values across a defined Analog signal.

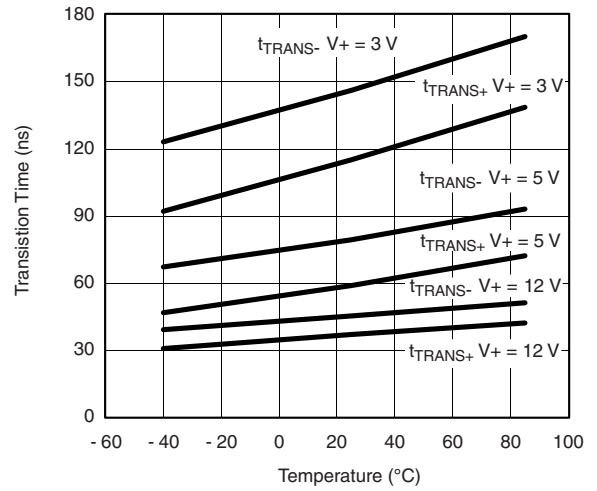
Stresses beyond those listed under "Absolute Maximum Ratings" may cause permanent damage to the device. These are stress ratings only, and functional operation of the device at these or any other conditions beyond those indicated in the operational sections of the specifications is not implied. Exposure to absolute maximum rating conditions for extended periods may affect device reliability.

TYPICAL CHARACTERISTICS (25 °C, unless otherwise noted)

RON vs. VCOM and Single Supply Voltage

RON vs. Analog Voltage and Temperature

RON vs. Analog Voltage and Temperature

Supply Current vs. Temperature

Leakage Current vs. Analog Voltage

Leakage Current vs. Analog Voltage

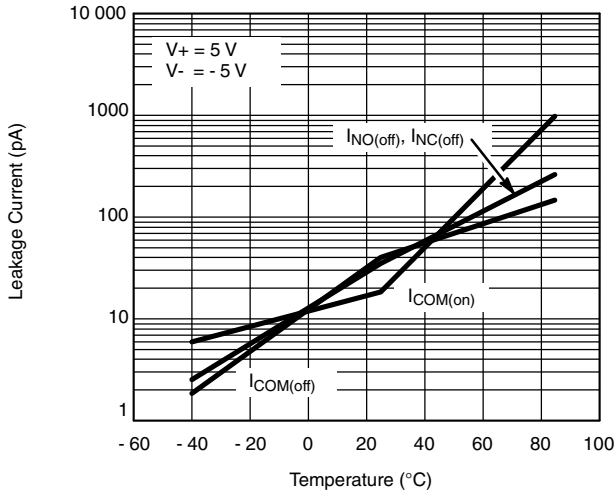
TYPICAL CHARACTERISTICS (25 °C, unless otherwise noted)



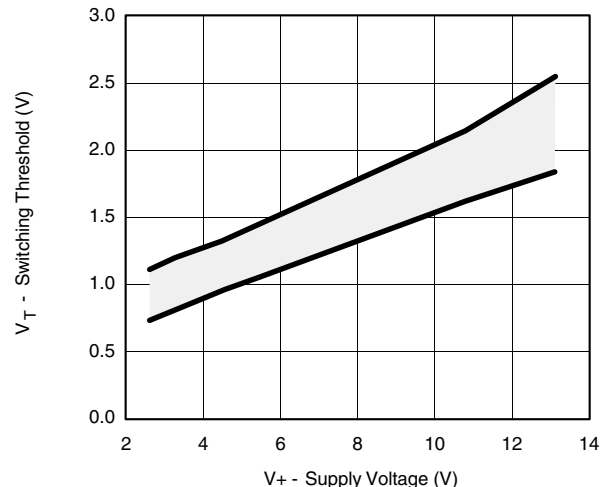
Switching Time vs. Temperature and Single Supply Voltage



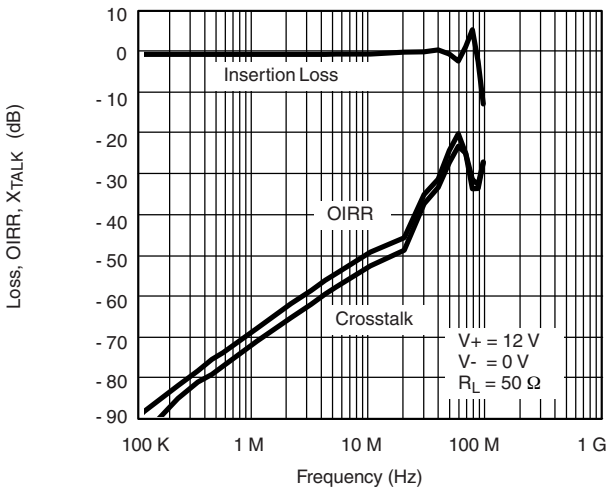
Transition Time vs. Temperature and Single Supply Voltage



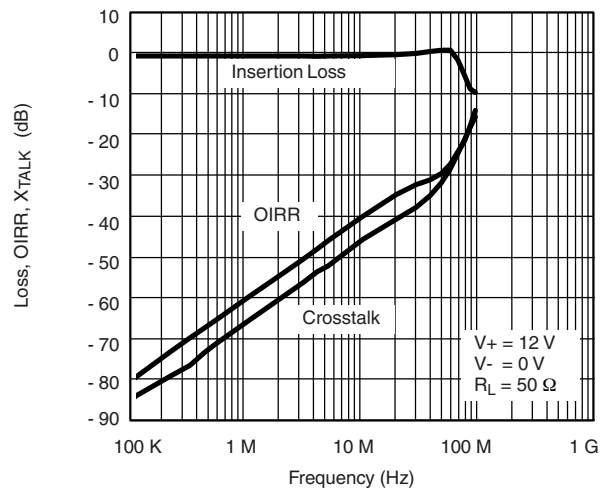
Leakage Current vs. Temperature



Switching Threshold vs. Supply Voltage

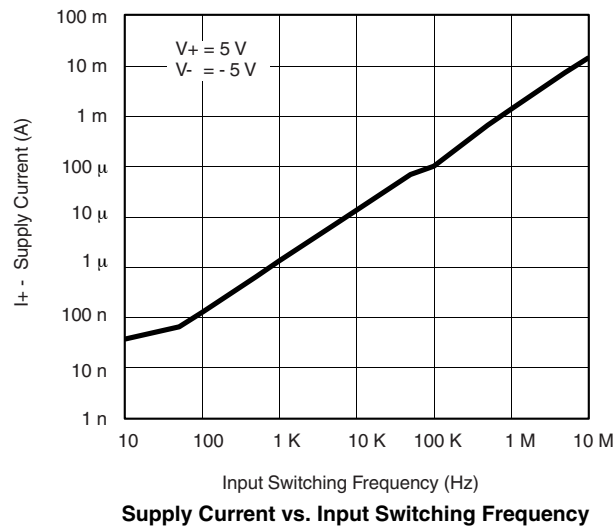


Insertion Loss, Off Isolation and Crosstalk vs. Frequency (DG3408)



Insertion Loss, Off Isolation and Crosstalk vs. Frequency (DG3409)

TYPICAL CHARACTERISTICS (25 °C, unless otherwise noted)



SCHEMATIC DIAGRAM (Typical Channel)

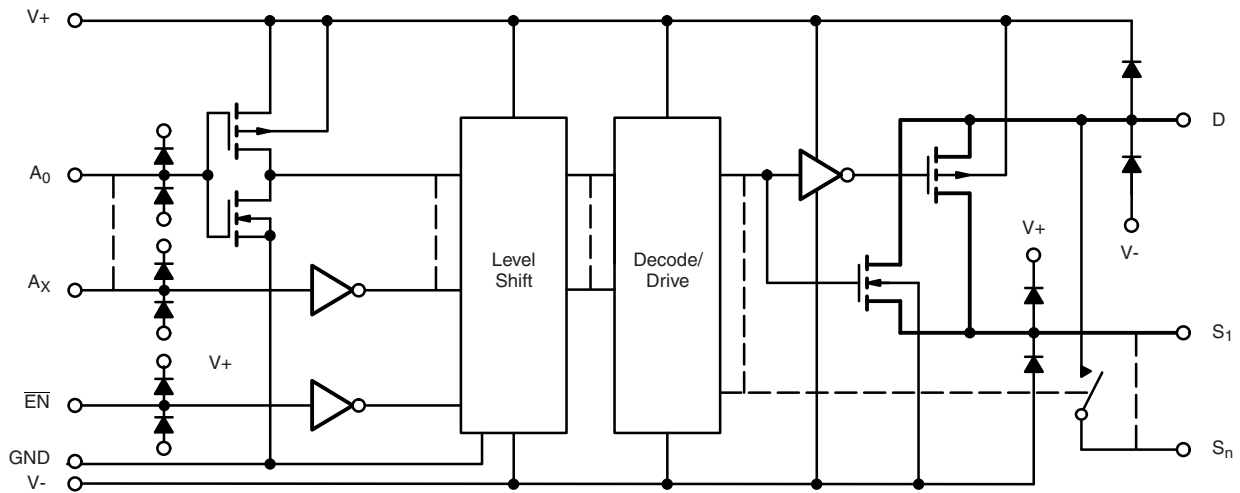
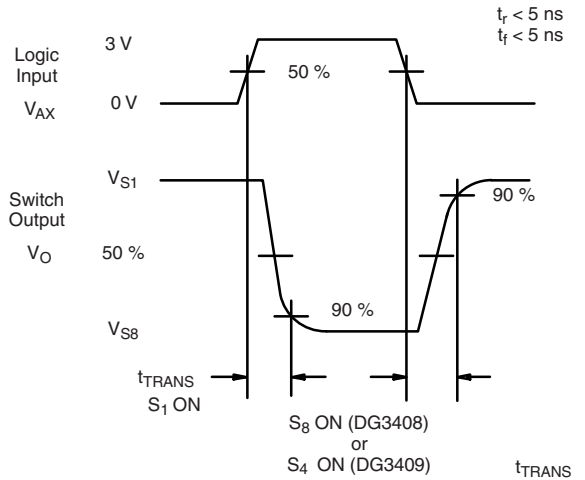
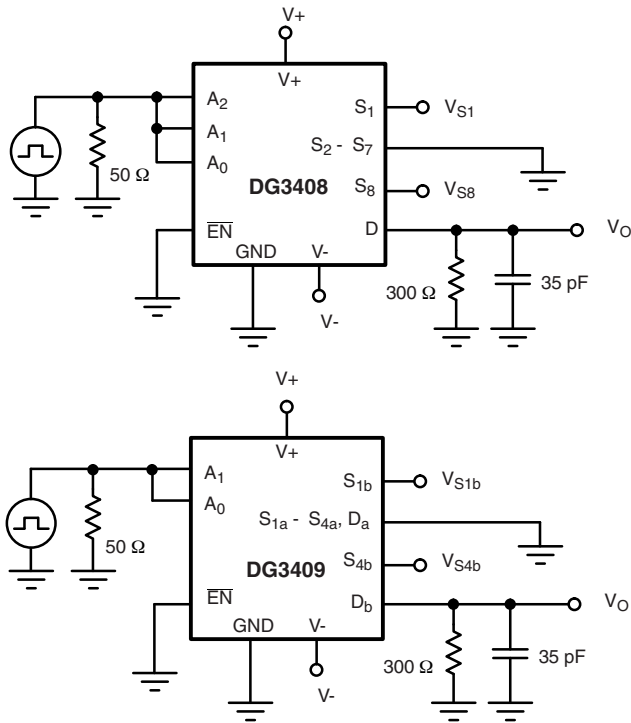


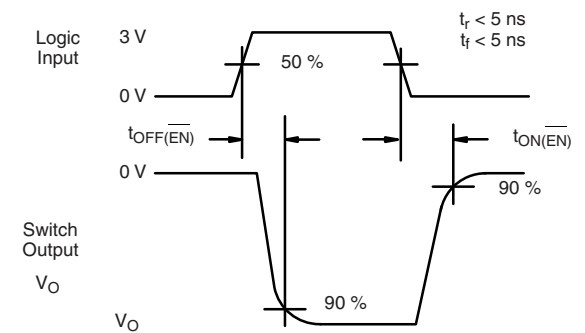
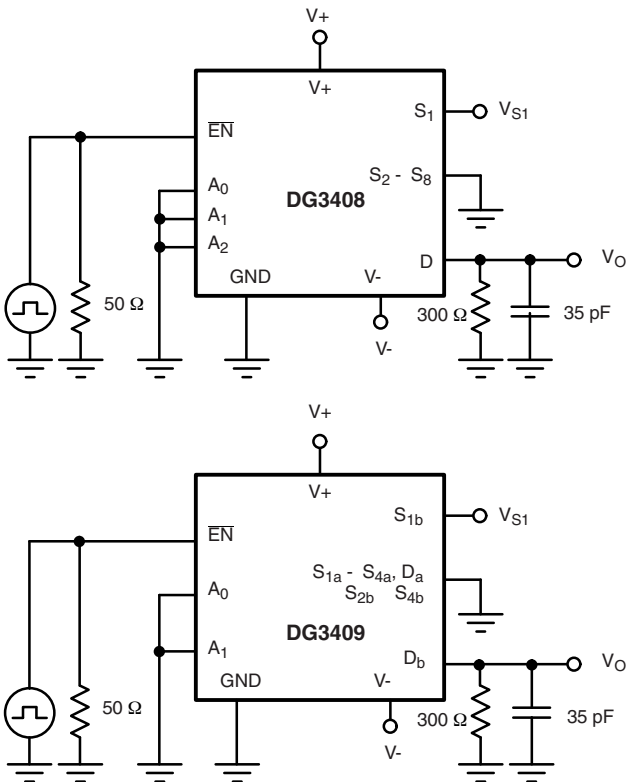
Figure 1.

TEST CIRCUITS



Return to Specifications:
 Single Supply 12 V
 Dual Supply $V_+ = 5\text{ V}$, $V_- = -5\text{ V}$
 Single Supply 5 V
 Single Supply 3 V

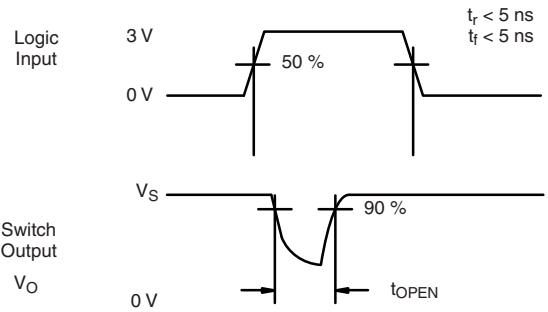
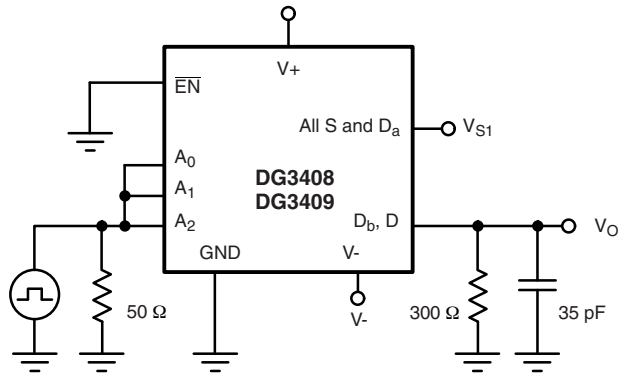
Figure 2. Transition Time



Return to Specifications:
 Single Supply 12 V
 Dual Supply $V_+ = 5\text{ V}$, $V_- = -5\text{ V}$
 Single Supply 5 V
 Single Supply 3 V

Figure 3. Enable Switching Time

TEST CIRCUITS



Return to Specifications:
 Single Supply 12 V
 Dual Supply V+ = 5 V, V- = -5 V
 Single Supply 5 V
 Single Supply 3 V

Figure 4. Break-Before-Make Interval

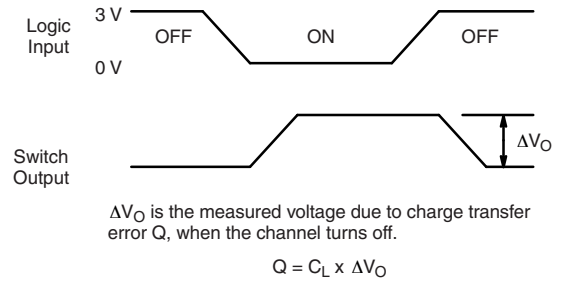
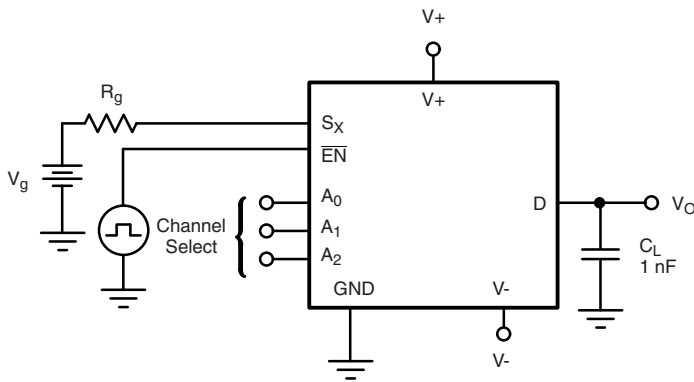


Figure 5. Charge Injection

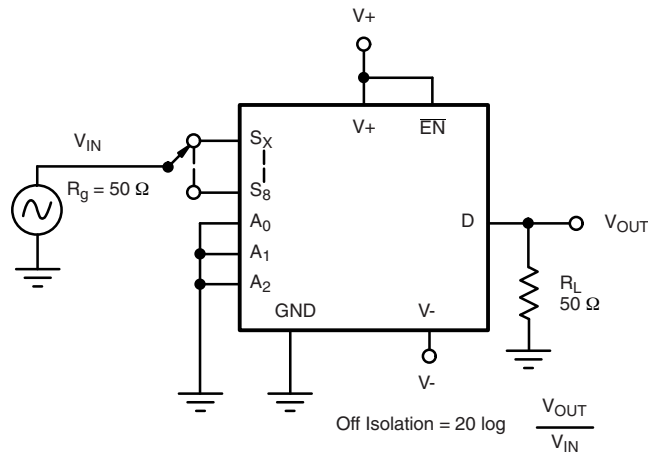


Figure 6. Off Isolation

TEST CIRCUITS

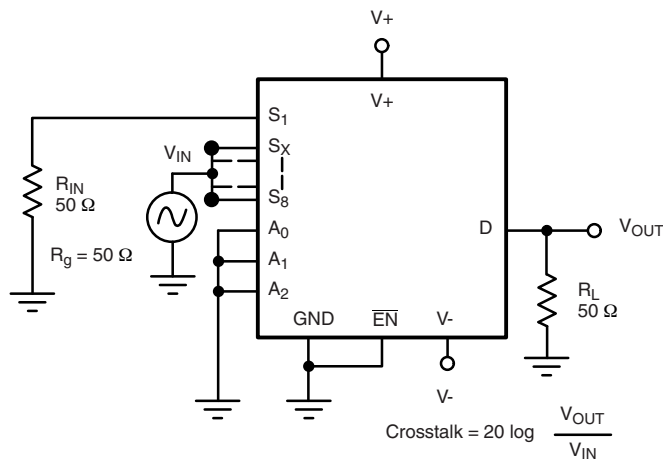


Figure 7. Crosstalk

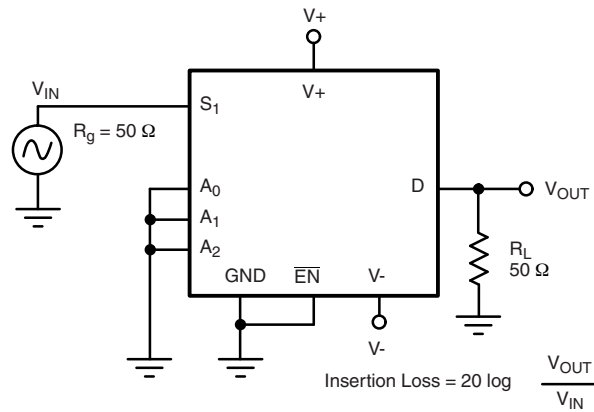


Figure 8. Insertion Loss

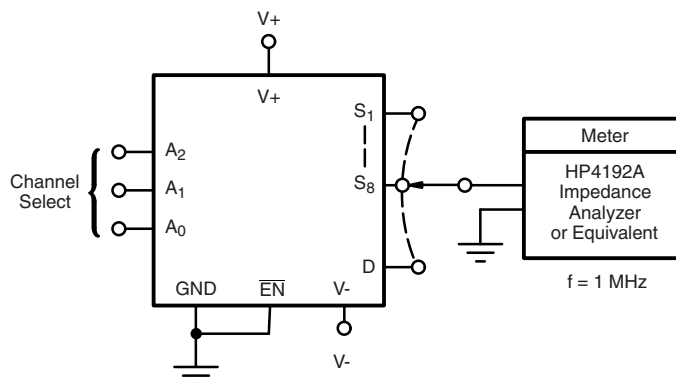
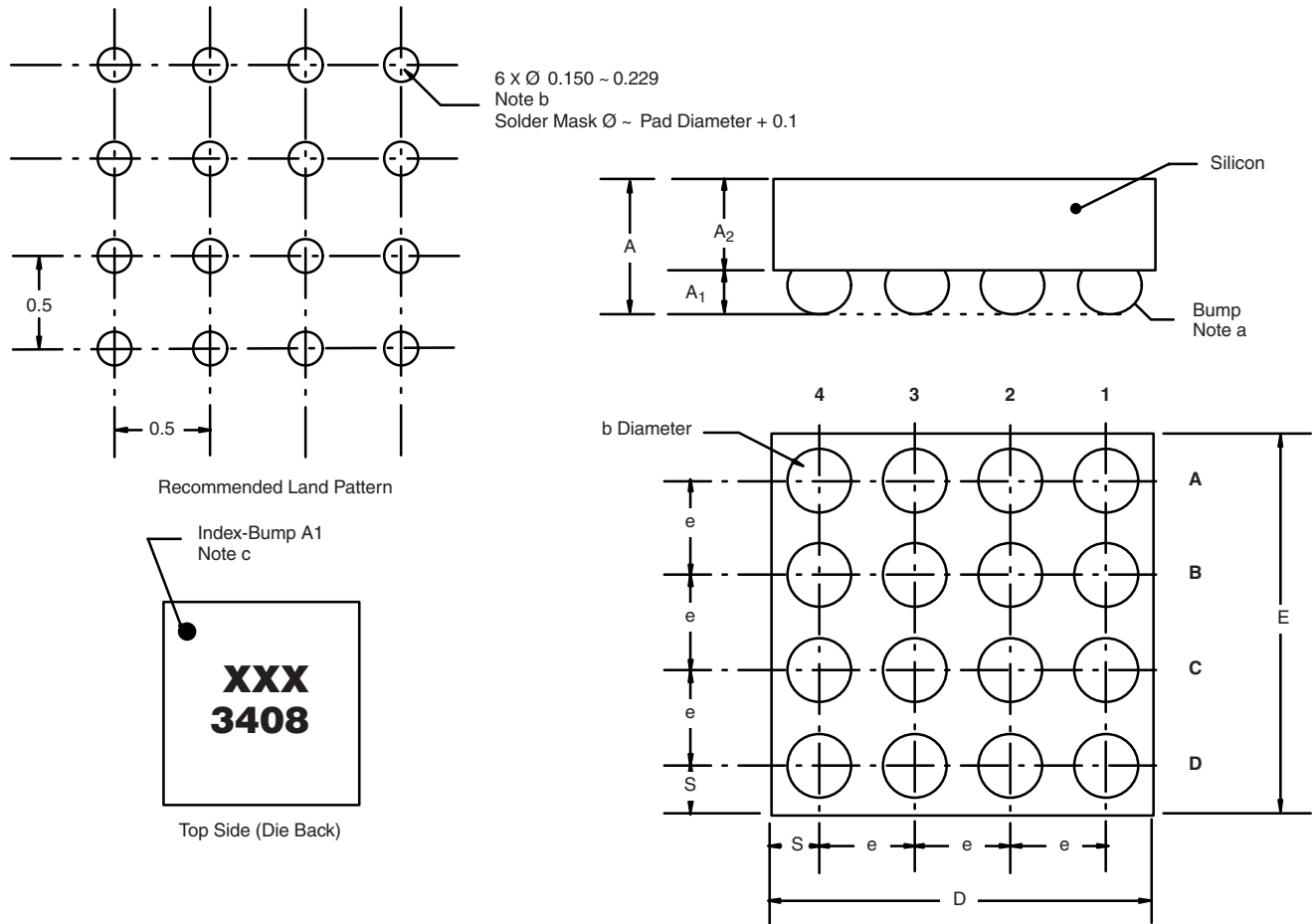


Figure 9. Source Drain Capacitance

PACKAGE OUTLINE
MICRO FOOT: 16-BUMP (4 x 4, 0.5 mm PITCH, 0.238 mm BUMP HEIGHT)


Notes (Unless Otherwise Specified):

- a. Bump is Lead Free Sn/Ag/Cu.
- b. Non-solder mask defined copper landing pad.
- c. Laser Mark on silicon die back; back-lapped, no coating. Shown is not actual marking; sample only.

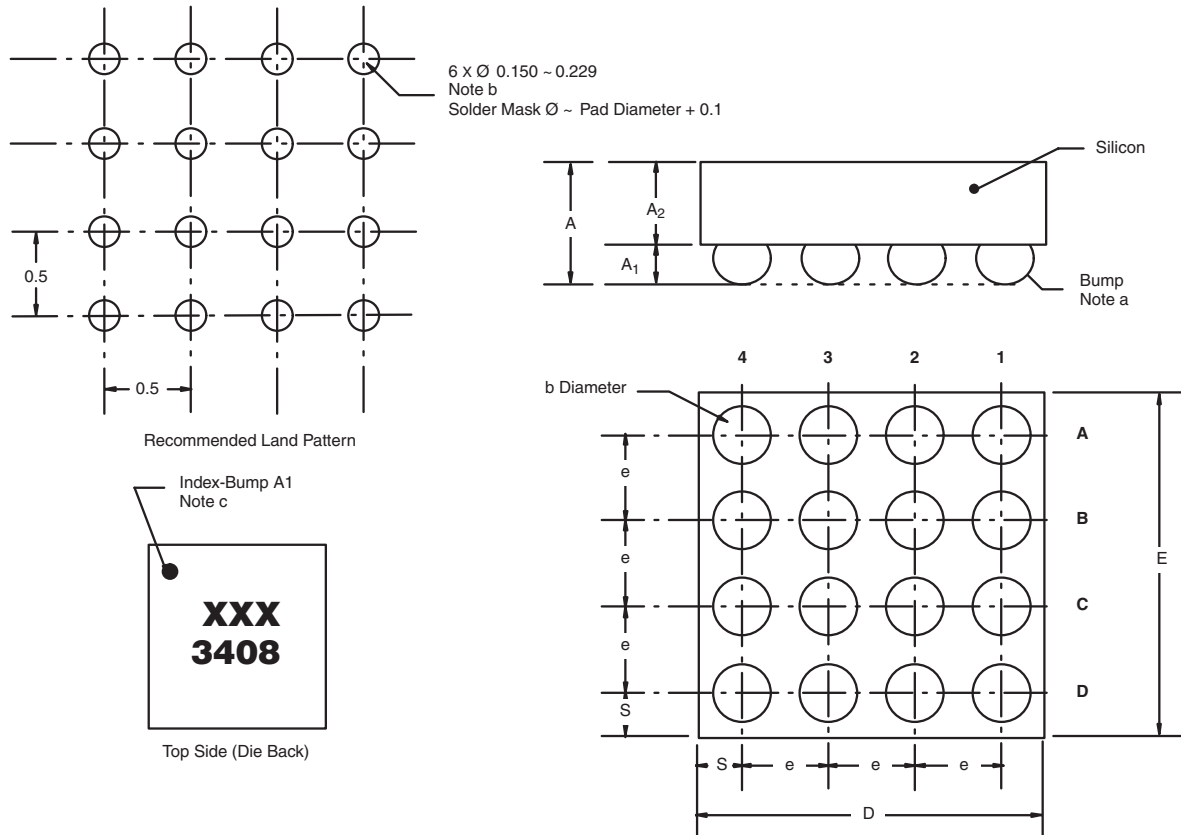
Dim.	Millimeters ^a		Inches	
	Min.	Max.	Min.	Max.
A	0.688	0.753	0.0271	0.0296
A₁	0.218	0.258	0.0086	0.0102
A₂	0.470	0.495	0.0185	0.0195
b	0.306	0.346	0.0120	0.0136
D	1.980	2.020	0.0780	0.0795
E	1.980	2.020	0.0780	0.0795
e	0.5 BASIC		0.0197 BASIC	
S	0.230	0.270	0.0091	0.0106

Notes:

- a. Use millimeters as the primary measurement.

Vishay Siliconix maintains worldwide manufacturing capability. Products may be manufactured at one of several qualified locations. Reliability data for Silicon Technology and Package Reliability represent a composite of all qualified locations. For related documents such as package/tape drawings, part marking, and reliability data, see www.vishay.com/ppg?72858.

MICRO FOOT: 16-BUMP (4 mm x 4 mm, 0.5 mm PITCH, 0.238 mm BUMP HEIGHT)



Notes

(unless otherwise specified)

- a. Bump is lead (Pb)-free Sn/Ag/Cu.
- b. Non-solder mask defined copper landing pad.
- c. Laser mark on silicon die back; back-lapped, no coating. Shown is not actual marking; sample only.

DIM.	MILLIMETERS ^a		INCHES	
	MIN.	MAX.	MIN.	MAX.
A	0.688	0.753	0.0271	0.0296
A ₁	0.218	0.258	0.0086	0.0102
A ₂	0.470	0.495	0.0185	0.0195
b	0.306	0.346	0.0120	0.0136
D	1.980	2.020	0.0780	0.0795
E	1.980	2.020	0.0780	0.0795
e	0.5 BASIC		0.0197 BASIC	
S	0.230	0.270	0.0091	0.0106

Note

- a. Use millimeters as the primary measurement.

ECN: S11-1065-Rev. A, 13-Jun-11
DWG: 6000



Disclaimer

ALL PRODUCT, PRODUCT SPECIFICATIONS AND DATA ARE SUBJECT TO CHANGE WITHOUT NOTICE TO IMPROVE RELIABILITY, FUNCTION OR DESIGN OR OTHERWISE.

Vishay Intertechnology, Inc., its affiliates, agents, and employees, and all persons acting on its or their behalf (collectively, "Vishay"), disclaim any and all liability for any errors, inaccuracies or incompleteness contained in any datasheet or in any other disclosure relating to any product.

Vishay makes no warranty, representation or guarantee regarding the suitability of the products for any particular purpose or the continuing production of any product. To the maximum extent permitted by applicable law, Vishay disclaims (i) any and all liability arising out of the application or use of any product, (ii) any and all liability, including without limitation special, consequential or incidental damages, and (iii) any and all implied warranties, including warranties of fitness for particular purpose, non-infringement and merchantability.

Statements regarding the suitability of products for certain types of applications are based on Vishay's knowledge of typical requirements that are often placed on Vishay products in generic applications. Such statements are not binding statements about the suitability of products for a particular application. It is the customer's responsibility to validate that a particular product with the properties described in the product specification is suitable for use in a particular application. Parameters provided in datasheets and/or specifications may vary in different applications and performance may vary over time. All operating parameters, including typical parameters, must be validated for each customer application by the customer's technical experts. Product specifications do not expand or otherwise modify Vishay's terms and conditions of purchase, including but not limited to the warranty expressed therein.

Except as expressly indicated in writing, Vishay products are not designed for use in medical, life-saving, or life-sustaining applications or for any other application in which the failure of the Vishay product could result in personal injury or death. Customers using or selling Vishay products not expressly indicated for use in such applications do so at their own risk and agree to fully indemnify and hold Vishay and its distributors harmless from and against any and all claims, liabilities, expenses and damages arising or resulting in connection with such use or sale, including attorneys fees, even if such claim alleges that Vishay or its distributor was negligent regarding the design or manufacture of the part. Please contact authorized Vishay personnel to obtain written terms and conditions regarding products designed for such applications.

No license, express or implied, by estoppel or otherwise, to any intellectual property rights is granted by this document or by any conduct of Vishay. Product names and markings noted herein may be trademarks of their respective owners.

Material Category Policy

Vishay Intertechnology, Inc. hereby certifies that all its products that are identified as RoHS-Compliant fulfill the definitions and restrictions defined under Directive 2011/65/EU of The European Parliament and of the Council of June 8, 2011 on the restriction of the use of certain hazardous substances in electrical and electronic equipment (EEE) - recast, unless otherwise specified as non-compliant.

Please note that some Vishay documentation may still make reference to RoHS Directive 2002/95/EC. We confirm that all the products identified as being compliant to Directive 2002/95/EC conform to Directive 2011/65/EU.