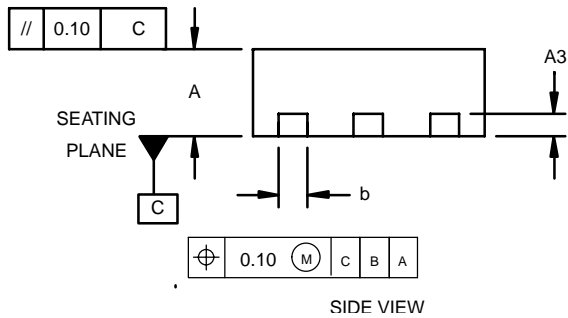
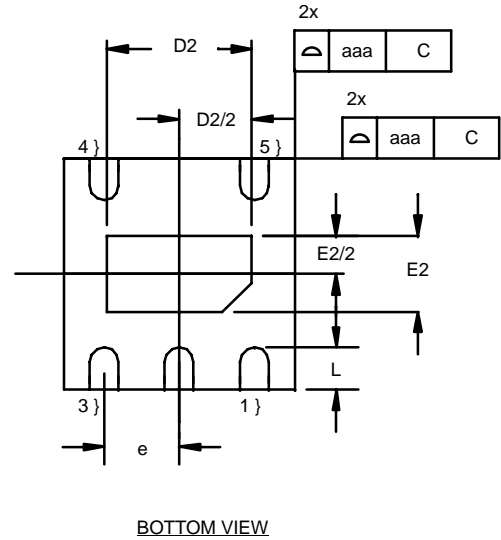
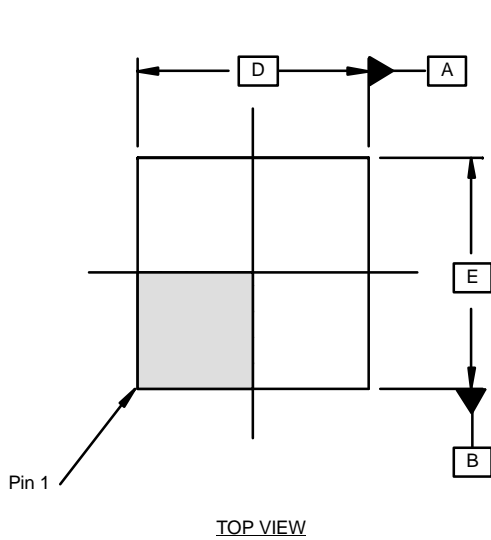




**PowerPAK® MLP22-5 (POWER IC ONLY)**



NOTES:

1. Dimensioning and tolerancing conform to ASME Y14.5M-1994.
2. Controlling dimensions: millimeters converted to inch dimensions are not necessarily exact.
3. Dimension b applies to metallized terminal and is measured between 0.10 mm and 0.25 mm from the terminal tip.
4. Insulation thickness, clearance of overlap are user defined.
5. Insulation not completely shown for reasons of clarity.

**COMMON**

Dim	MILLIMETERS*			INCHES		
	Min	Nom	Max	Min	Nom	Max
A	0.70	0.75	0.80	0.027	0.029	0.031
A3	0.20 BSC			0.008 BSC		
b	0.18	0.25	0.30	0.007	0.010	0.012
D	2.00 BSC			0.078 BSC		
D2	1.15	1.20	1.25	0.045	0.047	0.049
E	2.00 BSC			0.078 BSC		
E2	0.55	0.60	0.021	0.021	0.023	0.025
e	0.65 BSC			0.025 BSC		
L	0.30	0.35	0.40	0.012	0.014	0.016

\* Use millimeters as the primary measurement.

ECN: S-42146—Rev. A, 22-Nov-04  
DWG: 5942