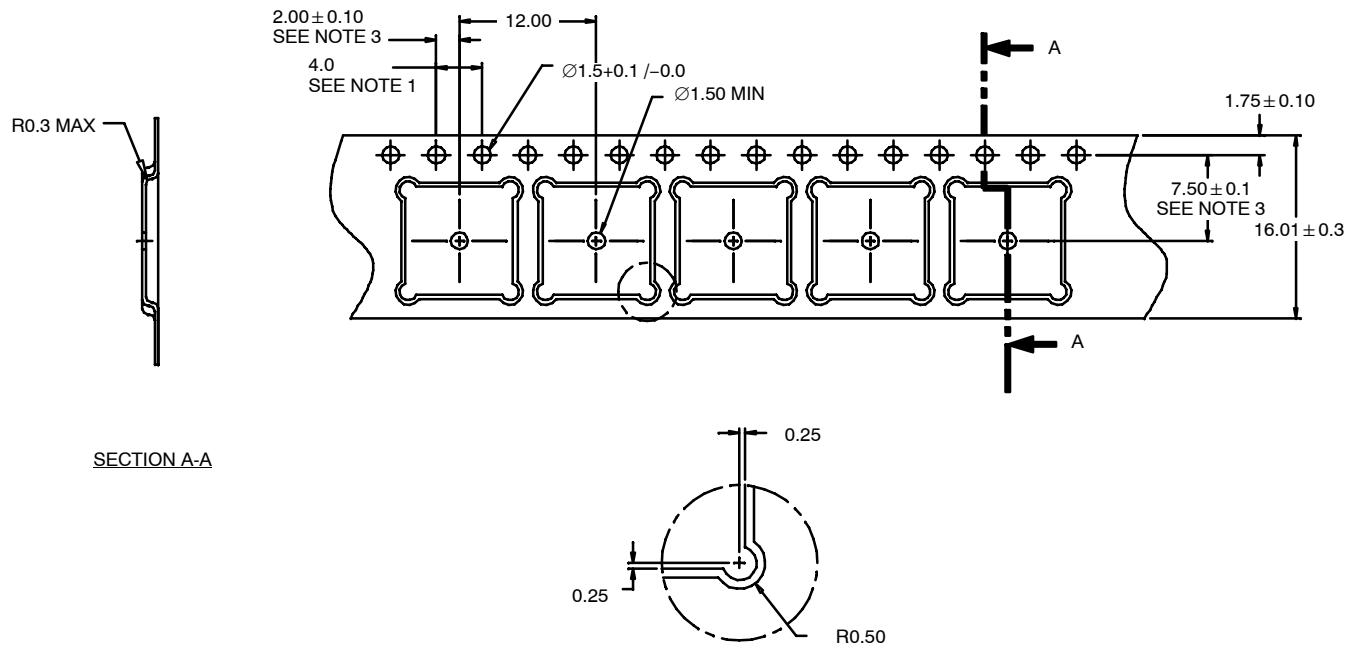


PowerPAK® MLF 9 × 9



SECTION A-A

NOTES:

1. 10 sprocket hole pitch cumulative tolerance ± 0.2 .
2. Camber not to exceed 1 mm in 100 mm.
3. Material: Static Dissipative Black Advantek Polystyrene.
4. Pocket position relative to sprocket hole measured as true position of pocket, not pocket hole.
5. All sizes in mm unless specified.
6. Tolerance: 0.X ± 0.2 ; 0.XX ± 0.1

QUANTITY PER REEL	
T1	3000
ECN S-50835—Rev. B, 16-May-05 DWG: 93-5245-x	