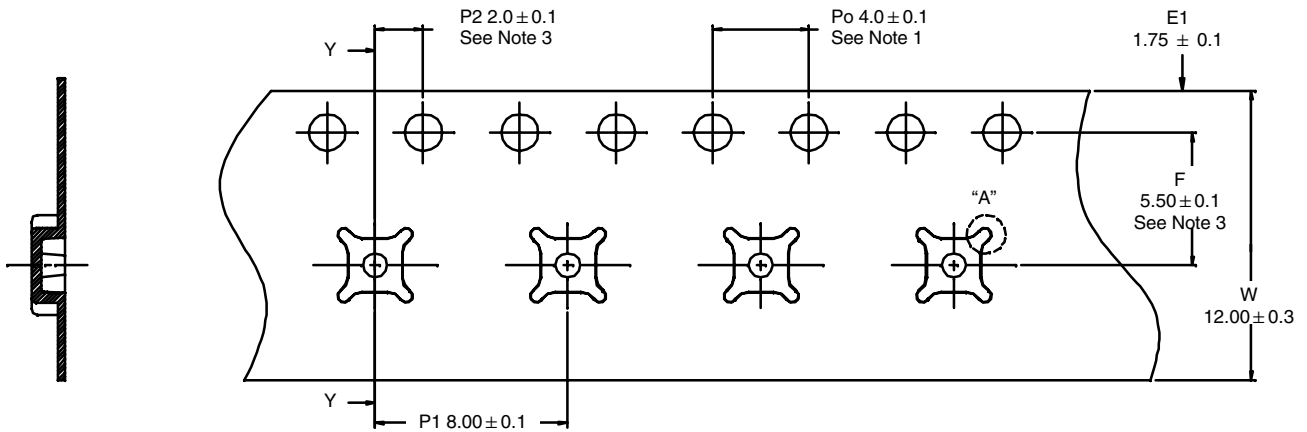
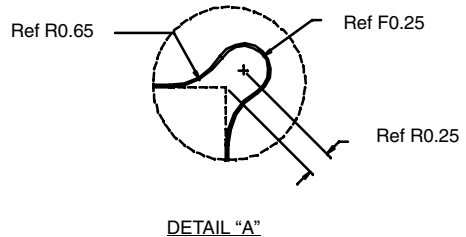


**PowerPAK MLP22-5 LEADS**



SECTION Y-Y



NOTES:

1. 10 sprocket hole pitch cumulative tolerance  $\pm 0.2$ .
2. Camber in compliance with EIA 481.
3. Pocket position relative to sprocket hole measured as true position of pocket, not pocket hole.
4. Material: Black conductive or black static dissipative.
5. Tolerances will be  $\pm 0.1$  mm unless specified.
6. All measurements in mm unless specified.

QUANTITY PER REEL	
T1	3000
ECN: S-52429—Rev. B, 02-Jan-06 DWG: 93-5247-x	