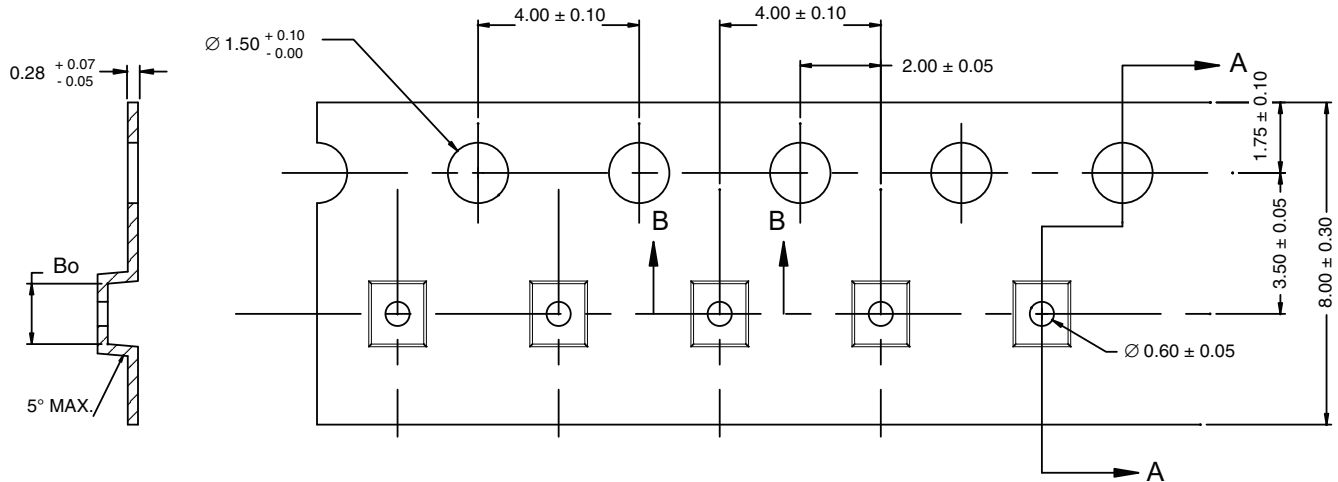
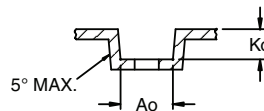


## MINIQFN-6L CARRIER TAPE



### SECTION A-A

$Ao = 1.30 \pm 0.10$
$Bo = 1.50 \pm 0.10$
$Ko = 0.75 \pm 0.10$



### SECTION B-B

SILICONIX PROPRIETARY DRAWING  
 ANY DISCLOSURE AND DISTRIBUTION OF  
 THIS DRAWING IS STRICTLY PROHIBITED

### Notes

1. 10 sprocket hole pitch cumulative tolerance  $\pm 0.2$ .
2. Camber not to exceed 1 mm in 100 mm, also not to exceed 1.5 cm in 1 m actually.
3. Material: Black conductive poly carbonate.
4. Pocket position relative to sprocket hole measured as true position of pocket, not pocket hole.
5. All sizes in mm unless specified.
6. Use 7" lok reel with 8.4 mm width (see 93-5211-3).
7. Use seal tape with 5.4 mm width. (see 93-5210-3).
6. Vishay part number must be labeled at all reels of cover and carrier tape.
7. Surface resistivity -  $10^5$  max.  $\Omega/\text{sq}$ .

ECN C10-0948-Rev. B, 11-Oct-10  
 DWG: 93-5255-X