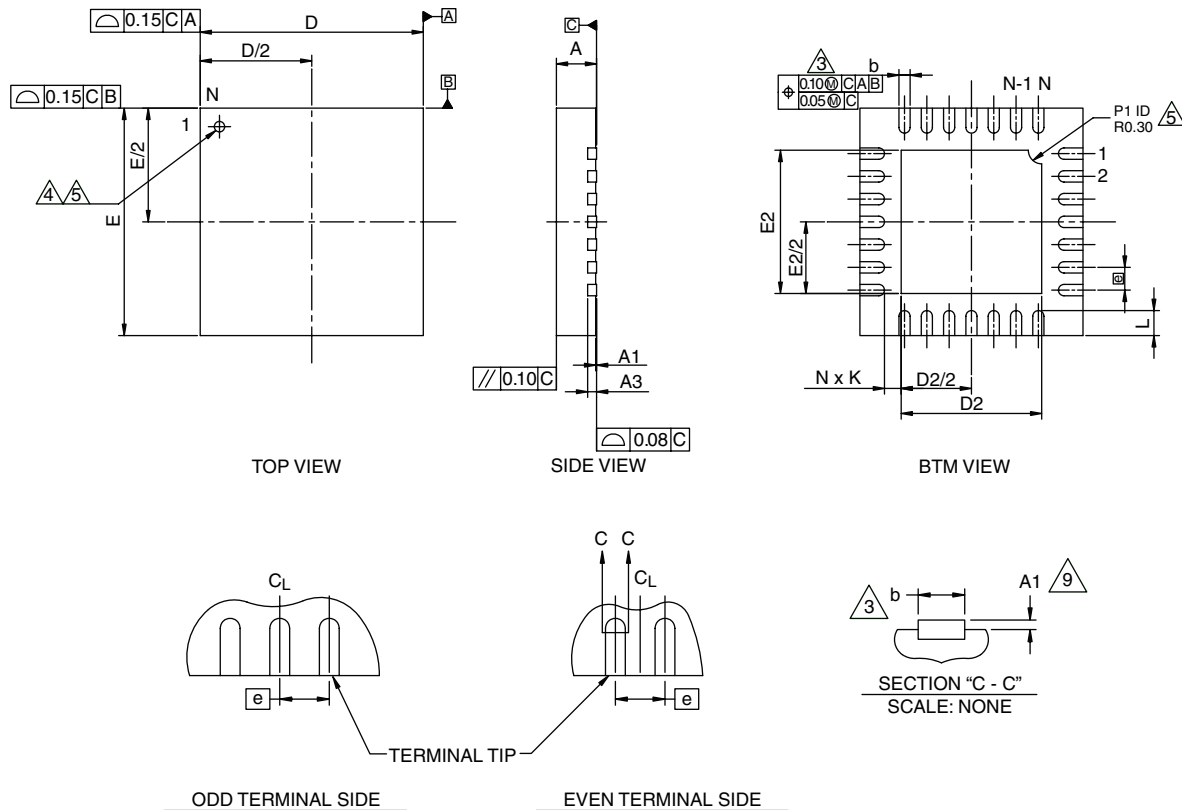


PowerPAK® MLP55-28L CASE OUTLINE



DIM	MILLIMETERS			INCHES		
	Min	Nom	Max	Min	Nom	Max
A	0.80	0.90	1.00	0.031	0.035	0.039
A1	0.00	0.02	0.05	0.00	0.0007	0.002
b	0.18	0.25	0.30	0.007	0.009	0.011
A3	0.20 ref			0.007 ref		
D	5.0 BSC			0.196 BSC		
D2	3.00	3.15	3.25	0.118	0.122	0.127
E	5.0 BSC			0.196 BSC		
E2	3.00	3.15	3.25	0.118	0.122	0.127
e	0.5 BSC			0.196 BSC		
K	0.20	-	-	0.007	-	-
L	0.45	0.55	0.65	0.017	0.021	0.025
N	28			28		
Nd	7			7		
Ne	7			7		

ECN: T-07459 - Rev. A, 13-Aug-07
DWG: 5960

Notes:

1. Dimensioning and tolerancing conform to ASME Y14.5M-1994.
2. N is the total number of terminals. Pad from measuring, Nd is the number of terminals in the X- direction and Ne is the number of terminals in the Y-direction.
3. Dimension b applies to plated terminal and is measured between 0.20 mm and 0.25 mm from the terminal tip.
4. The pin #1 identifier must exist on the top surface of the package. The identifier may be an indentation mark or other feature of the package body.
5. Exact shape and size of this feature is optional.
6. Millimeters will govern.
7. Package warpage maximum is 0.10 mm.
8. Applied for exposed pad and terminals exclude embedding part of exposed.
9. Applied only for terminals.