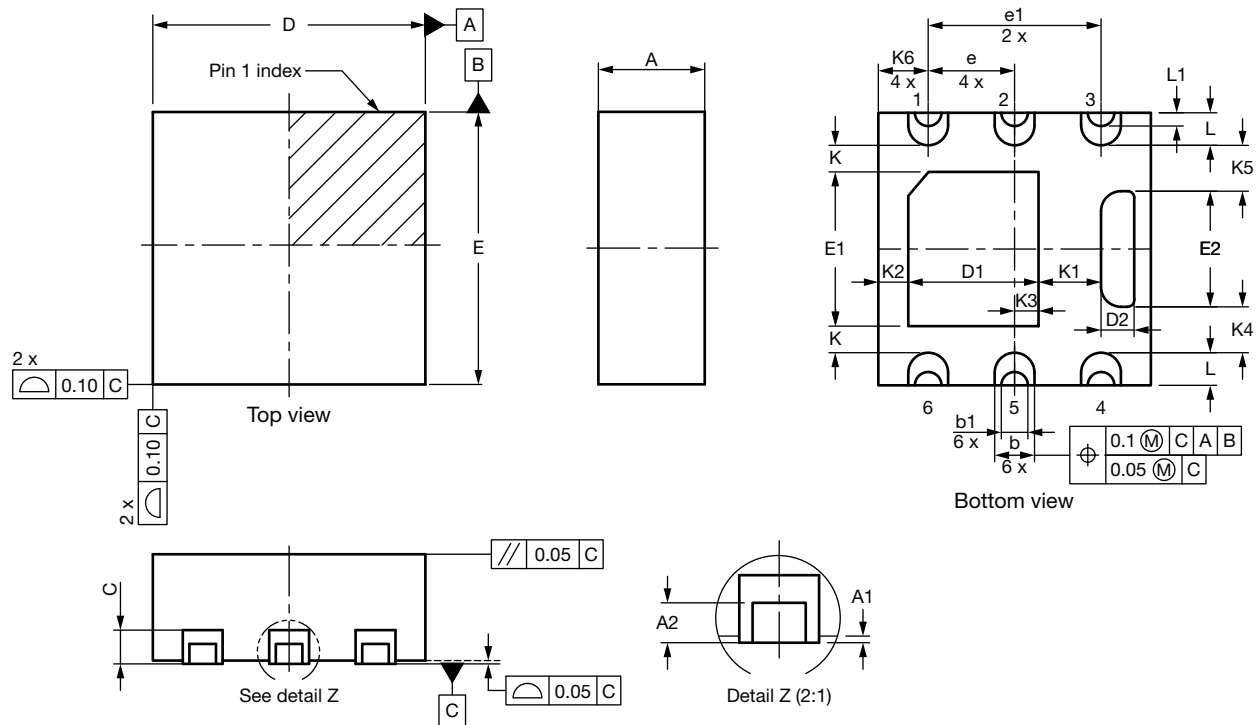


### PowerPAK® SC70W-6L SIDEWETTABLE



| DIM. | MILLIMETERS |      |      | INCHES     |       |       |
|------|-------------|------|------|------------|-------|-------|
|      | MIN.        | NOM. | MAX. | MIN.       | NOM.  | MAX.  |
| A    | 0.70        | 0.80 | 0.90 | 0.027      | 0.031 | 0.035 |
| A1   | 0.00        | 0.02 | 0.05 | 0.000      | 0.001 | 0.002 |
| A2   | 0.10        | -    | -    | 0.004      | -     | -     |
| b    | 0.25        | 0.30 | 0.35 | 0.010      | 0.012 | 0.014 |
| b1   | 0.15        | 0.20 | 0.23 | 0.006      | 0.008 | 0.009 |
| C    | 0.20        | 0.25 | 0.30 | 0.008      | 0.010 | 0.012 |
| D    | 1.95        | 2.05 | 2.15 | 0.077      | 0.081 | 0.085 |
| D1   | 0.88        | 0.98 | 1.08 | 0.035      | 0.039 | 0.043 |
| D2   | 0.20        | 0.25 | 0.30 | 0.008      | 0.010 | 0.012 |
| E    | 1.95        | 2.05 | 2.15 | 0.077      | 0.081 | 0.085 |
| E1   | 1.06        | 1.16 | 1.26 | 0.042      | 0.046 | 0.050 |
| E2   | 0.82        | 0.87 | 0.92 | 0.032      | 0.034 | 0.036 |
| e    | 0.65 BSC    |      |      | 0.026 BSC  |       |       |
| e1   | 1.30 BSC    |      |      | 0.051 BSC  |       |       |
| K    | 0.20 typ.   |      |      | 0.008 typ. |       |       |
| K1   | 0.47 typ.   |      |      | 0.019 typ. |       |       |
| K2   | 0.23 typ.   |      |      | 0.009 typ. |       |       |
| K3   | 0.18 typ.   |      |      | 0.007 typ. |       |       |
| K4   | 0.35 typ.   |      |      | 0.014 typ. |       |       |
| K5   | 0.35 typ.   |      |      | 0.014 typ. |       |       |
| K6   | 0.38 typ.   |      |      | 0.015 typ. |       |       |
| L    | 0.15        | 0.25 | 0.35 | 0.006      | 0.010 | 0.014 |
| L1   | -           | 0.10 | -    | -          | 0.004 | -     |

ECN: C19-1644-Rev. A, 10-Jan-2020  
DWG: 6076

#### Notes

- Package outline exclusive of mold flash and metal burr
- Package outline inclusive of plating