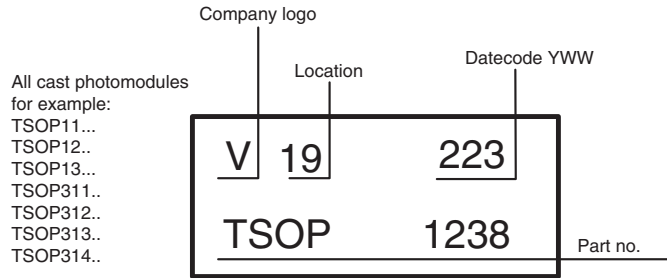
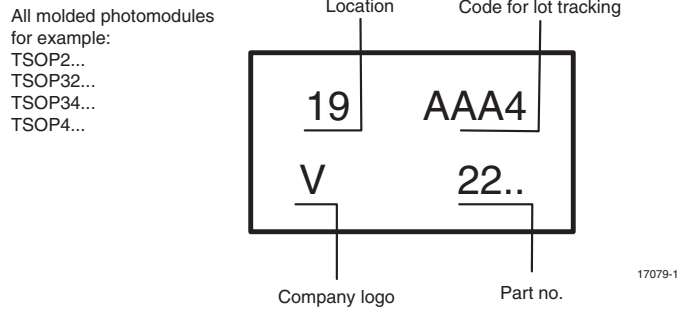


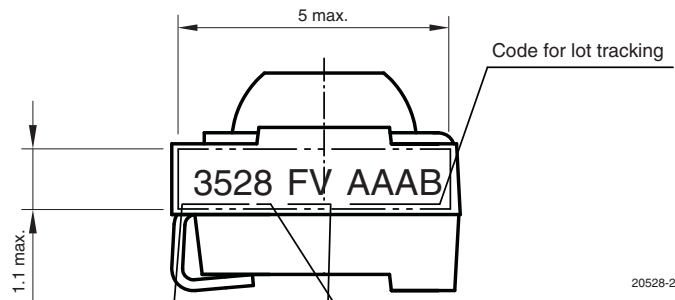
## Marking on IR Receiver Modules



17078



17079-1

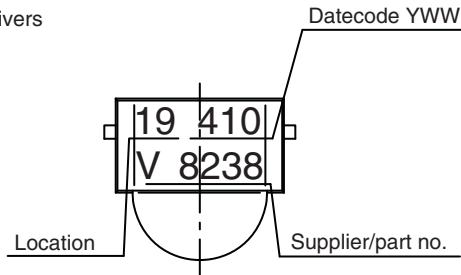


20528-2

Marking	Type	Narrow filter mold compound		2V	Marking code no.	Frequency yy in type
5x	TSOP5xyy <sup>(1)</sup>				0	30 kHz
6x	TSOP6xyy				3	33 kHz
L61	TSOP61yyL				6	36 kHz
35x	TSOP35xyy				7	37 kHz
35x	TSOP35xyy F	F			8	38 kHz
35x	TSOP35xyy FV	F	V		1	40 kHz
36x	TSOP36xyy				2	56 kHz
35D	TSOP35Dyy				5	25 kHz
5P	TSOP5Pyy					
503	TSOP50yy					

<sup>(1)</sup> except TSOP50yy series

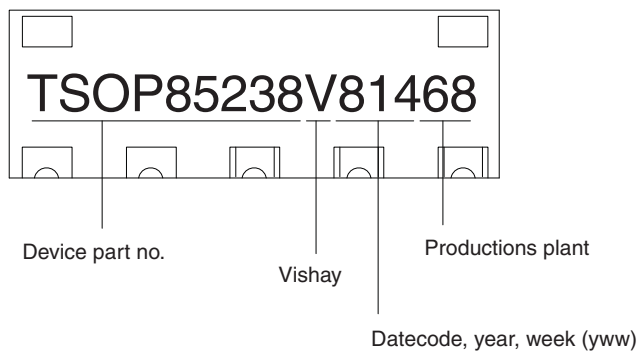
All minicast IR receivers  
for example:  
TSOP382..  
TSOP39..  
TSOP582..  
TSOP59...



20529

Supplier/part no. (Frequency)	Type
V 82..	TSOP82..
V 92..	TSOP92..
V 382..	TSOP382..
V 392..	TSOP392..
V 582..	TSOP582..
V 592..	TSOP592..
V 384..	TSOP384..
V 584..	TSOP584..
V 383..	TSOP383..
V 393..	TSOP393..

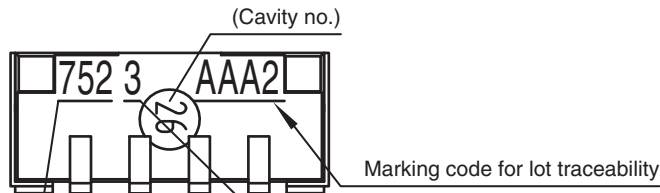
All bug-eye photomodules  
for example:  
TSOP851..  
TSOP852..  
TSOP853..  
TSOP854..



Marking sample only  
laser marked

21484

All heimdall IR receivers  
for example:  
TSOP75...



	Type		Frequency yy
751	TSOP 751yy	0	30 kHz
752	TSOP 752yy	3	33 kHz
753	TSOP 753yy	6	36 kHz
53V	TSOP 753yyV	8	38 kHz
754	TSOP 754yy	1	40 kHz
755	TSOP 755yy	2	56 kHz
75D	TSOP 75Dyy	5	25 kHz
		4	44 kHz
771	TSOP 771yy	9	21 kHz
772	TSOP 772yy	7	69 kHz
773	TSOP 773yy		
774	TSOP 774yy		
779	TSOP 779yy		

Letters complete and readable

Laser marking

Above marking pictures to be considered for examples

22540