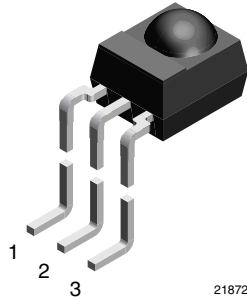


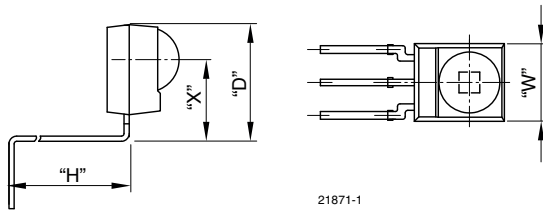
# IR Receiver Modules for Remote Control Systems



21872

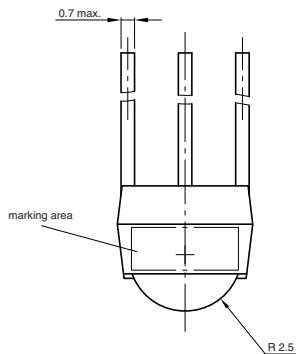
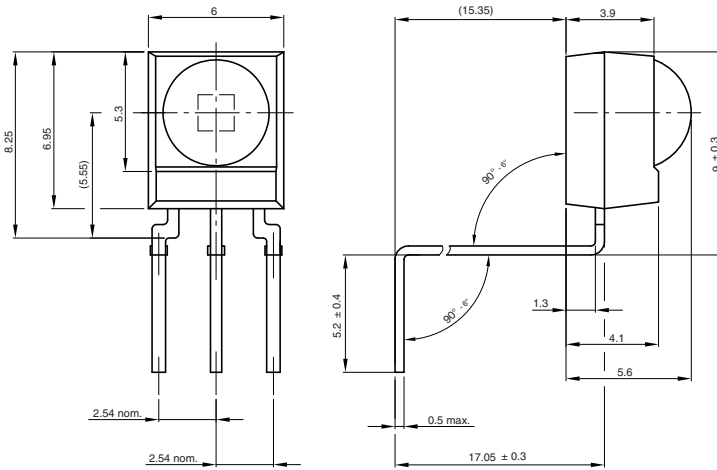
**AVAILABLE FOR:**

- TSOP34...
- TSOP4....
- TSOP32...
- TSOP2....

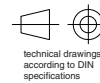


21871-1

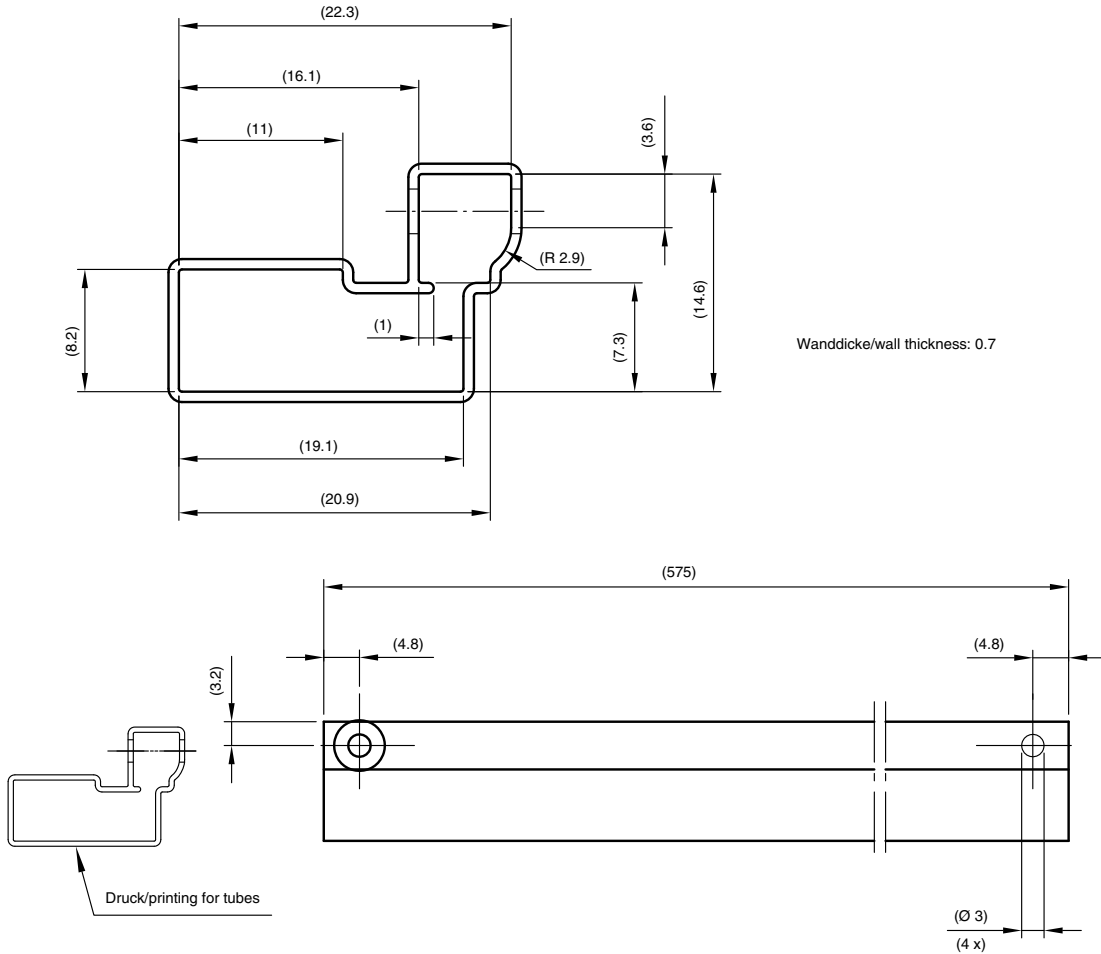
NAME	LENS AXIS (X)	VIEW	TYPE	HEIGHT (H)	WIDTH (W)	DEPTH (D)
DE1	6.3	Side	Bent	17.05	6	9

**MECHANICAL DIMENSIONS** in millimeters


Not indicated tolerances ± 0.2

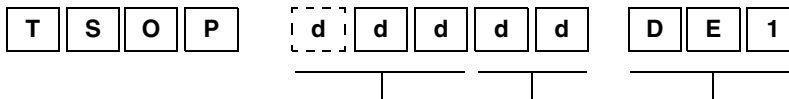

 Drawing-No.: 6.550-5304.01-4  
 Issue: 1; 24.08.09  
 21870

**PACKAGING DIMENSIONS** in millimeters



Drawing-no.: 9.700-5344.0-4  
 Issue: 1; 14.09.09  
 21869

**ORDERING INFORMATION**



2 or 3 digit product series    2 digit frequency    Holder type

**Note**

d = "digit", please consult the list of available series on the previous page to create a valid part number.

**Example: TSOP14838DE1**

**PACKING QUANTITY**

- 90 pieces per tube
- 30 tubes per carton