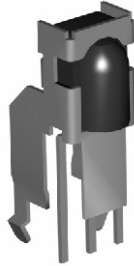
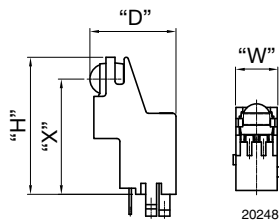


# IR Receiver Modules for Remote Control Systems



19441



20248

**FEATURES**

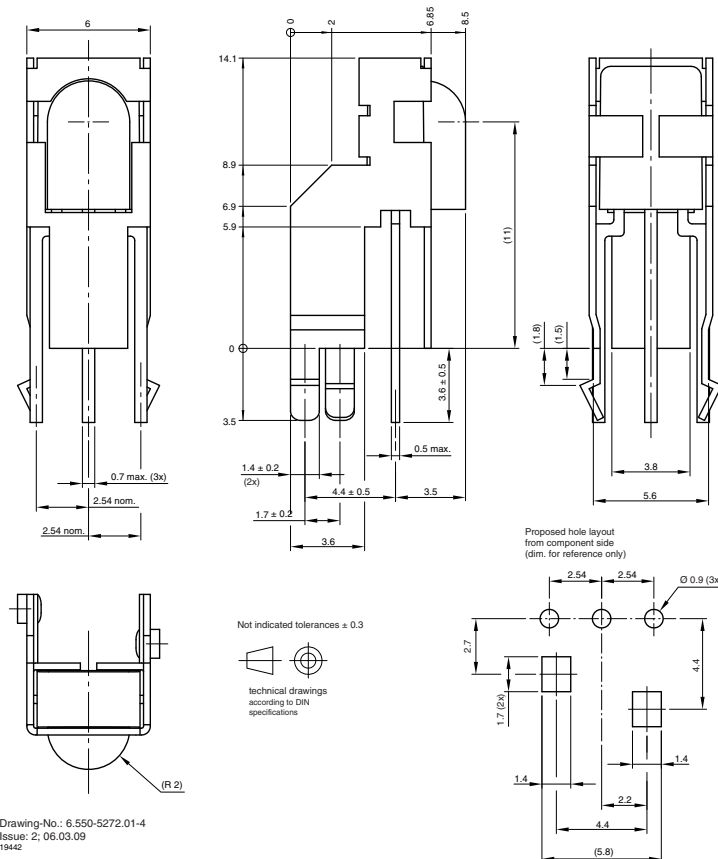
- Compliant to RoHS Directive 2002/95/EC and in accordance to WEEE 2002/96/EC


**RoHS**  
 COMPLIANT  
**GREEN**  
 [5-2008]\*\*

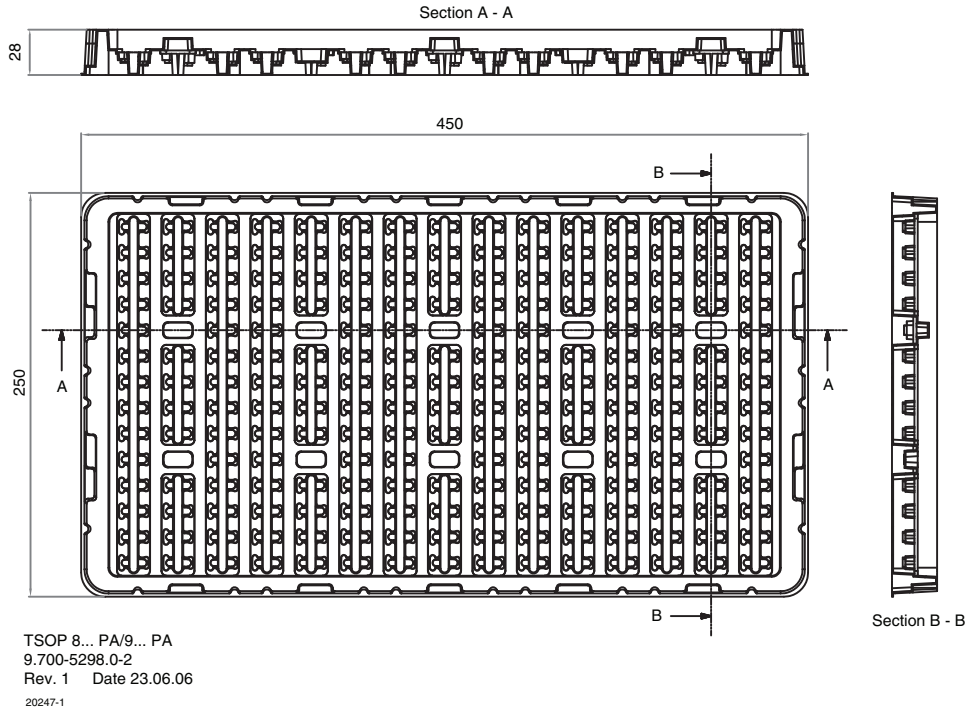
**AVAILABLE FOR:**

- TSOP58...
- TSOP59...
- TSOP38...
- TSOP39...
- TSOP98...

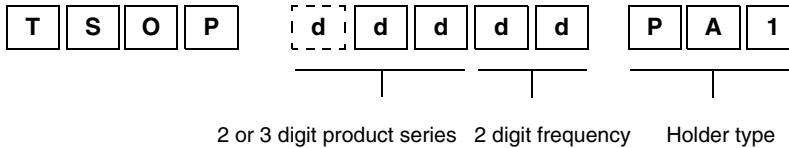
NAME	LENS AXIS (X)	VIEW	TYPE	HEIGHT (H)	WIDTH (W)	DEPTH (D)
PA1	11	Side	Holder	14.1	6	8.5

**MECHANICAL DIMENSIONS** in millimeters

 \*\* Please see document "Vishay Material Category Policy": [www.vishay.com/doc?99902](http://www.vishay.com/doc?99902)

**PACKAGING DIMENSIONS** in millimeters



**ORDERING INFORMATION**



**Note**

d = "digit", please consult the list of available series on the previous page to create a valid part number.

**Example: TSOP58238PA1**

**PACKING QUANTITY**

- 200 pieces per tray
- 5 trays per carton