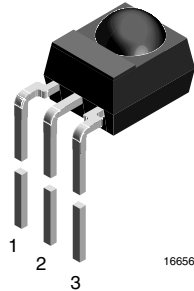
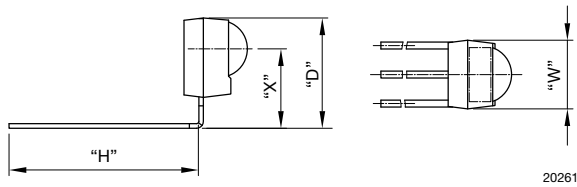


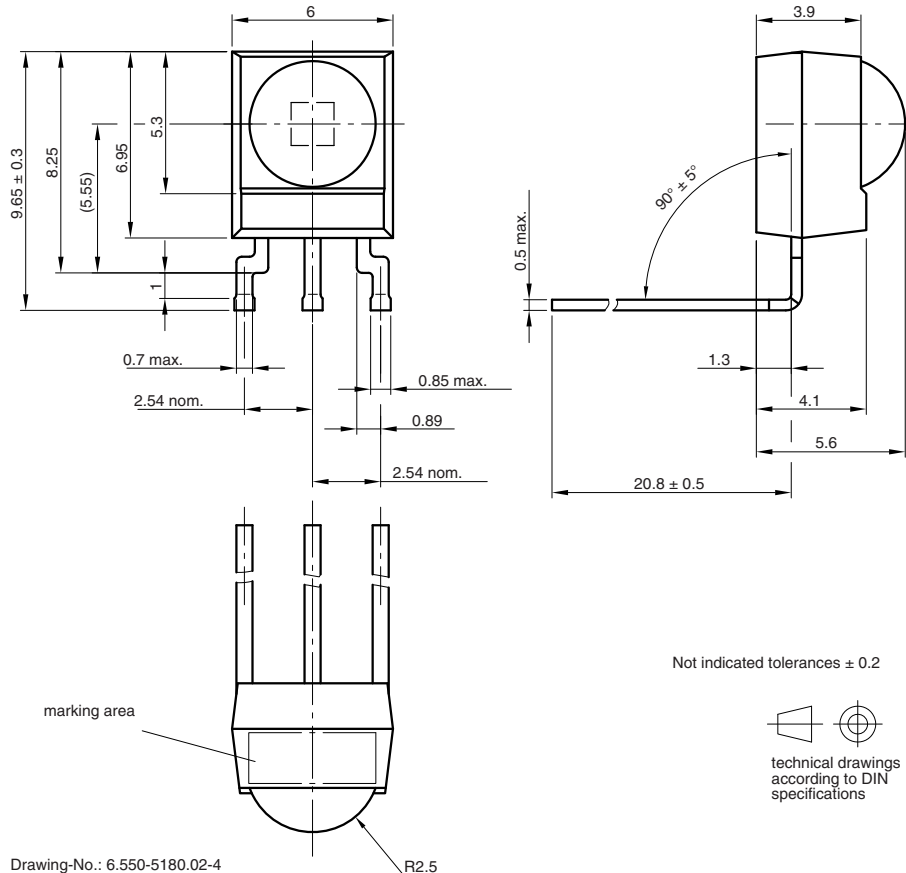
IR Receiver Modules for Remote Control Systems


AVAILABLE FOR:

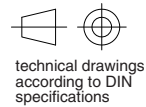
- TSOP34...
- TSOP4....
- TSOP32...
- TSOP2....



NAME	LENS AXIS (X)	VIEW	TYPE	HEIGHT (H)	WIDTH (W)	DEPTH (D)
SB1	6.95		Bend	20.8	6	9.65

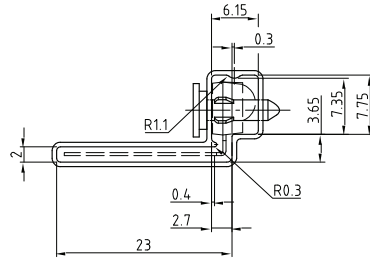
MECHANICAL DIMENSIONS in millimeters


Not indicated tolerances ± 0.2

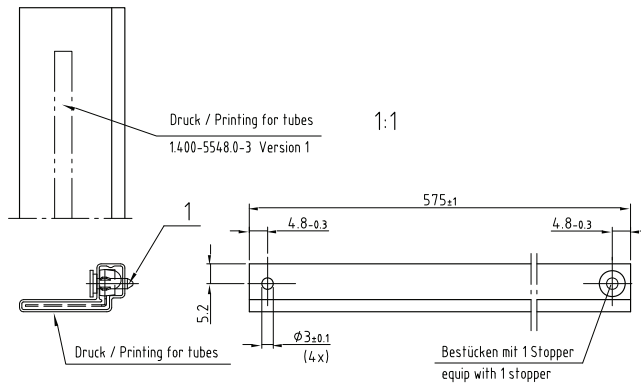

 technical drawings
according to DIN
specifications

 Drawing-No.: 6.550-5180.02-4
Issue: 6; 14.05.09
16045

PACKAGING DIMENSIONS in millimeters

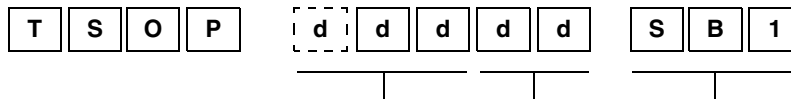


Wanddicke/wall thickness: 0.6 ^{+0.2}/_{-0.1}
 Geradheit/Straightness 2
 Schnittwinkel/cut 90° ±5°
 Innenradien/inner radii max 0.5
 Geprüft nach/approved to: LV 5145



Drawing-No.: 9.700-5206.0-4
 Rev. 13; Date: 09.06.06
 20251

ORDERING INFORMATION



2 or 3 digit product series 2 digit frequency Holder type

Note

d = "digit", please consult the list of available series on the previous page to create a valid part number.

Example: TSOP14838SB1

PACKING QUANTITY

- 90 pieces per tube
- 30 tubes per carton