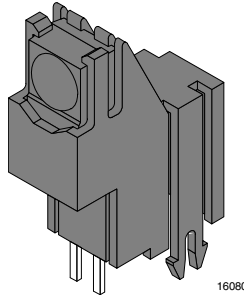


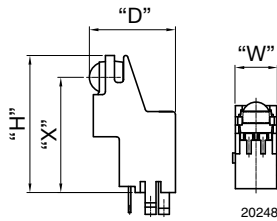
## Side View Holder: D = 15.7 mm, H = 21.9 mm, W = 7.45 mm, X = 18.3 mm


**FEATURES**

- Material categorization: for definitions of compliance please see [www.vishay.com/doc?99912](http://www.vishay.com/doc?99912)

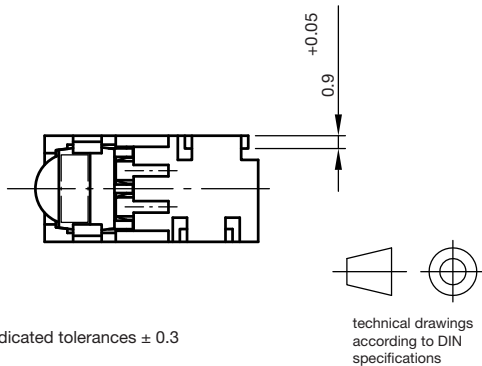
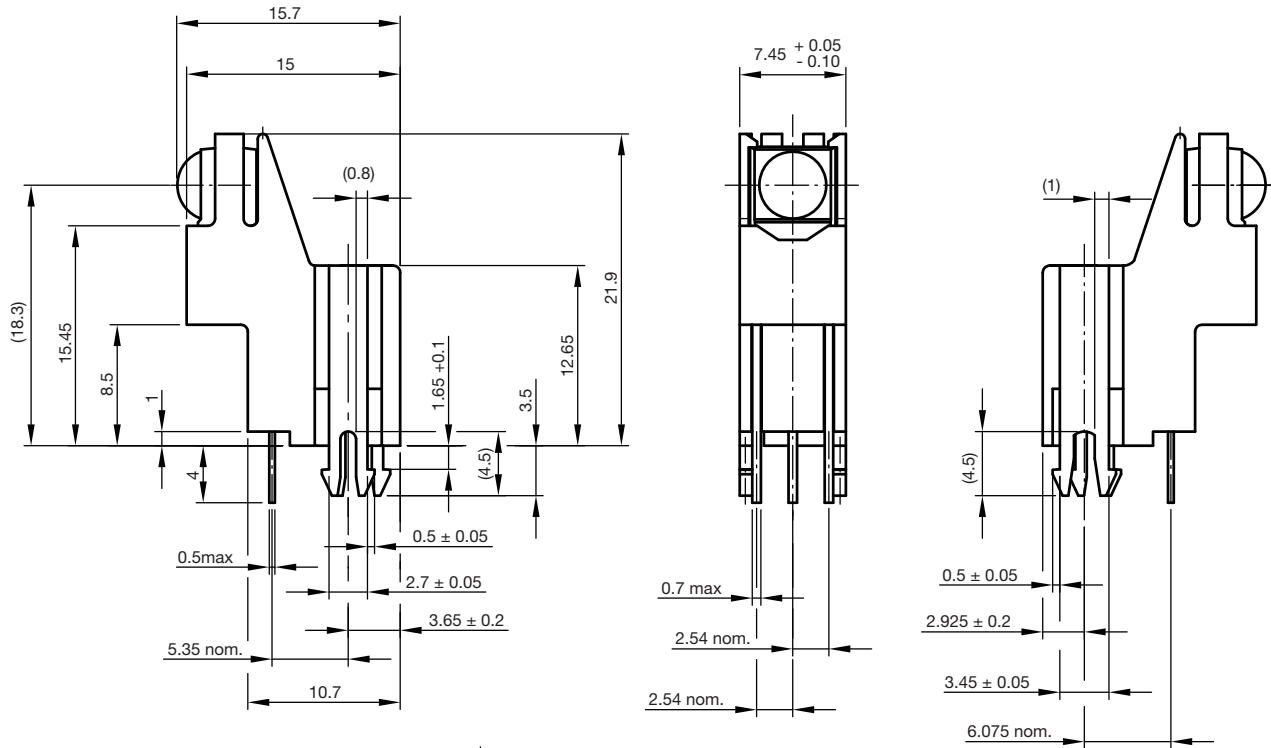

**AVAILABLE FOR**

- Mold


**LINKS TO ADDITIONAL RESOURCES**


NAME	LENS AXIS (X)	VIEW	TYPE	HEIGHT (H)	WIDTH (W)	DEPTH (D)
TE1	18.3	Side	Holder	21.9	7.45	15.7

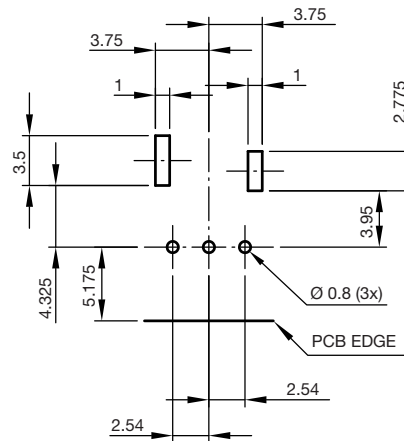
**MECHANICAL DIMENSIONS** in millimeters



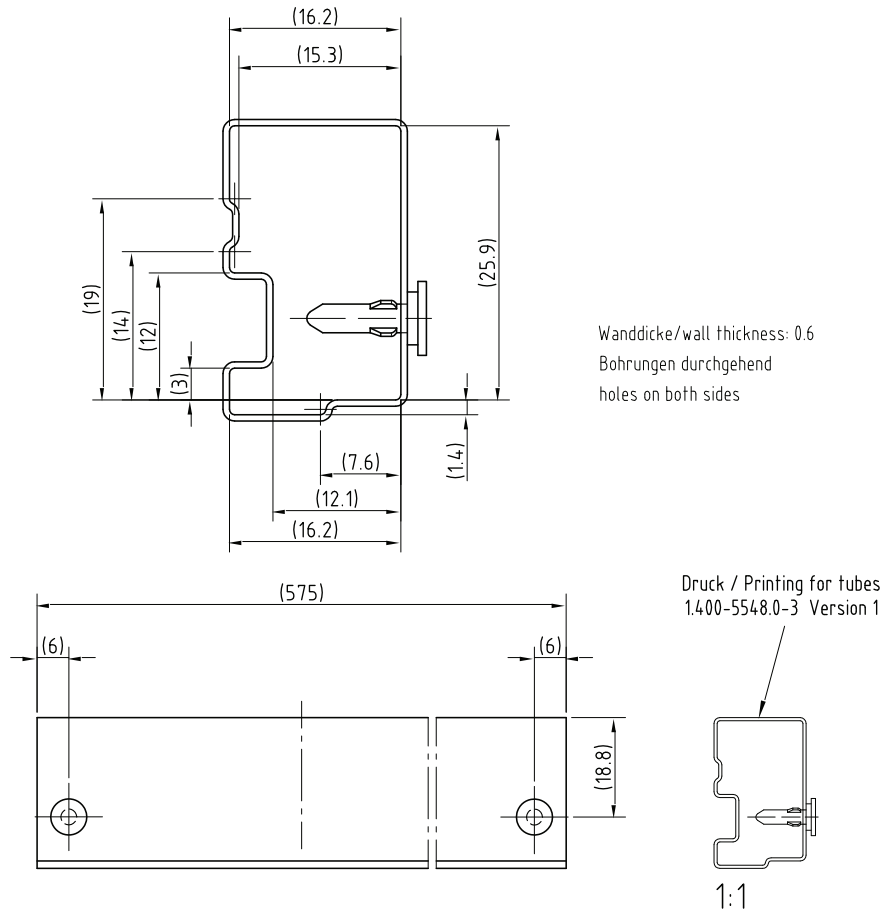
Not indicated tolerances ± 0.3

Drawing-No.: 6.550-5189.01-4  
 Issue: 4; 15.03.10  
 15837

Proposed hole layout  
 from component side  
 Tolerances + 0.05



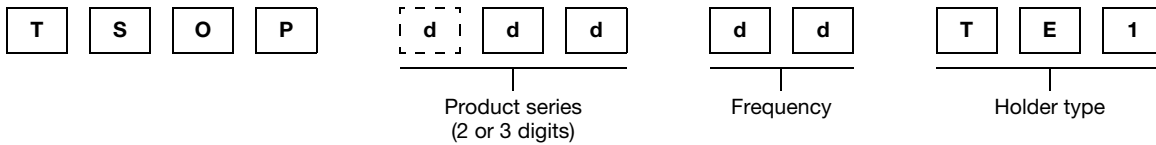
**PACKAGING DIMENSIONS** in millimeters



Drawing-No.: 9.700-5215.0-4  
Rev. 5; Date: 20.11.03

20264-1

**ORDERING INFORMATION**



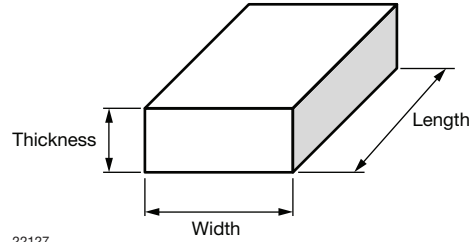
**Note**

- d = "digit", please consult the list of available series on the previous page to create a valid part number

**Example: TSOP14238TE1**

**PACKING QUANTITY**

- 74 pieces per tube
- 18 tubes per carton

**OUTER PACKAGING**
**CARTON BOX DIMENSIONS** in millimeters


KINDS OF CARTON BOX	THICKNESS	WIDTH	LENGTH
Packaging plastic tubes (normal / auxiliary devices)	80	150	600
Packaging plastic trays (devices with metal holders)	120	290	490
Tape and reel box (taping in reels)	400	310	410
Ammo-box (zigzag taping)	50	130	350

Vishay offers plastic and metal holder which have different characteristics:

- *Plastic Pros: nearly invisible behind the bezel*
- *Plastic Cons: cannot be reflow soldered, wave soldering deforms the hooks (visual issue only, the part is secured by the leads after soldering)*
- *Metal Pros: may be reflow and wave soldered, improves EMI and RF rejection*
- *Metal Cons: appears shiny behind the bezel, will oxidize over time (visual issue only, the holder functionality is not impaired)*