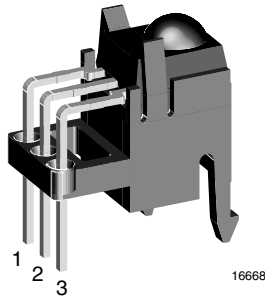


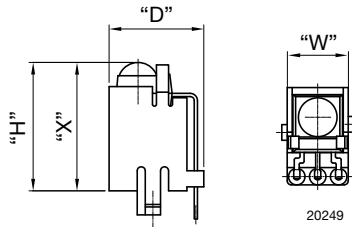
## Top View Holder: D = 14 mm, H = 12 mm, W = 7.4 mm, X = 12 mm


**FEATURES**

- Material categorization:  
for definitions of compliance please see  
[www.vishay.com/doc?99912](http://www.vishay.com/doc?99912)

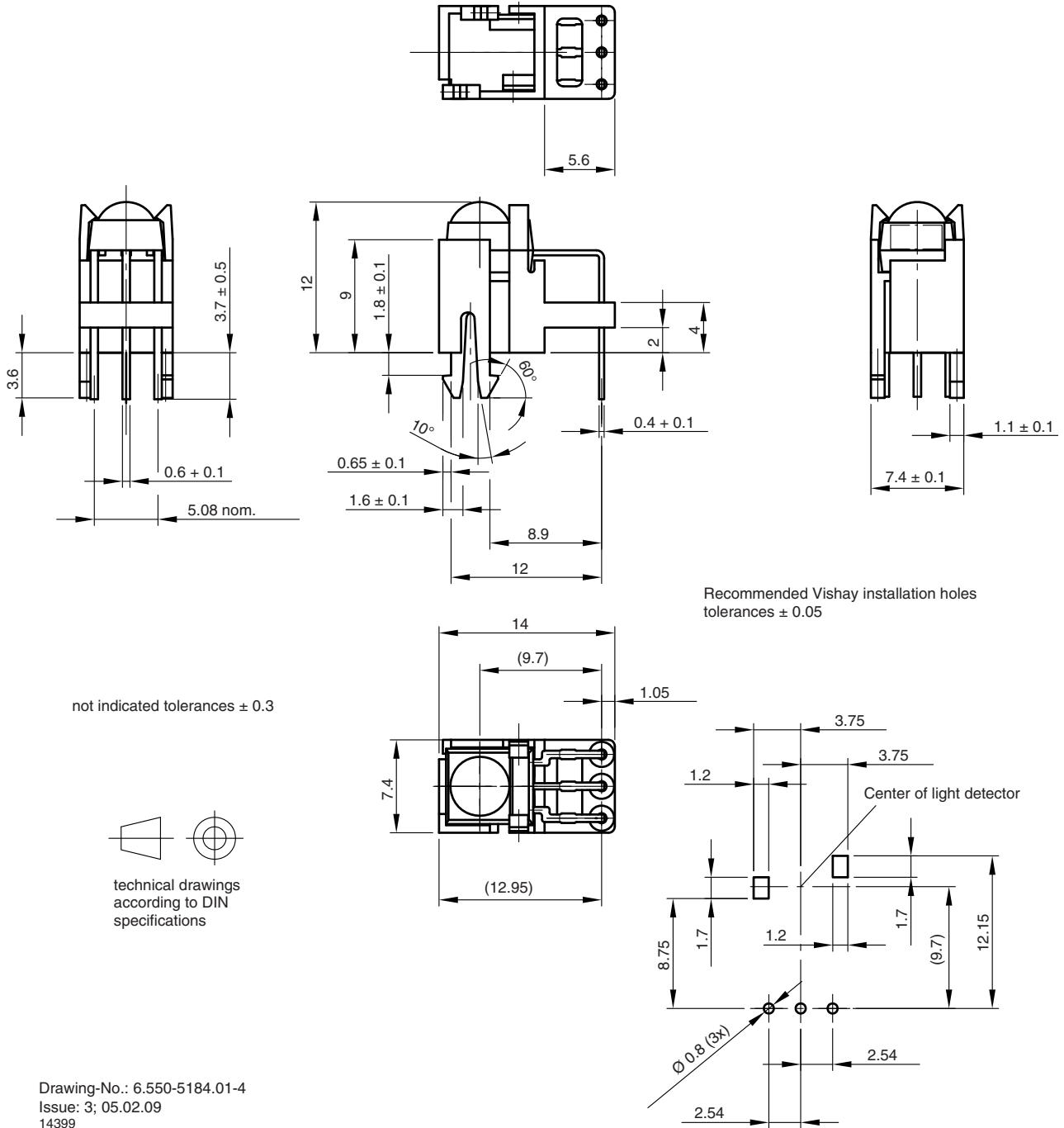

**AVAILABLE FOR**

- Mold

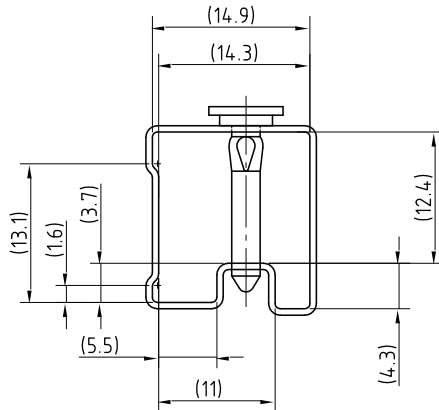

**LINKS TO ADDITIONAL RESOURCES**


NAME	LENS AXIS (X)	VIEW	TYPE	HEIGHT (H)	WIDTH (W)	DEPTH (D)
YA1	12	Top	Holder	12	7.4	14

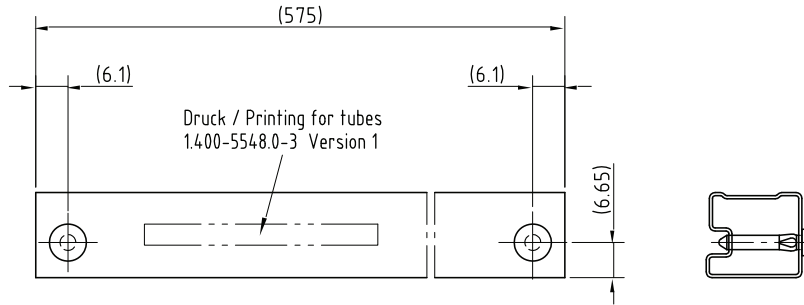
**MECHANICAL DIMENSIONS** in millimeters



**PACKAGING DIMENSIONS** in millimeters



Wanddicke/wall thickness: 0.6  
Bohrungen durchgehend  
holes on both sides

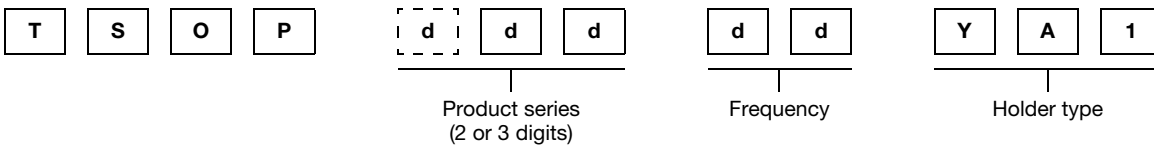


1:1

Drawing-No.: 9.700-5214.0-4  
Rev. 8; Date: 21.04.06

20263-1

**ORDERING INFORMATION**



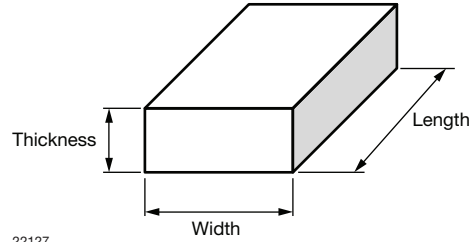
**Note**

- d = "digit", please consult the list of available series on the previous page to create a valid part number

**Example: TSOP14238YA1**

**PACKING QUANTITY**

- 75 pieces per tube
- 27 tubes per carton

**OUTER PACKAGING**
**CARTON BOX DIMENSIONS** in millimeters


KINDS OF CARTON BOX	THICKNESS	WIDTH	LENGTH
Packaging plastic tubes (normal / auxiliary devices)	80	150	600
Packaging plastic trays (devices with metal holders)	120	290	490
Tape and reel box (taping in reels)	400	310	410
Ammo-box (zigzag taping)	50	130	350

Vishay offers plastic and metal holder which have different characteristics:

- *Plastic Pros: nearly invisible behind the bezel*
- *Plastic Cons: cannot be reflow soldered, wave soldering deforms the hooks (visual issue only, the part is secured by the leads after soldering)*
- *Metal Pros: may be reflow and wave soldered, improves EMI and RF rejection*
- *Metal Cons: appears shiny behind the bezel, will oxidize over time (visual issue only, the holder functionality is not impaired)*