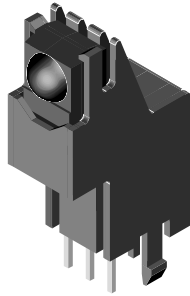
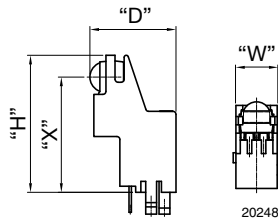


IR Receiver Modules for Remote Control Systems



16646



20248

FEATURES

- Compliant to RoHS Directive 2002/95/EC and in accordance to WEEE 2002/96/EC



AVAILABLE FOR:

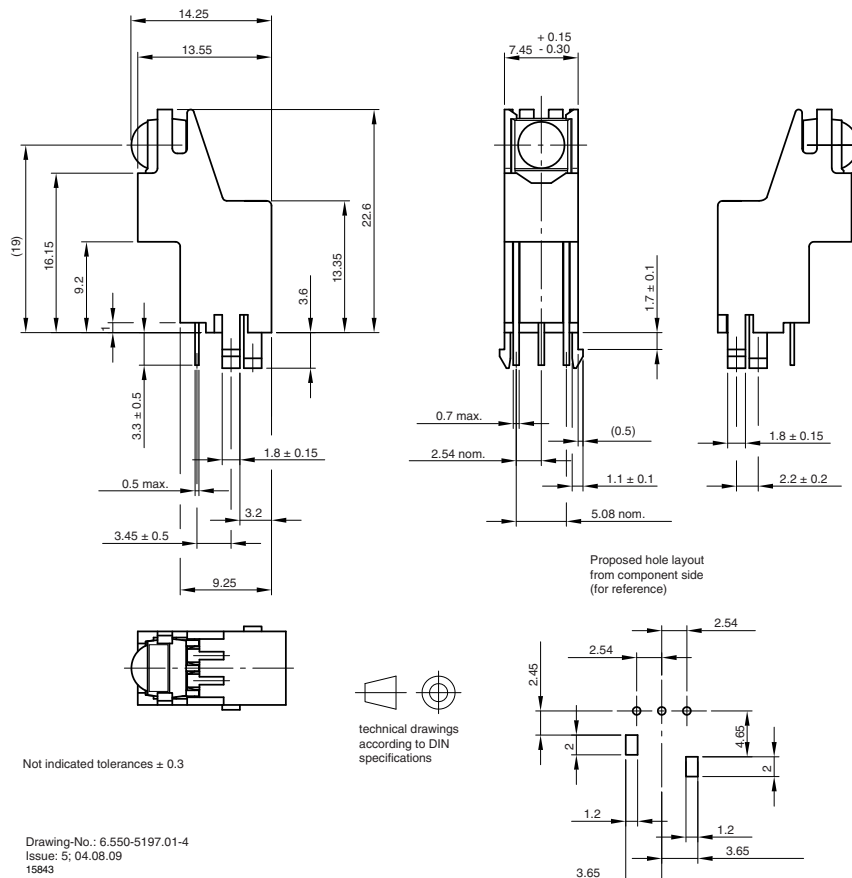
- TSOP34...
- TSOP4....
- TSOP32...
- TSOP2....



RoHS
COMPLIANT
GREEN
[5-2008]**

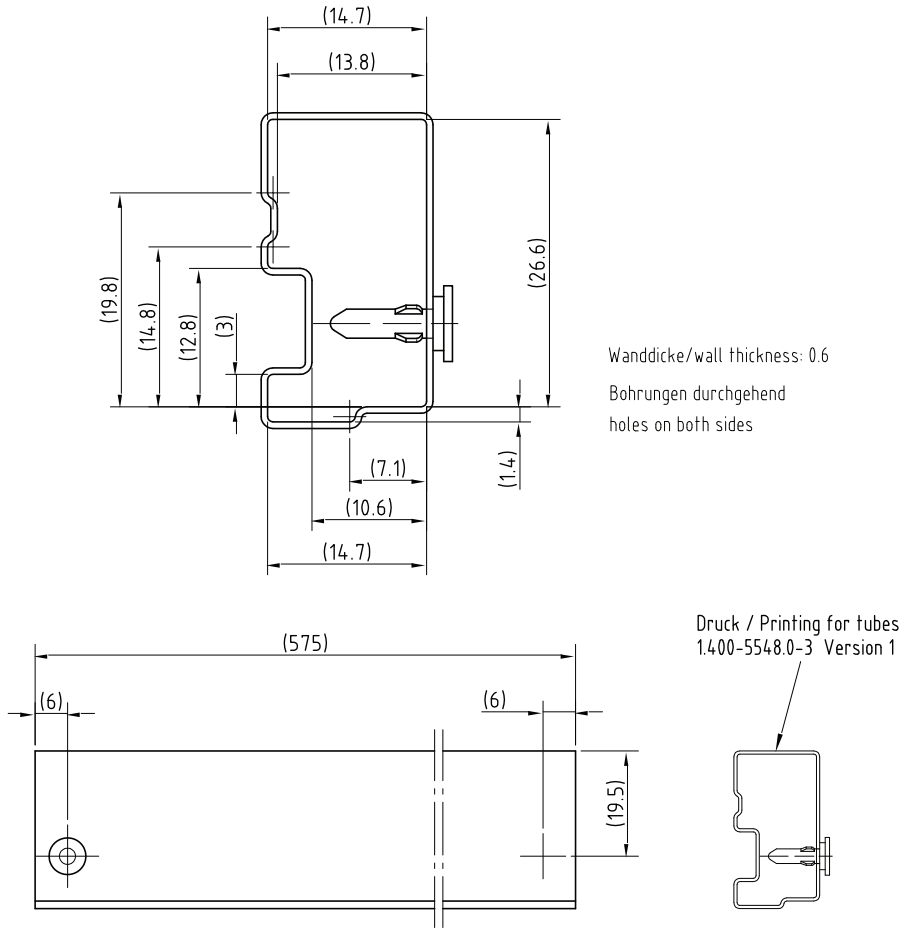
NAME	LENS AXIS (X)	VIEW	TYPE	HEIGHT (H)	WIDTH (W)	DEPTH (D)
WE1	19	Side	Holder	22.6	7.45	14.25

MECHANICAL DIMENSIONS in millimeters



** Please see document "Vishay Material Category Policy": www.vishay.com/doc?99902

PACKAGING DIMENSIONS in millimeters

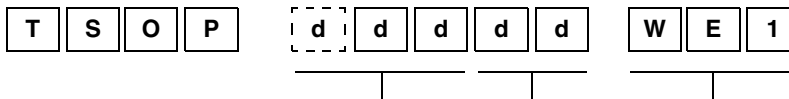


1:1

Drawing-No.: 9.700-5219.0-4
Rev. 5; Date: 20.11.03

20265-1

ORDERING INFORMATION



2 or 3 digit product series 2 digit frequency Holder type

Note

d = "digit", please consult the list of available series on the previous page to create a valid part number.

Example: TSOP14838WE1

PACKING QUANTITY

- 65 pieces per tube
- 18 tubes per carton