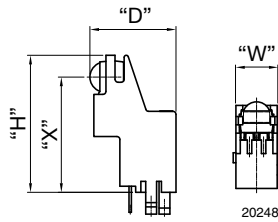
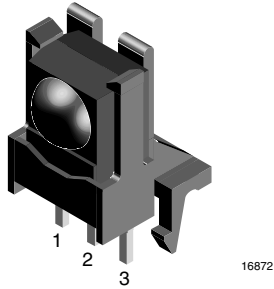


IR Receiver Modules for Remote Control Systems


FEATURES

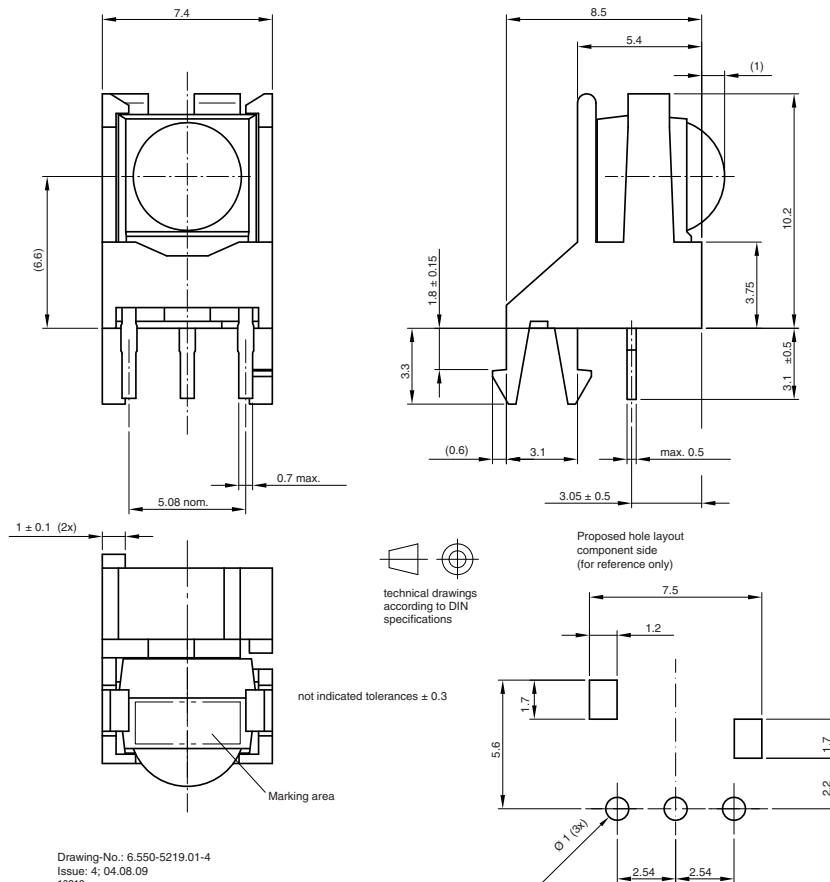
- Compliant to RoHS Directive 2002/95/EC and in accordance to WEEE 2002/96/EC


AVAILABLE FOR:

- TSOP34...
- TSOP4....
- TSOP32...
- TSOP2....



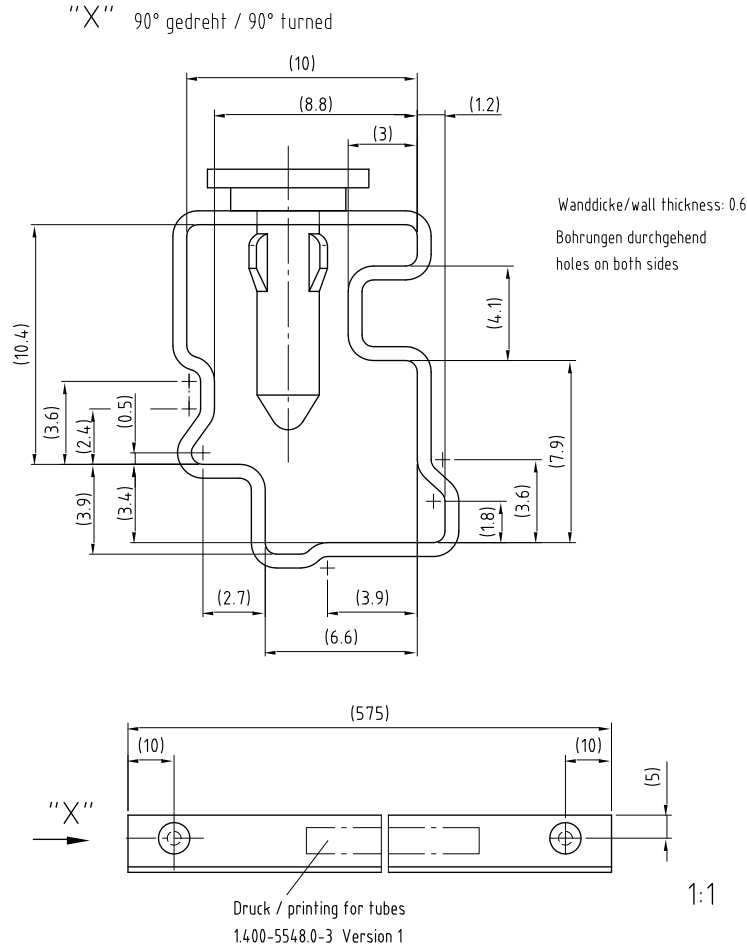
NAME	LENS AXIS (X)	VIEW	TYPE	HEIGHT (H)	WIDTH (W)	DEPTH (D)
VI1	6.6	Side	Holder	10.2	7.4	9.5

MECHANICAL DIMENSIONS in millimeters


Drawing-No.: 6.550-5219.01-4
Issue: 4; 04.08.09
16212

** Please see document "Vishay Material Category Policy": www.vishay.com/doc?99902

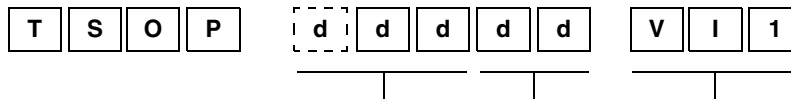
PACKAGING DIMENSIONS in millimeters



Drawing-No.: 9.700-5241.0-4
Rev. 3; Date: 20.11.03

20267-1

ORDERING INFORMATION



2 or 3 digit product series 2 digit frequency Holder type

Note

d = "digit", please consult the list of available series on the previous page to create a valid part number.

Example: TSOP14838VI1

PACKING QUANTITY

- 74 pieces per tube
- 48 tubes per carton