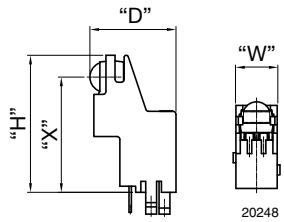
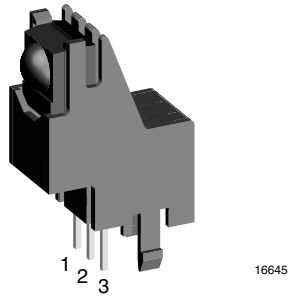


# IR Receiver Modules for Remote Control Systems


**FEATURES**

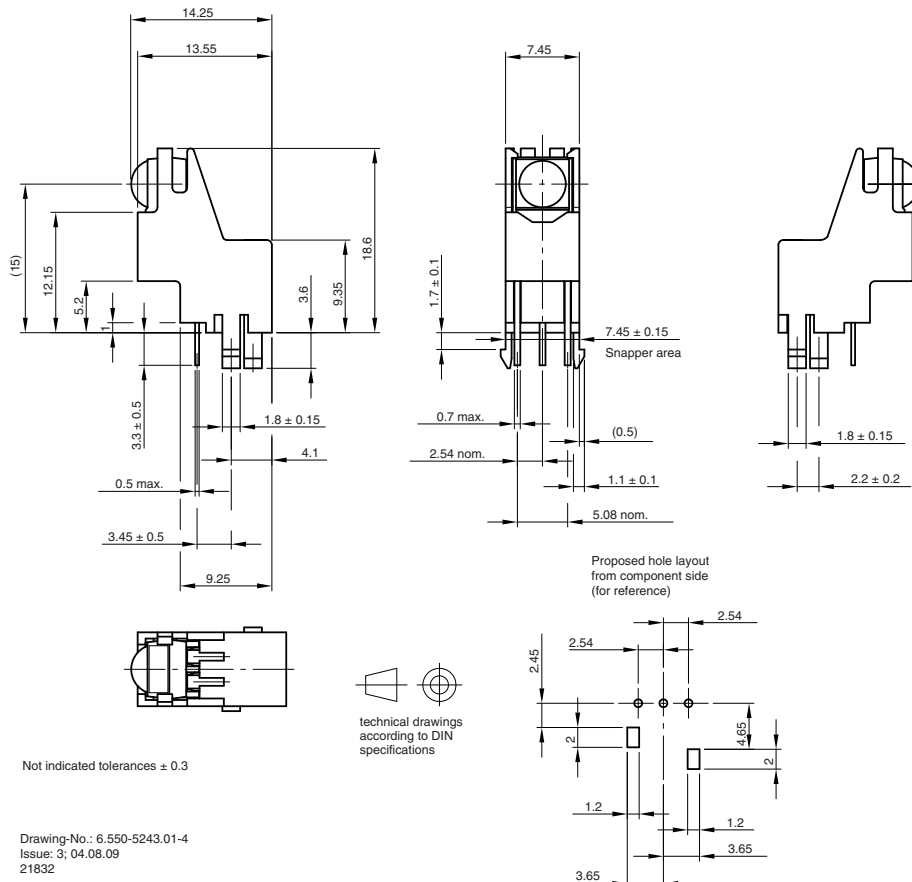
- Compliant to RoHS Directive 2002/95/EC and in accordance to WEEE 2002/96/EC


**AVAILABLE FOR:**

- TSOP34...
- TSOP4....
- TSOP32...
- TSOP2....

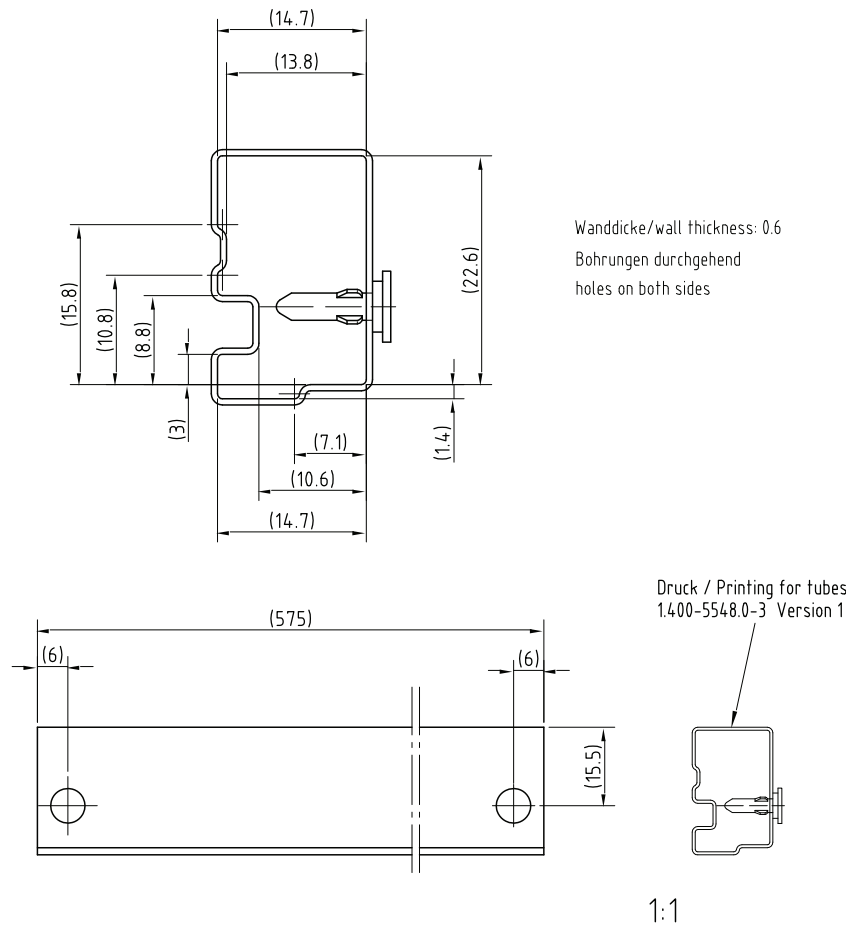


NAME	LENS AXIS (X)	VIEW	TYPE	HEIGHT (H)	WIDTH (W)	DEPTH (D)
KU1	15	Side	Holder	18.6	7.45	14.25

**MECHANICAL DIMENSIONS** in millimeters


\*\* Please see document "Vishay Material Category Policy": [www.vishay.com/doc?99902](http://www.vishay.com/doc?99902)

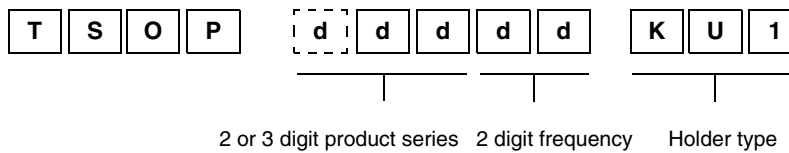
## PACKAGING DIMENSIONS in millimeters



Drawing-No.: 9.700-5261.0-4  
Rev. 4; Date: 20.11.03

20270-1

## ORDERING INFORMATION



### Note

d = "digit", please consult the list of available series on the previous page to create a valid part number.

**Example: TSOP14838KU1**

## PACKING QUANTITY

- 73 pieces per tube
- 20 tubes per carton