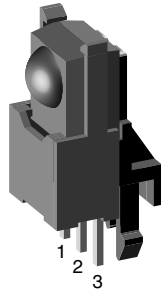
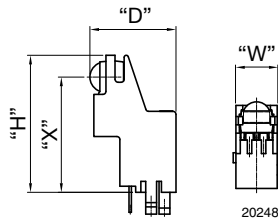


IR Receiver Modules for Remote Control Systems



17274



20248

FEATURES

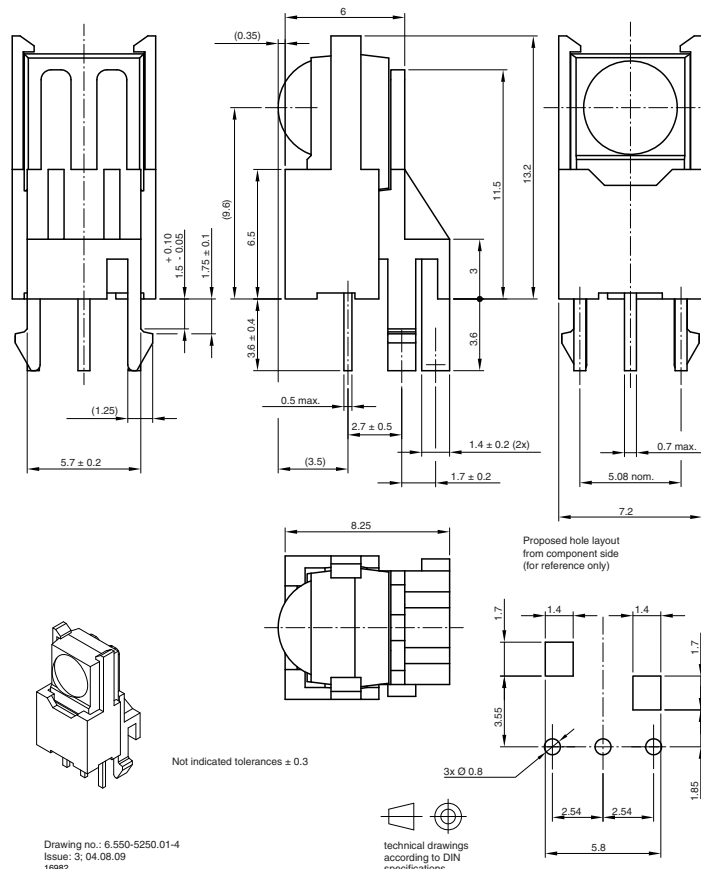
- Compliant to RoHS Directive 2002/95/EC and in accordance to WEEE 2002/96/EC


AVAILABLE FOR:

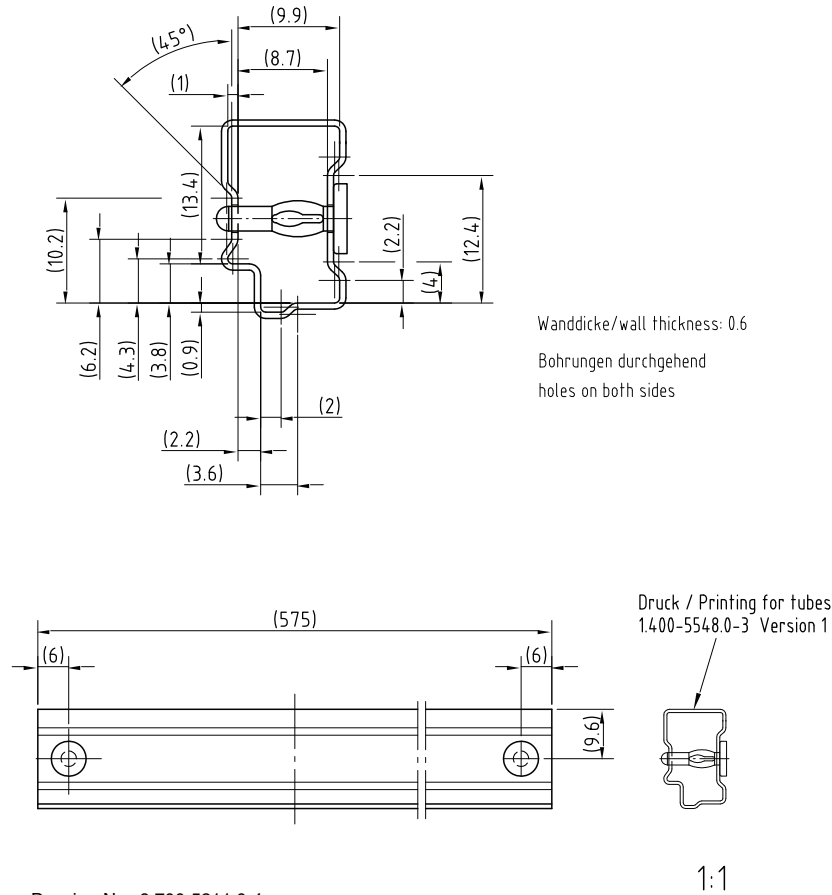
- TSOP34...
- TSOP4....
- TSOP32...
- TSOP2....


RoHS
 COMPLIANT
GREEN
 [5-2008]**

| NAME | LENS AXIS (X) | VIEW | TYPE | HEIGHT (H) | WIDTH (W) | DEPTH (D) |
|------|---------------|------|--------|------------|-----------|-----------|
| IV1 | 9.6 | Side | Holder | 13.2 | 7.2 | 8.6 |

MECHANICAL DIMENSIONS in millimeters

 ** Please see document "Vishay Material Category Policy": www.vishay.com/doc?99902

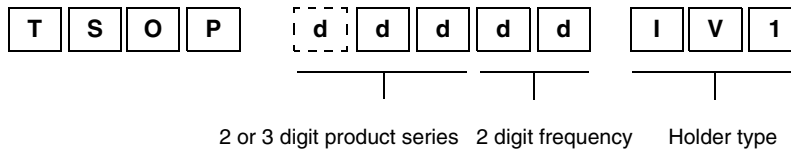
PACKAGING DIMENSIONS in millimeters



Drawing-No.: 9.700-5211.0-4
Rev. 10; Date: 20.11.03

20260-1

ORDERING INFORMATION



Note

d = "digit", please consult the list of available series on the previous page to create a valid part number.

Example: TSOP14838IV1

PACKING QUANTITY

- 72 pieces per tube
- 33 tubes per carton