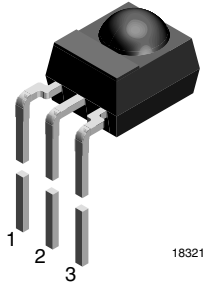
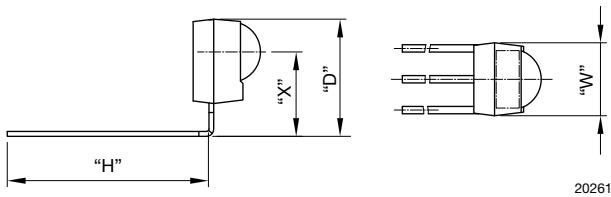


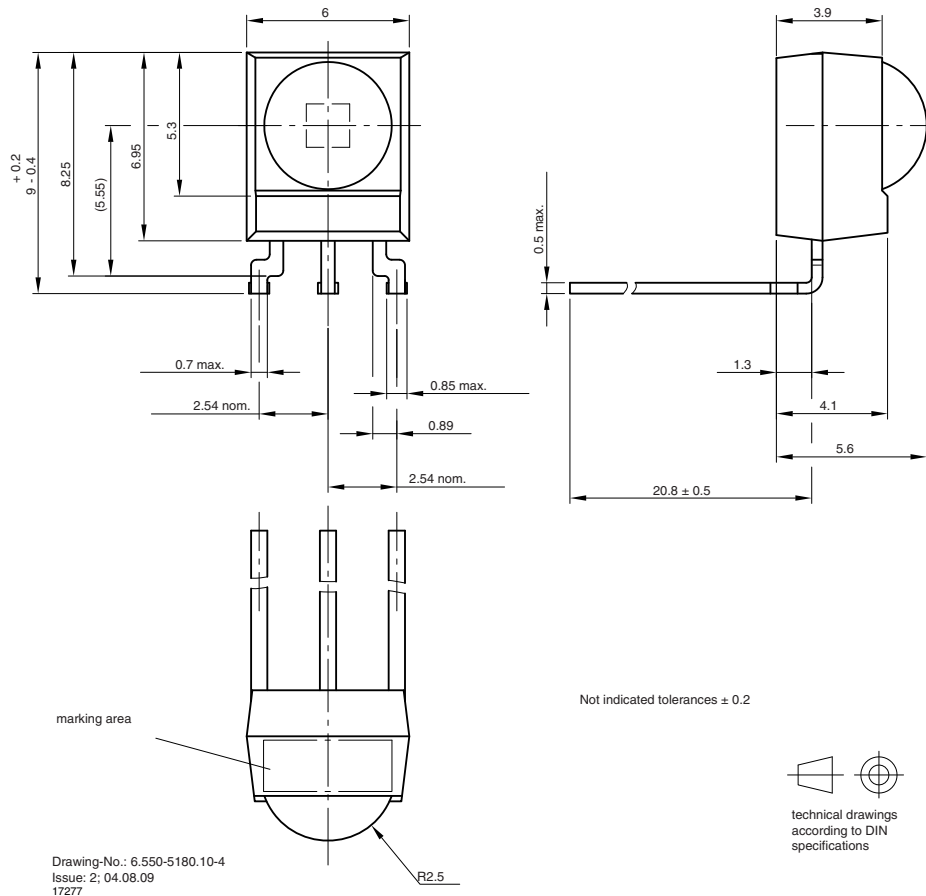
IR Receiver Modules for Remote Control Systems


AVAILABLE FOR:

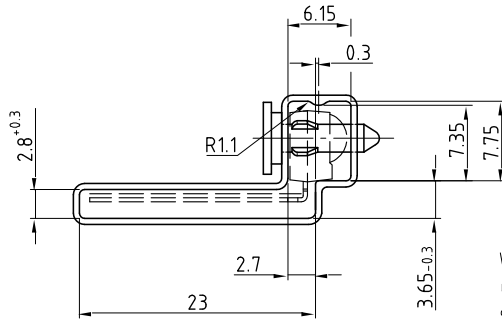
- TSOP34...
- TSOP4....
- TSOP32...
- TSOP2....



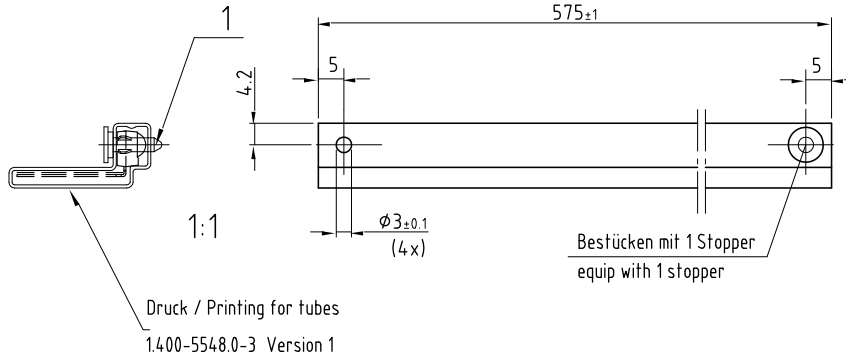
NAME	LENS AXIS (X)	VIEW	TYPE	HEIGHT (H)	WIDTH (W)	DEPTH (D)
SP1	6.3		Bend	20.8	6	9

MECHANICAL DIMENSIONS in millimeters


PACKAGING DIMENSIONS in millimeters



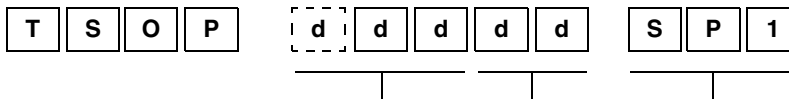
Wanddicke/wall thickness: 0.6 ^{+0.02}/_{-0.1}
 Geradheit/Straightness 2
 Schnittwinkel/cut 90° ±1°
 Innenradien/inner radii max 0.5
 Geprüft nach/approved to: LV 5145



Drawing-No.: 9.700-5275.0-4
 Rev. 2; Date: 20.11.03

20271

ORDERING INFORMATION



2 or 3 digit product series 2 digit frequency Holder type

Note

d = "digit", please consult the list of available series on the previous page to create a valid part number.

Example: TSOP14838SP1

PACKING QUANTITY

- 90 pieces per tube
- 32 tubes per carton