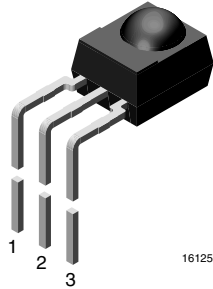
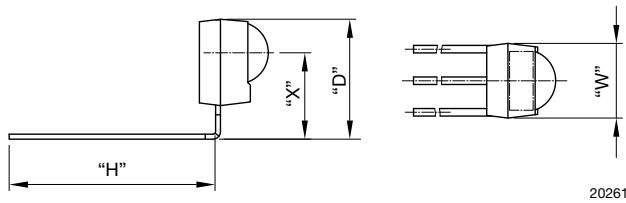


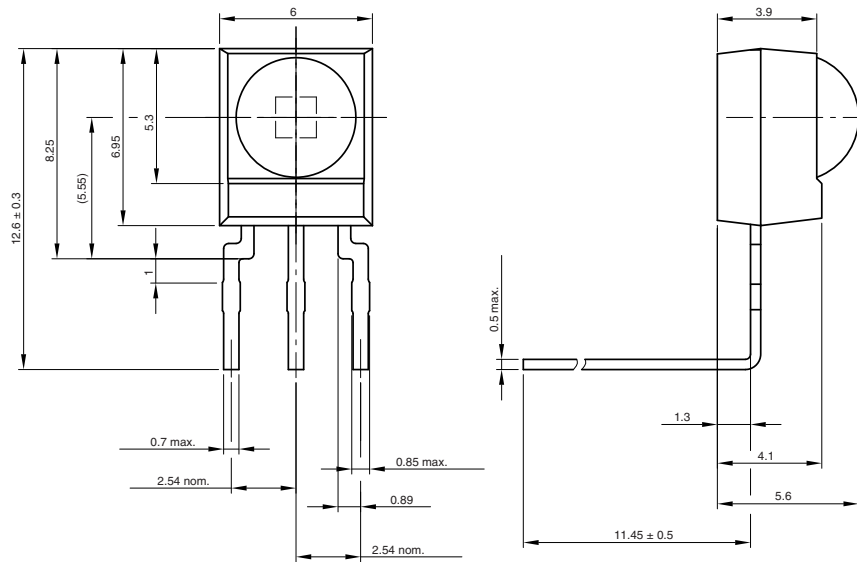
# IR Receiver Modules for Remote Control Systems


**AVAILABLE FOR:**

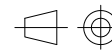
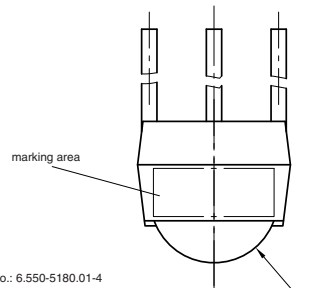
- TSOP34...
- TSOP4....
- TSOP32...
- TSOP2....



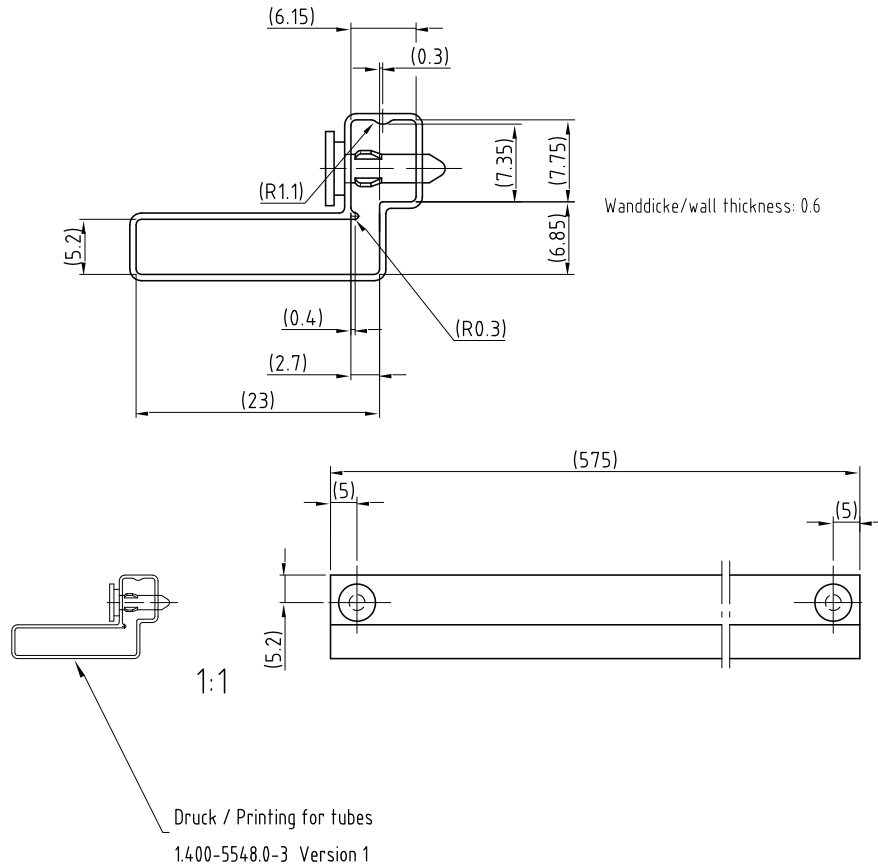
NAME	LENS AXIS (X)	VIEW	TYPE	HEIGHT (H)	WIDTH (W)	DEPTH (D)
SA1	9.9		Bend	11.45	6	12.6

**MECHANICAL DIMENSIONS** in millimeters


Not indicated tolerances ± 0.2


 technical drawings  
according to DIN  
specifications

 Drawing-No.: 6-550-5180.01-4  
Issue: 4; 04.08.09  
16075

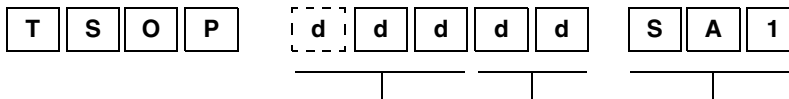
**PACKAGING DIMENSIONS** in millimeters



Drawing-No.: 9.700-5213.0-4  
Rev. 6; Date: 20.11.03

20262-1

**ORDERING INFORMATION**



2 or 3 digit product series    2 digit frequency    Holder type

**Note**

d = "digit", please consult the list of available series on the previous page to create a valid part number.

**Example: TSOP14838SA1**

**PACKING QUANTITY**

- 90 pieces per tube
- 24 tubes per carton