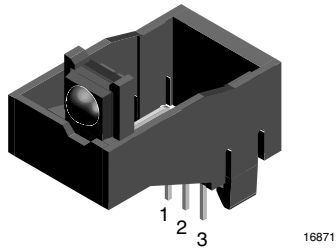
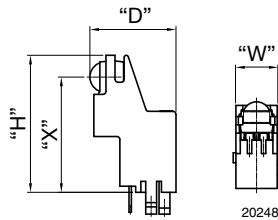


IR Receiver Modules for Remote Control Systems



16871



20248

FEATURES

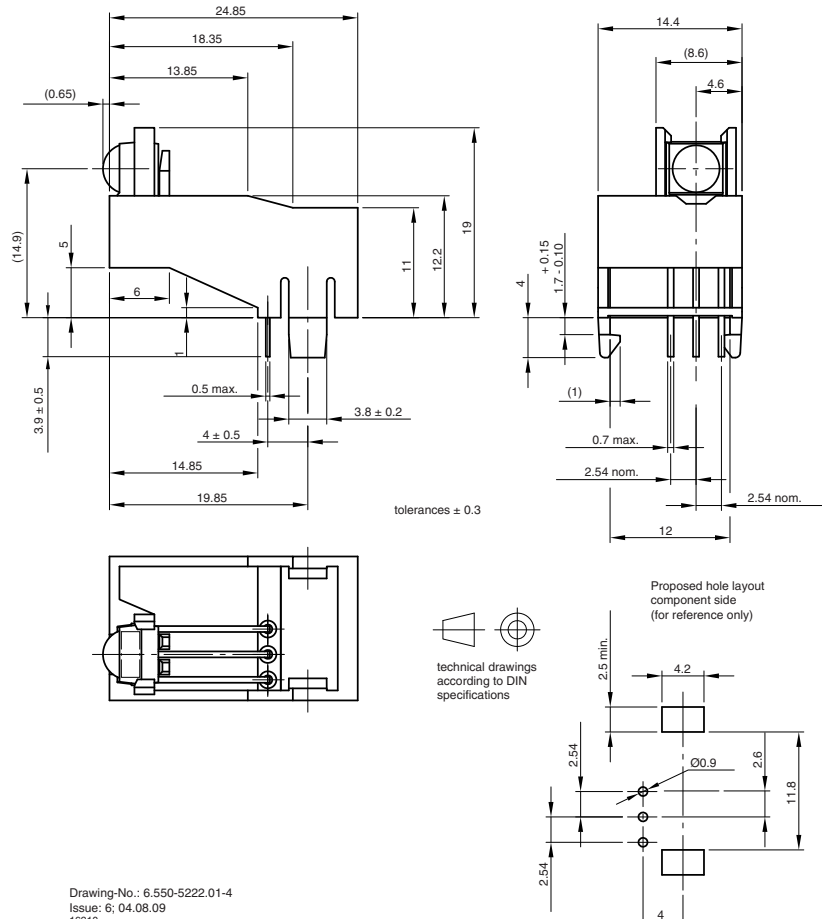
- Compliant to RoHS Directive 2002/95/EC and in accordance to WEEE 2002/96/EC


RoHS
 COMPLIANT
GREEN
 [5-2008]**

AVAILABLE FOR:

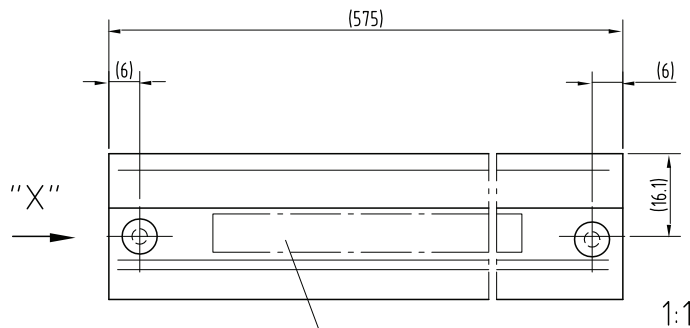
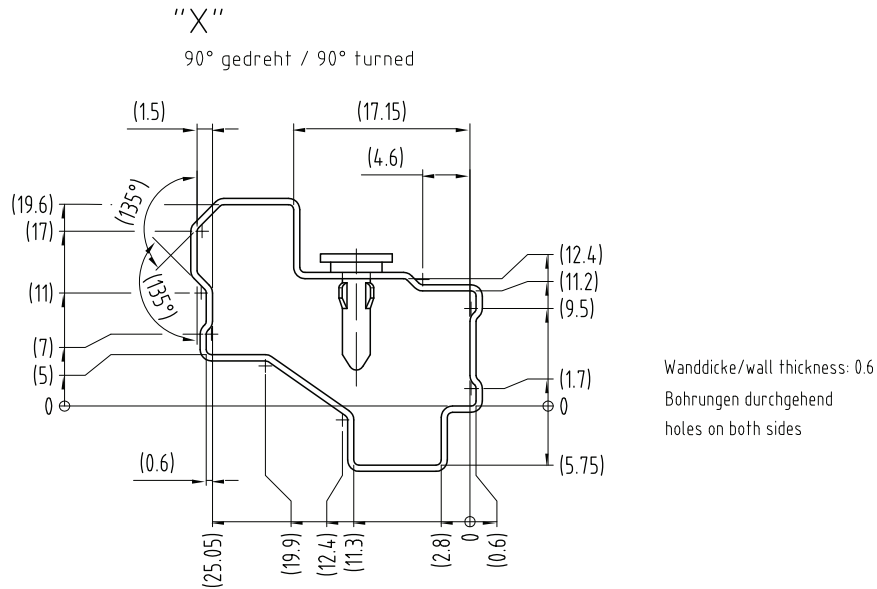
- TSOP34...
- TSOP4....
- TSOP32...
- TSOP2....

NAME	LENS AXIS (X)	VIEW	TYPE	HEIGHT (H)	WIDTH (W)	DEPTH (D)
NN1	14.9	Side	Holder	19	14.4	25.5

MECHANICAL DIMENSIONS in millimeters

 Drawing-No.: 6.550-5222.01-4
 Issue: 6; 04.08.09
 16210

 ** Please see document "Vishay Material Category Policy": www.vishay.com/doc?99902

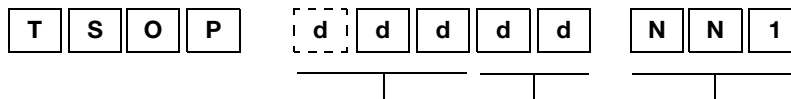
PACKAGING DIMENSIONS in millimeters



Drawing-No.: 9.700-5243.0-4
Rev. 3; Date: 20.11.03
20269-1

Druck / Printing for tubes
1.400-5548.0-3 Version 1

ORDERING INFORMATION



2 or 3 digit product series 2 digit frequency Holder type

Note

d = "digit", please consult the list of available series on the previous page to create a valid part number.

Example: TSOP14838NN1

PACKING QUANTITY

- 38 pieces per tube
- 15 tubes per carton