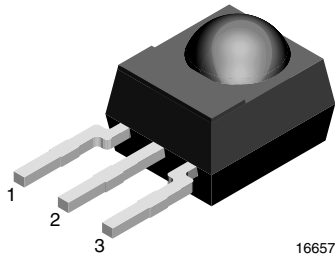
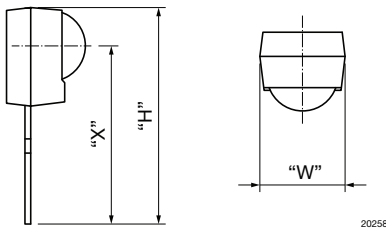


**Cut Leads:**  
**H = 12.35 mm, W = 6 mm, X = 9.65 mm**


**AVAILABLE FOR**

- Mold


**LINKS TO ADDITIONAL RESOURCES**

[Product Page](#)

[3D Models](#)

[Calculators](#)

[Marking](#)

[Packages](#)

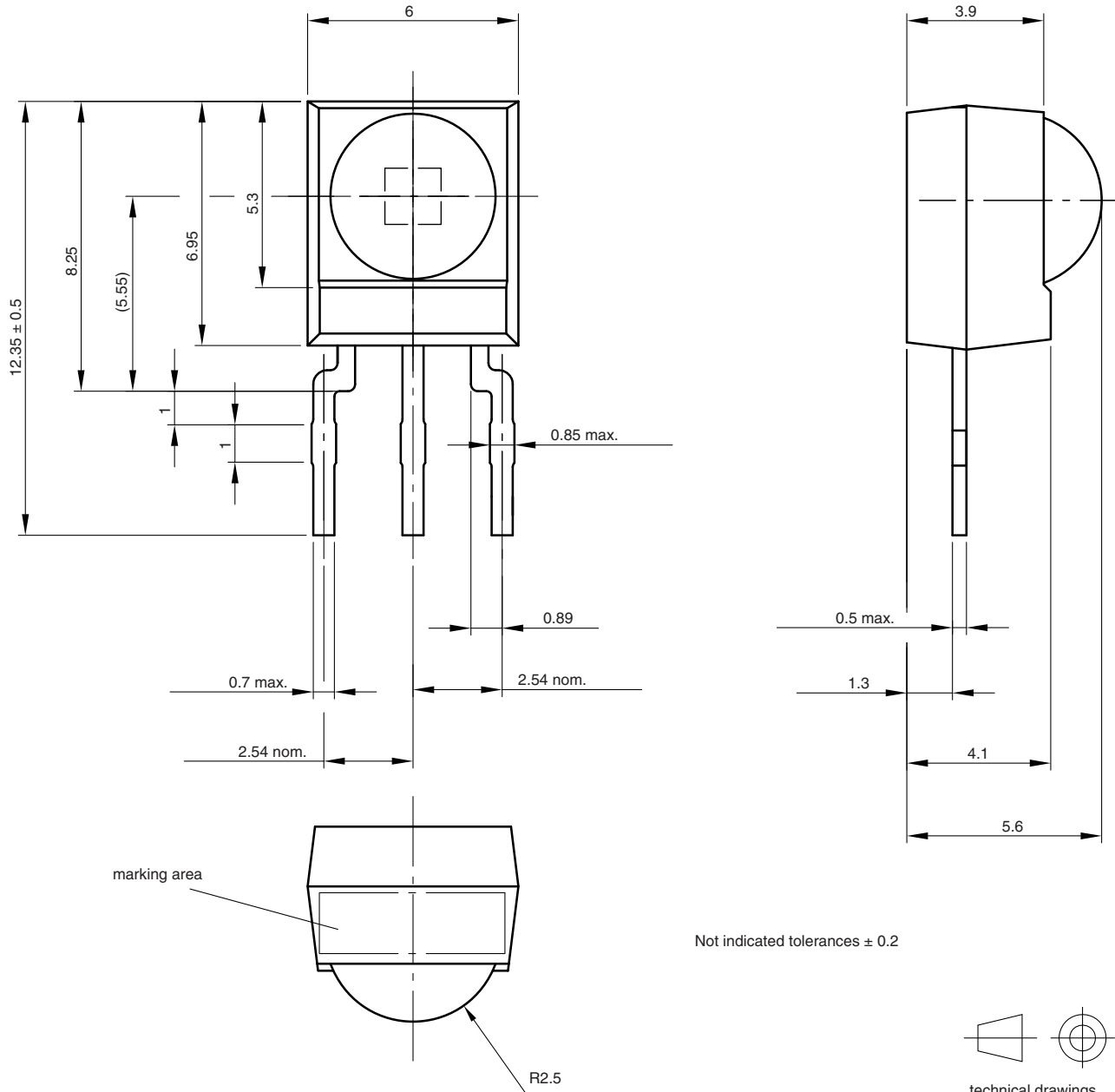
[Holders](#)

[Bends and Cuts](#)

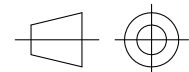
NAME	LENS AXIS (X)	VIEW	TYPE	HEIGHT (H)	WIDTH (W)	DEPTH (D)
SI1	9.65	-	Cut	12.35	6	-



**MECHANICAL DIMENSIONS** in millimeters



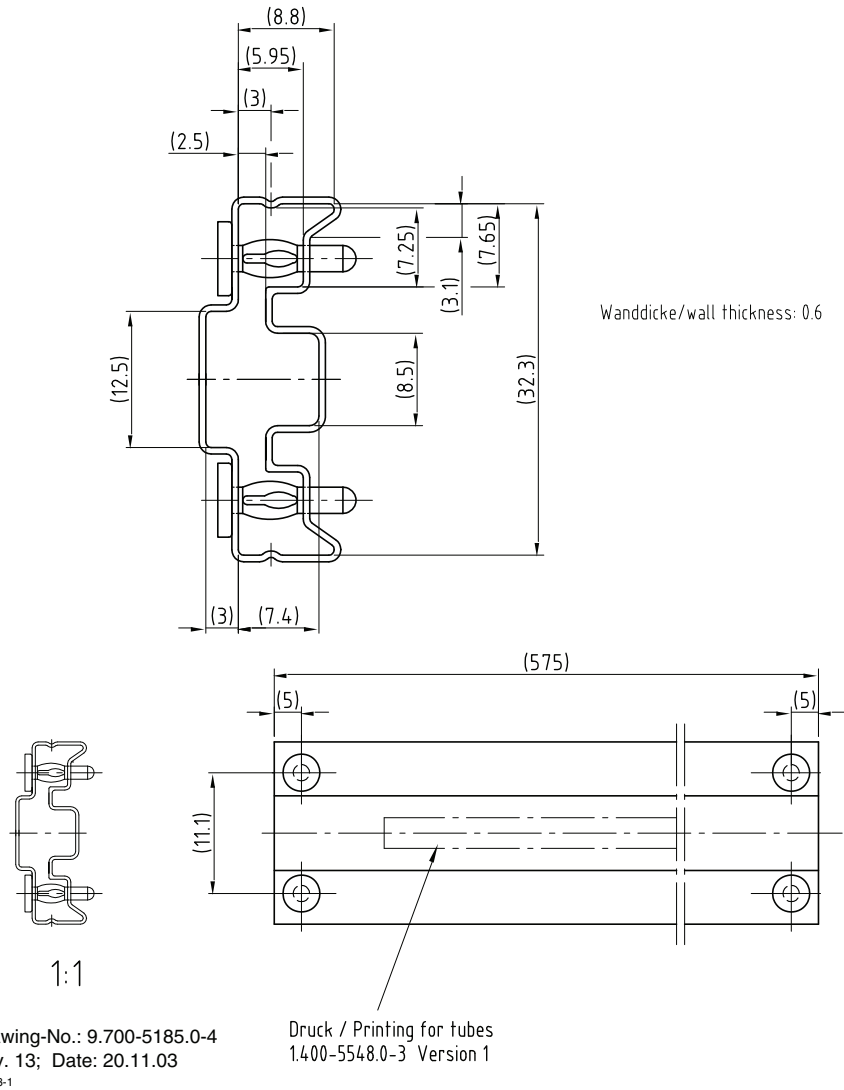
Not indicated tolerances  $\pm 0.2$



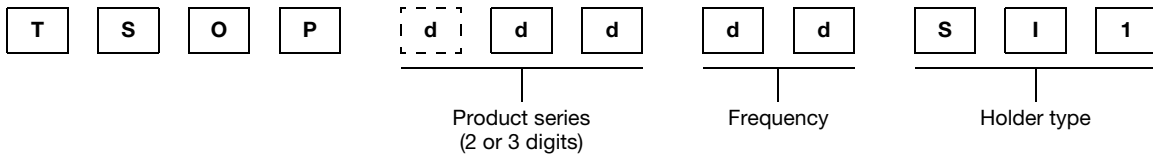
technical drawings according to DIN specifications

Drawing-No.: 6.550-5169.04-4  
Issue: 5; 04.08.09  
16248

**PACKAGING DIMENSIONS** in millimeters



**ORDERING INFORMATION**



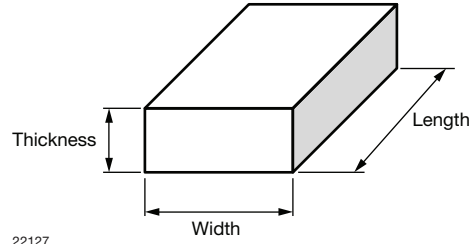
**Note**

- d = "digit", please consult the list of available series on the previous page to create a valid part number

**Example: TSOP14538SI1**

**PACKAGING QUANTITY**

- 90 pieces per tube
- 24 tubes per carton

**OUTER PACKAGING**
**CARTON BOX DIMENSIONS** in millimeters


KINDS OF CARTON BOX	THICKNESS	WIDTH	LENGTH
Packaging plastic tubes (normal / auxiliary devices)	80	150	600
Packaging plastic trays (devices with metal holders)	120	290	490
Tape and reel box (taping in reels)	400	310	410
Ammo-box (zigzag taping)	50	130	350