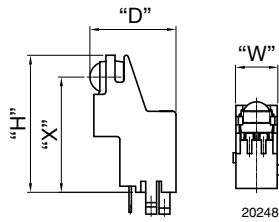
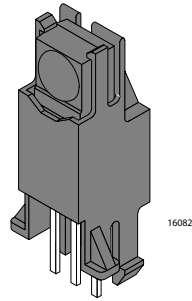


# IR Receiver Modules for Remote Control Systems


**FEATURES**

- Compliant to RoHS Directive 2002/95/EC and in accordance to WEEE 2002/96/EC

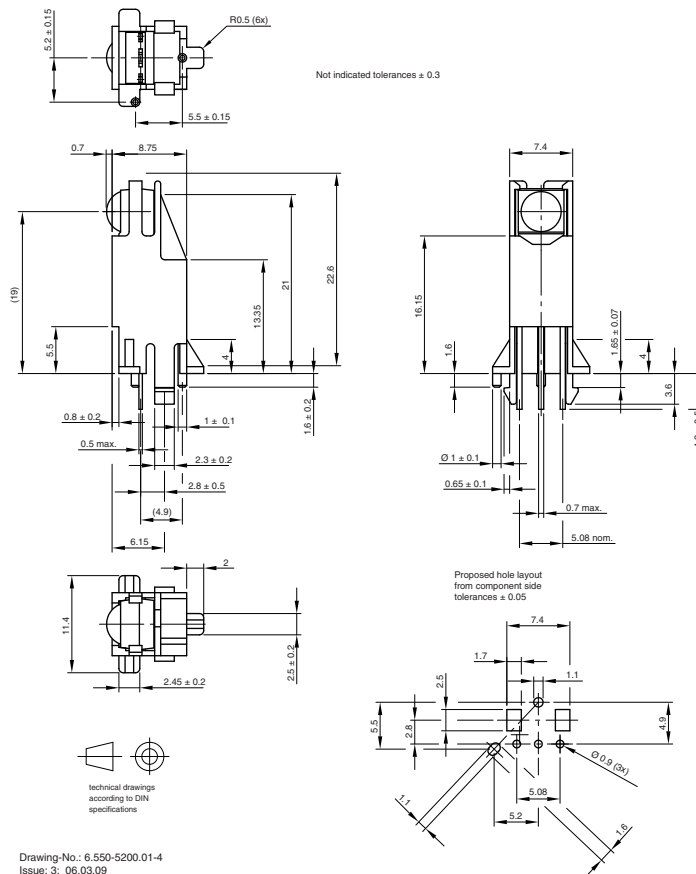


**RoHS**  
COMPLIANT  
**GREEN**  
[5-2008]\*\*

**AVAILABLE FOR:**

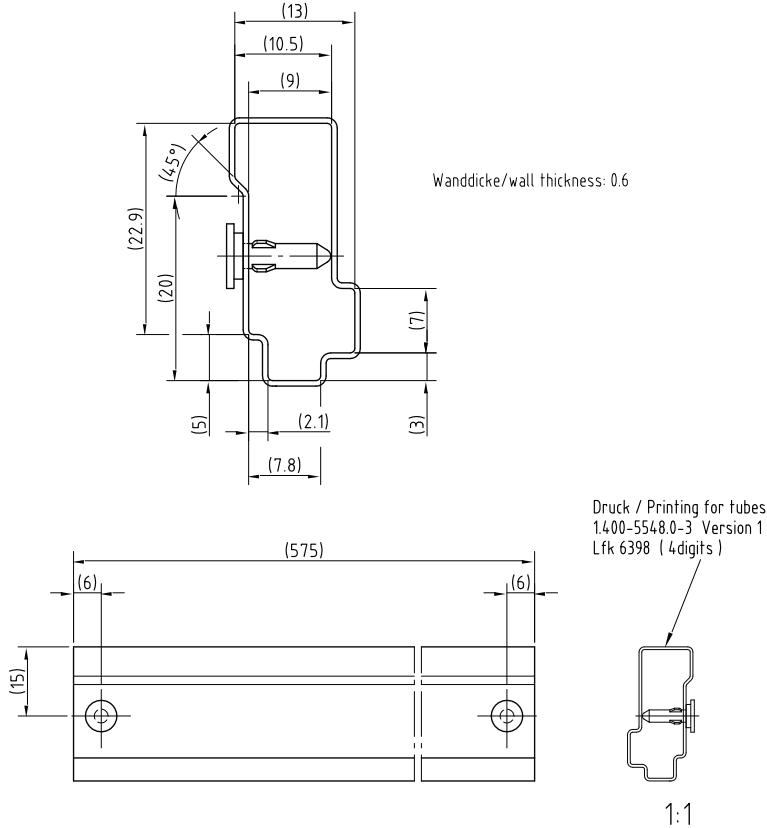
- TSOP34...
- TSOP4....
- TSOP32...
- TSOP2....

NAME	LENS AXIS (X)	VIEW	TYPE	HEIGHT (H)	WIDTH (W)	DEPTH (D)
XG1	19	Side	Holder	22.6	7.4	11.4

**MECHANICAL DIMENSIONS** in millimeters


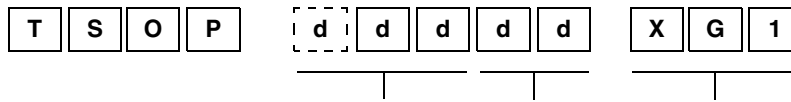
\*\* Please see document "Vishay Material Category Policy": [www.vishay.com/doc?99902](http://www.vishay.com/doc?99902)

**PACKAGING DIMENSIONS** in millimeters



Drawing-No.: 9.700-5207.0-4  
 Rev. 10; Date: 20.11.03  
 20315-1

**ORDERING INFORMATION**



2 or 3 digit product series    2 digit frequency    Holder type

**Note**

d = "digit", please consult the list of available series on the previous page to create a valid part number.

**Example: TSOP14838XG1**

**PACKING QUANTITY**

- 47 pieces per tube
- 18 tubes per carton