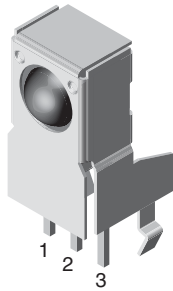
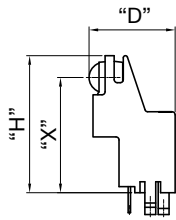


IR Receiver Modules for Remote Control Systems



18552



20248

FEATURES

- Compliant to RoHS Directive 2002/95/EC and in accordance to WEEE 2002/96/EC

Note

** Please see document "Vishay Material Category Policy": www.vishay.com/doc?99902



RoHS COMPLIANT

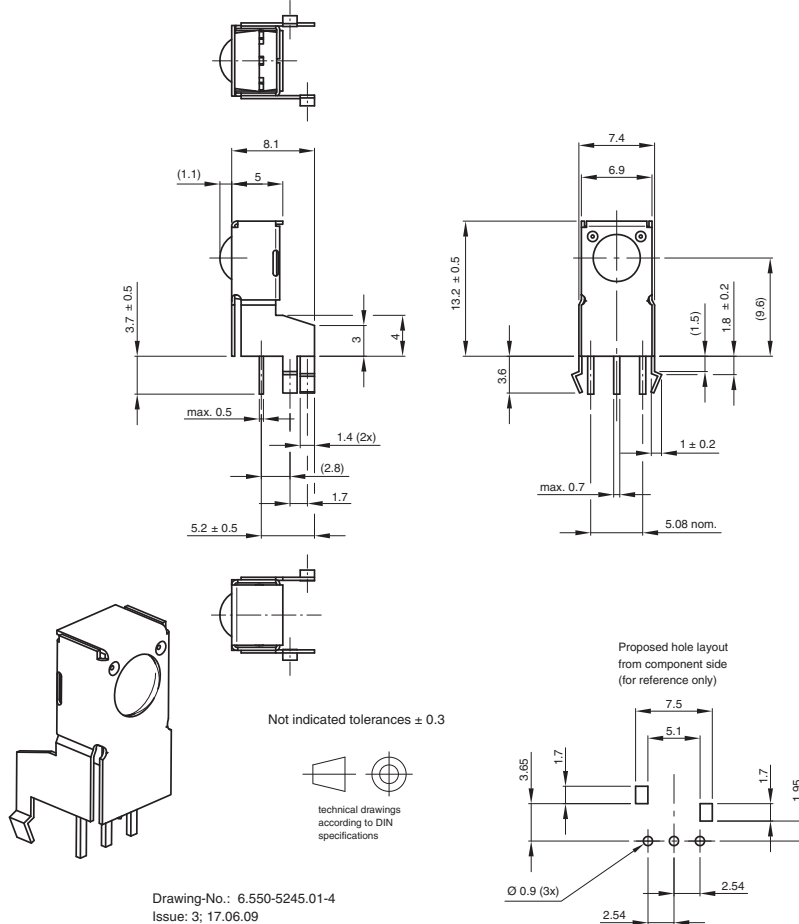
GREEN (5-2008)**

AVAILABLE FOR:

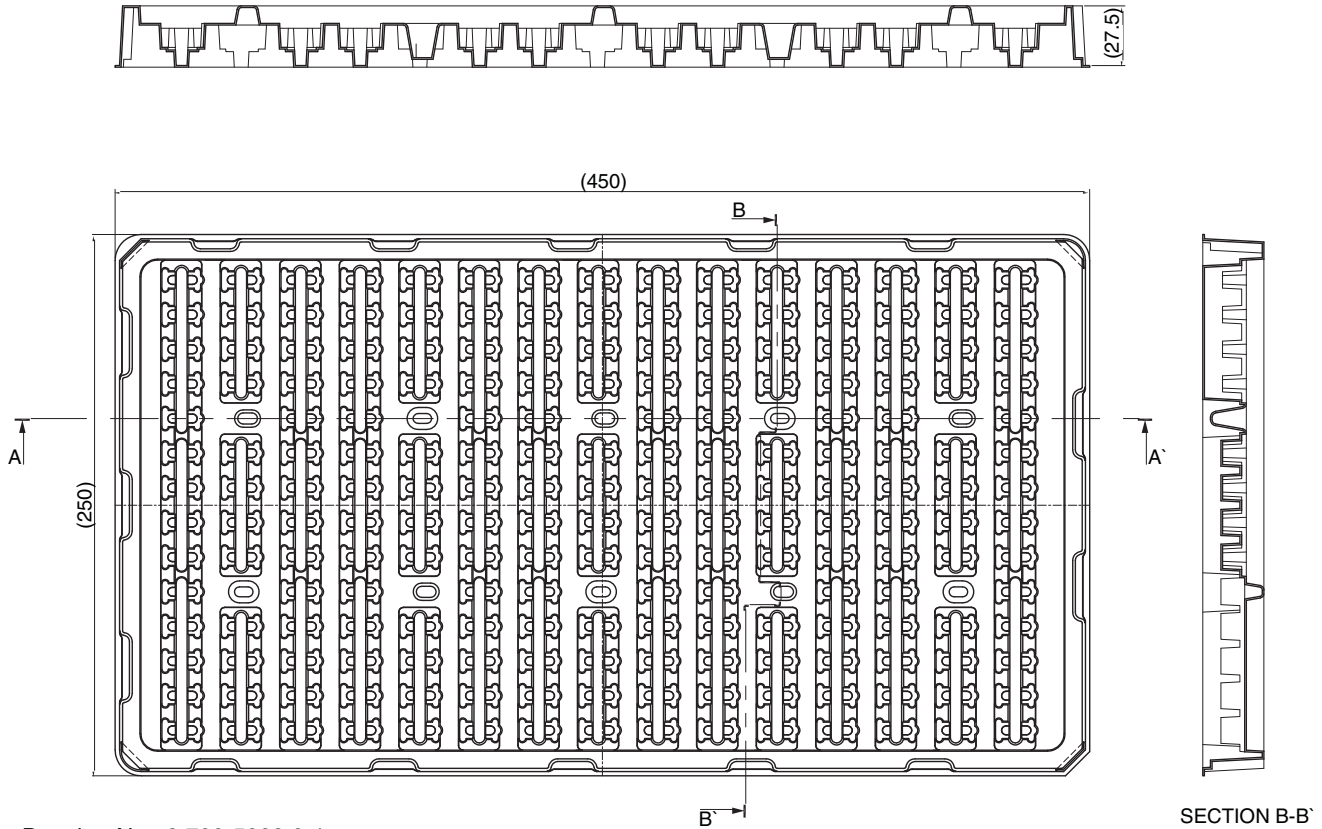
- TSOP34...
- TSOP4...
- TSOP32...
- TSOP2....

NAME	LENS AXIS (X)	VIEW	TYPE	HEIGHT (H)	WIDTH (W)	DEPTH (D)
JH1	9.6	Side	Holder	13.2	7.4	9.2

MECHANICAL DIMENSIONS in millimeters

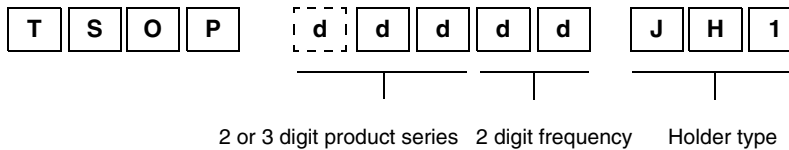


PACKAGING DIMENSIONS in millimeters



Drawing-No.: 9.700-5229.0-1
 Rev. 2; Date: 07.07.03
 20274-1

ORDERING INFORMATION



Note

d = "digit", please consult the list of available series on the previous page to create a valid part number.

Example: TSOP14838JH1

PACKING QUANTITY

- 200 pieces per tray
- 5 trays per carton